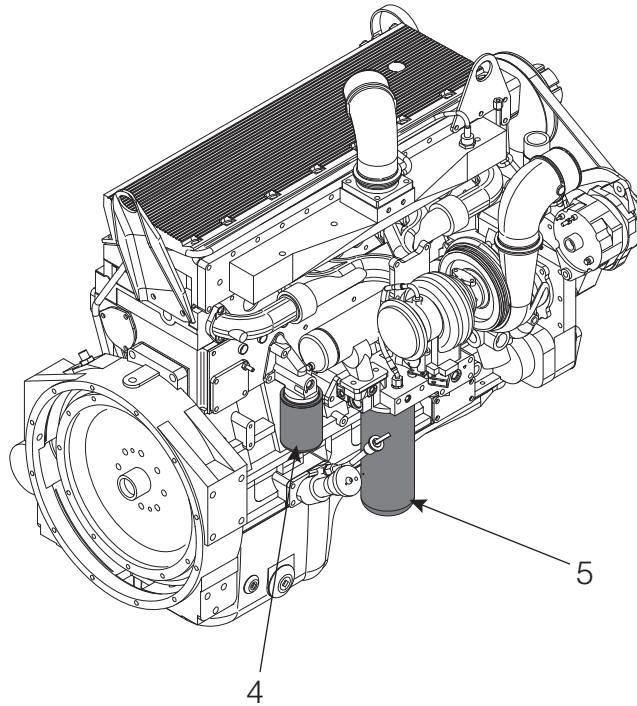
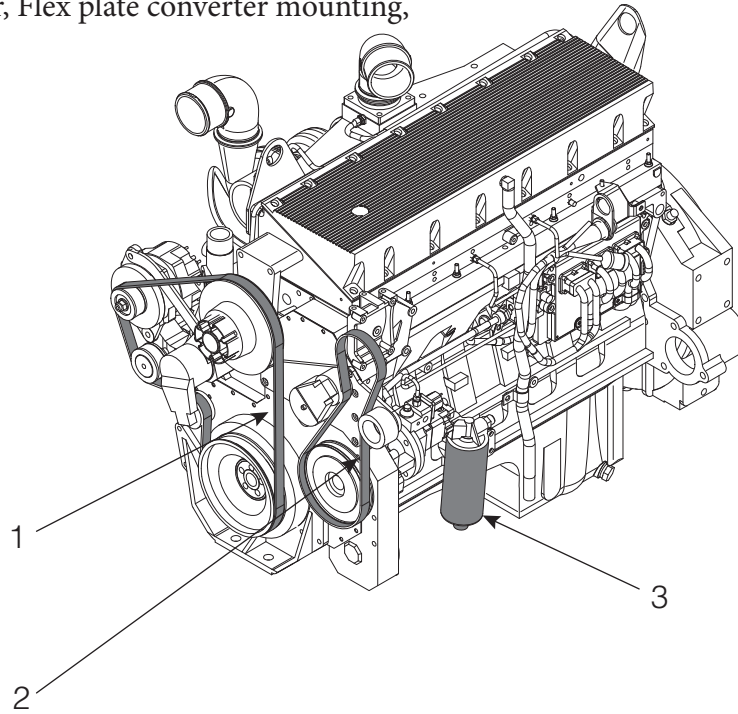


Engine

ENGINE, QSM11-360HP @ 2100 rpm, LMRO TURBO
 12V 160 amp Alternator, Flex plate converter mounting,
 16" flexplate.



Item	Part No.	Qty	Description	Item	Part No.	Qty	Description
	587761		Engine				
1	254120	1	. Serpentine Belt				
2	588693	1	. Alternator Belt				
3	587677	1	. Fuel Filter				
4	232153	1	. Coolant Filter				
5	588694	1	. Oil Filter				