

---

Hydraulic System, Chassis

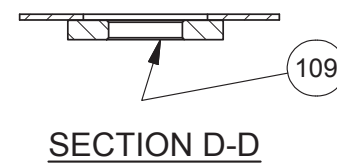
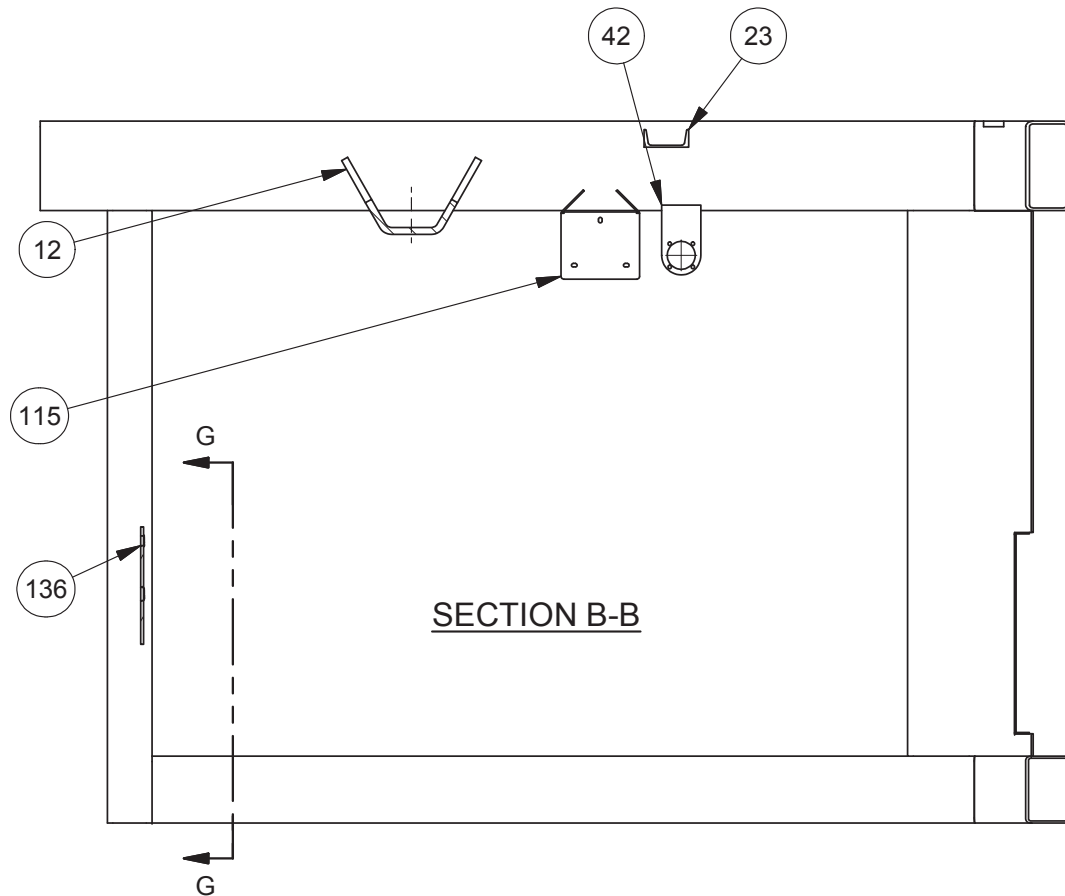
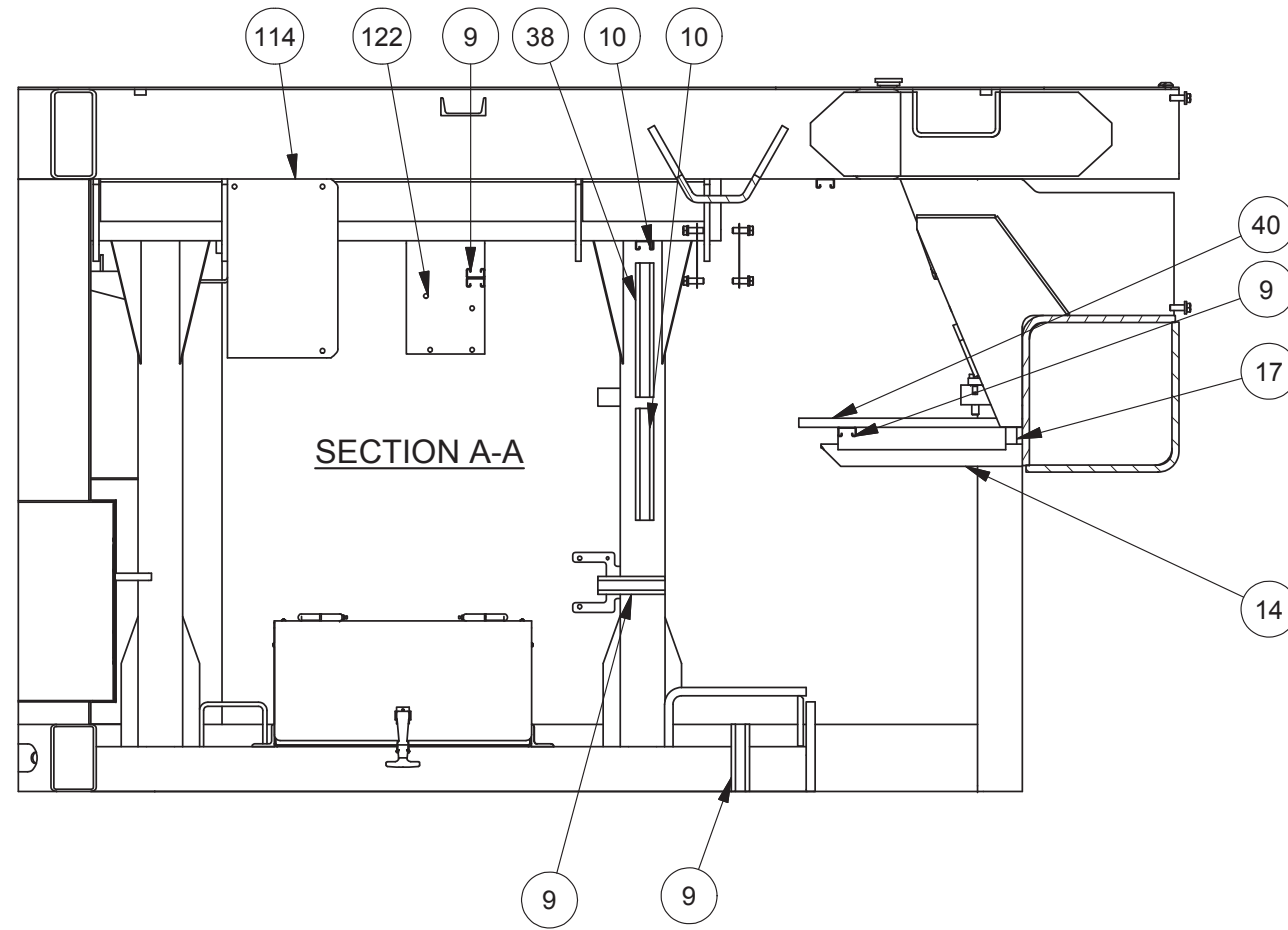
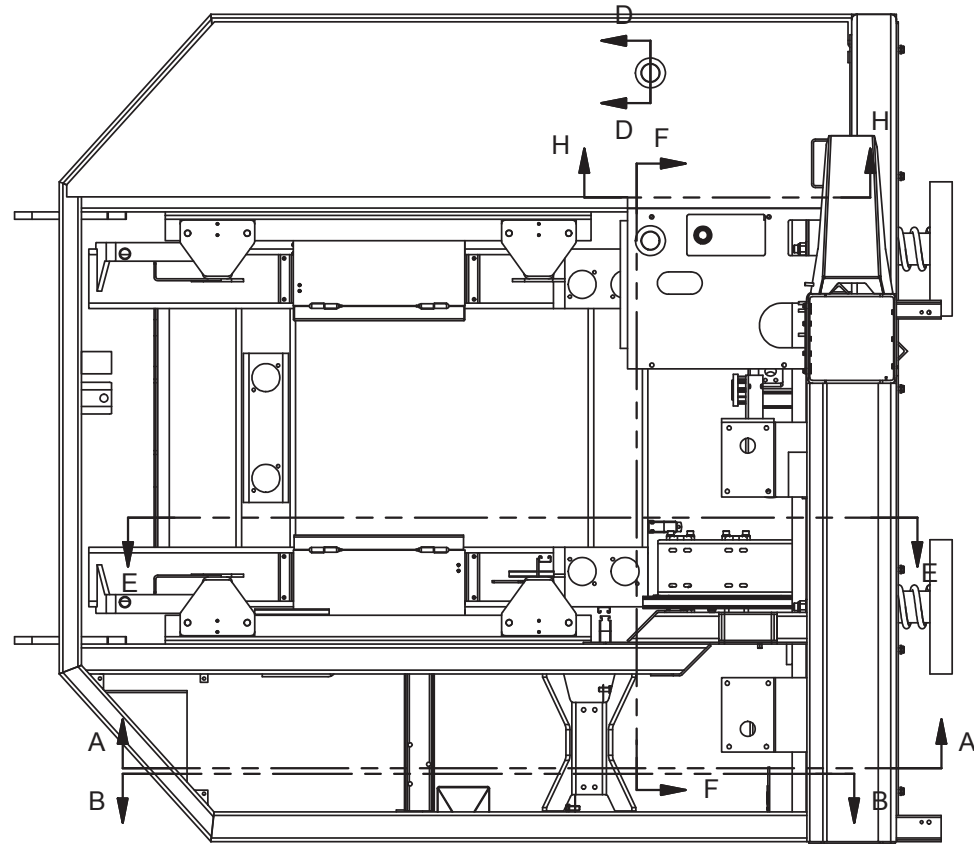
## Hydraulic System, Chassis

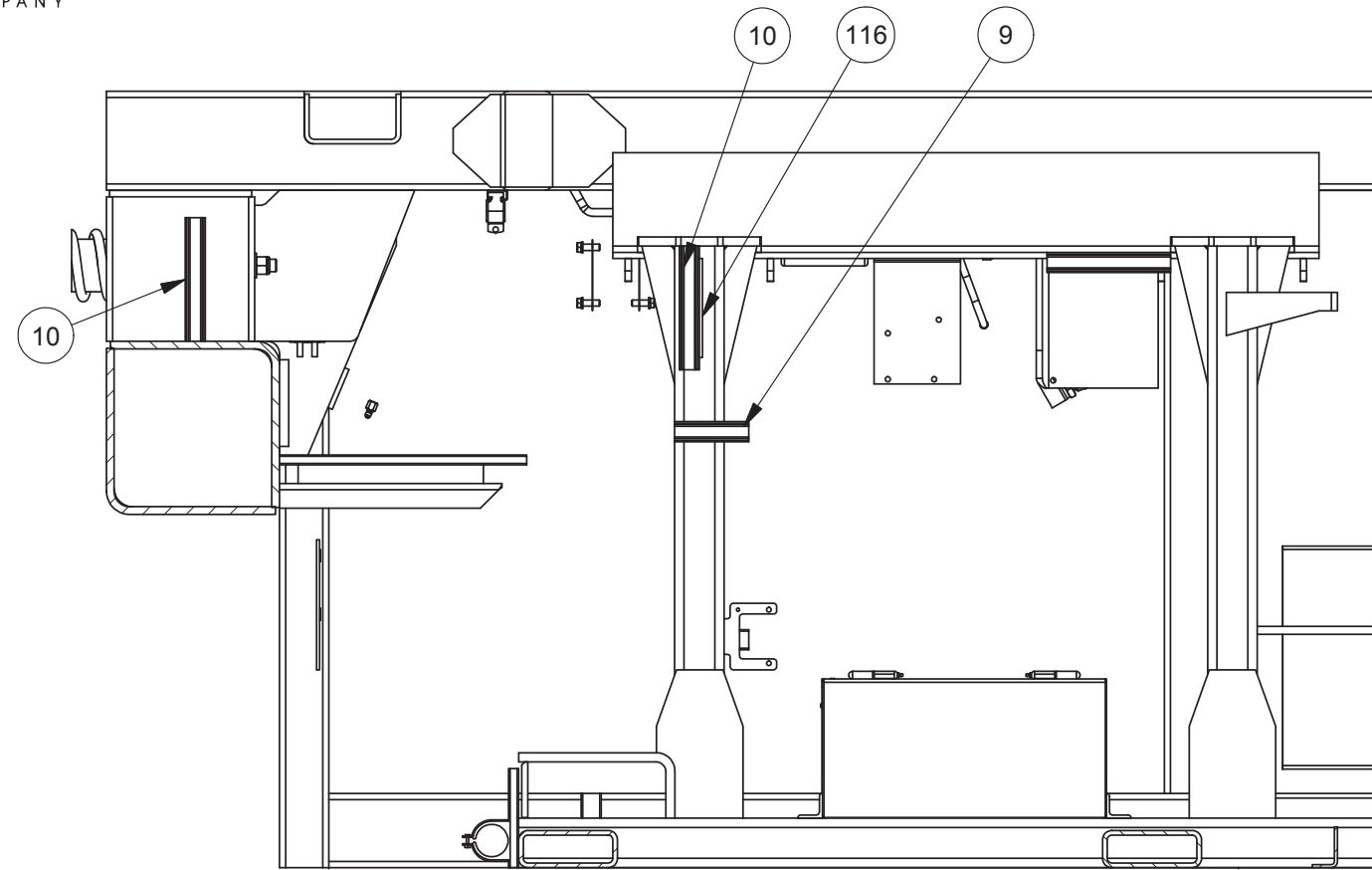
Item	Part No.	Qty	Description	Item	Part No.	Qty	Description
	<b>587749</b>		<b>Hydraulic System, Chassis</b>				
1	* 234990	1	. Valve, Flow Amplifier	65	209406	1	. Fitting
2	* 236055	2	. Steering Unit	66	26842	1	. Fitting
3	* 253982	1	. Valve	67	583585	1	. Plate,Flange
4	* 587385	2	. Pressure Filter	68	240828	1	. Fitting
5	254171	1	. Check Valve	69	218666	1	. Fitting
6	254173	1	. Check Valve	70	210769	1	. Fitting
7	030-1028	1	. Valve, Gauge Iso	71	209752	8	. Fitting
8	* 030-1030	1	. Manifold,Strg Shuttle	72	210767	1	. Fitting
9	572900	6	. Channel	73	12666	1	. Fitting
10	572901	6	. Channel	74	17059W	1	. Fitting
11	* 583388	1	. Manifold,Load Hold	75	209083	2	. Fitting
12	004-1648	1	. Bracket,Mounting	76	209486	1	. Fitting
13	* 400-0009	1	. Flow Divider Group	77	28574	1	. Fitting
14	588028	1	. Plate, Mounting	78	12660	1	. Fitting
15	* 583364	1	. Tank Assembly,Hydraulic	79	R13811153	4	. Capscrew
16	* 578813	1	. Manifold Assembly	80	228048	1	. Fitting
17	578814	1	. Plate	81	209166	1	. Fitting
18	* 575574	1	. Manifold Assembly	82	212718	1	. Fitting
19	244051	5	. Clamp	83	209805	12	. Fitting
20	231249	4	. Clamp	84	231537	1	. Clamp
21	229447	8	. Kit, Split Flange	85	238429	31	. Clamp
	203438	1	. O-Ring	86	222832	1	. Fitting
	236972	2	. Clamp Half	87	209490	4	. Fitting
	Y17C-0624	4	. Capscrew	88	209080	1	. Fitting
22	* 575580	1	. Manifold Assembly	89	223570	1	. Fitting
23	575585	1	. Channel	90	209715	1	. Fitting
24	575586	1	. Pad, Tap	91	209133	3	. Fitting
25	231248	4	. Clamp	94	211560	2	. Fitting
26	588077	1	. Tube Assembly	95	223783	1	. Fitting
27	120-0188	1	. Gauge	96	209142	1	. Fitting
28	231250	22	. Clamp	97	209714	3	. Fitting
29	253983	1	. Ball Valve	98	CLP0100200	4	. Clamp, Hydraulicra-Zorb
30	253984	1	. Ball Valve	99	229666	1	. Fitting
31	253985	1	. Fitting	100	209139	1	. Fitting
32	253986	1	. Fitting	101	14274	1	. Fitting
33	583367	1	. Manifold Assembly	102	Y19C-M14150	4	. Capscrew
34	242821	2	. Fitting,	103	254214	1	. Fitting, Ff
35	587589	8	. Stud	104	588653	1	. Coupler, Male
36	563204	8	. Spacer	105	240396	1	. Coupler, Female
37	R13804046	2	. O-Ring	106	588652	1	. Coupler, Male
38	572768	2	. Channel	107	227645	1	. Coupler, Female
39	572903	7	. Channel	108	211817	1	. Fitting
40	576641	1	. Channel	109	578836	4	. Plate,Support
41	588029	1	. Plate, Brace	110	239142	6	. Mount, Isolator
42	575429	1	. Bracket	111	082-0365	4	. Washer
43	* 588072	1	. Manifold Assembly	112	583570	1	. Plate,Mounting
44	* 588073	1	. Manifold Assembly	113	583571	1	. Plate,Mounting
45	588074	1	. Plate, Flange	114	583869	1	. Plate,Mounting
46	245847	1	. Check Valve	115	575345	1	. Bracket
47	587963	2	. Kit, Split Flange	116	532827	1	. Bar,Spacer
48	11759	3	. Kit, Split Flange	117	212717	2	. Fitting
49	11740	3	. Kit, Split Flange	122	578897	1	. Bracket
50	YMHA 007-15	1	. Bar	136	575370	1	. Bracket
51	209535	2	. Clamp Half	137	575371	1	. Nameplate
52	203443	2	. O-Ring	138	575372	1	. Nameplate
53	209536	2	. Clamp Half	139	579013	1	. Nameplate
54	296420W	8	. Hard Washer	141	R13809465	3	. Machine Screw
55	11767	3	. Kit, Split Flange	143	Y73G-0416	4	. Capscrew
56	209537	2	. Clamp Half	144	R13811024	3	. Capscrew
57	203516	3	. O-Ring	146	R13811043	4	. Capscrew
58	12721	2	. Kit, Split Flange	147	R13801826	2	. Capscrew
59	61480	4	. Flange Clamp	148	Y73G-0652	4	. Capscrew
60	203519	1	. O-Ring	149	221532W	3	. Capscrew
62	228308	1	. Fitting	151	221563W	4	. Capscrew
63	209215	1	. Fitting	152	200454W	4	. Capscrew
64	254627	2	. Fitting	154	R13801850	4	. Capscrew

## Hydraulic System, Chassis

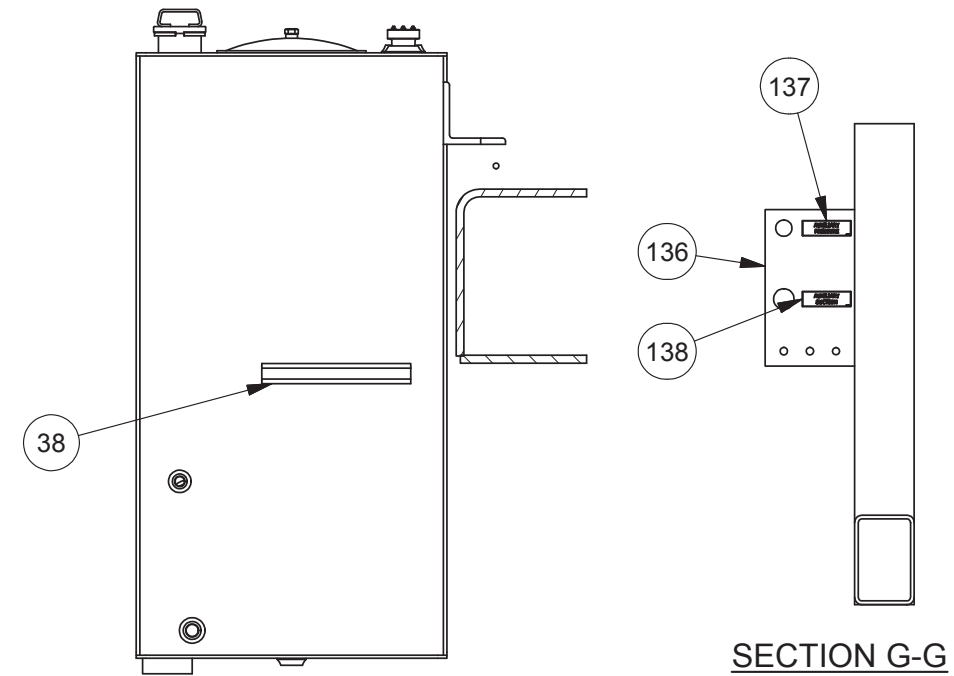
Item	Part No.	Qty	Description	Item	Part No.	Qty	Description
156	R13811084	2	. Capscrew				
157	R13811085	3	. Capscrew				
158	234889	3	. Capscrew				
159	246188	4	. Capscrew				
164	00103338	3	. Flat Washer				
165	R13812213	4	. Flat Washer				
166	R13806980	4	. Flat Washer				
168	R13811451	6	. Flat Washer				
172	R13812513	3	. Lockwasher				
173	201567	6	. Lockwasher				
174	201568	7	. Lockwasher				
175	234665	17	. Lockwasher				
176	R13809522	3	. Hex Nut				
177	R13811189	4	. Locknut				
178	R13811191	4	. Locknut				
179	R13811193	3	. Locknut				
181	302401W	8	. Locknut				
182	588331	2	. Fitting,				
183	246189	8	. Lockwasher				
200	588837	1	. Hose Assembly				
201	258631	1	. Hose Assembly				
202	587697	4	. Hose Assembly				
203	258304	1	. Hose Assembly				
204	258942	1	. Hose Assembly				
205	254249	10	. Hose Assembly				
207	588182	1	. Hose Assembly				
208	906152	1	. Hose Assembly				
210	588180	1	. Hose Assembly				
211	588179	2	. Hose Assembly				
215	255317	12	. Hose Assembly				
217	258301	2	. Hose Assembly				
233	252954	1	. Hose Assembly				
234	258761	1	. Hose Assembly				
237	251939	2	. Hose Assembly				
239	252995	1	. Hose Assembly				
240	252286	13	. Hose Assembly				
243	252048	2	. Hose Assembly				
253	252050	1	. Hose Assembly				

\* See Separate Coverage



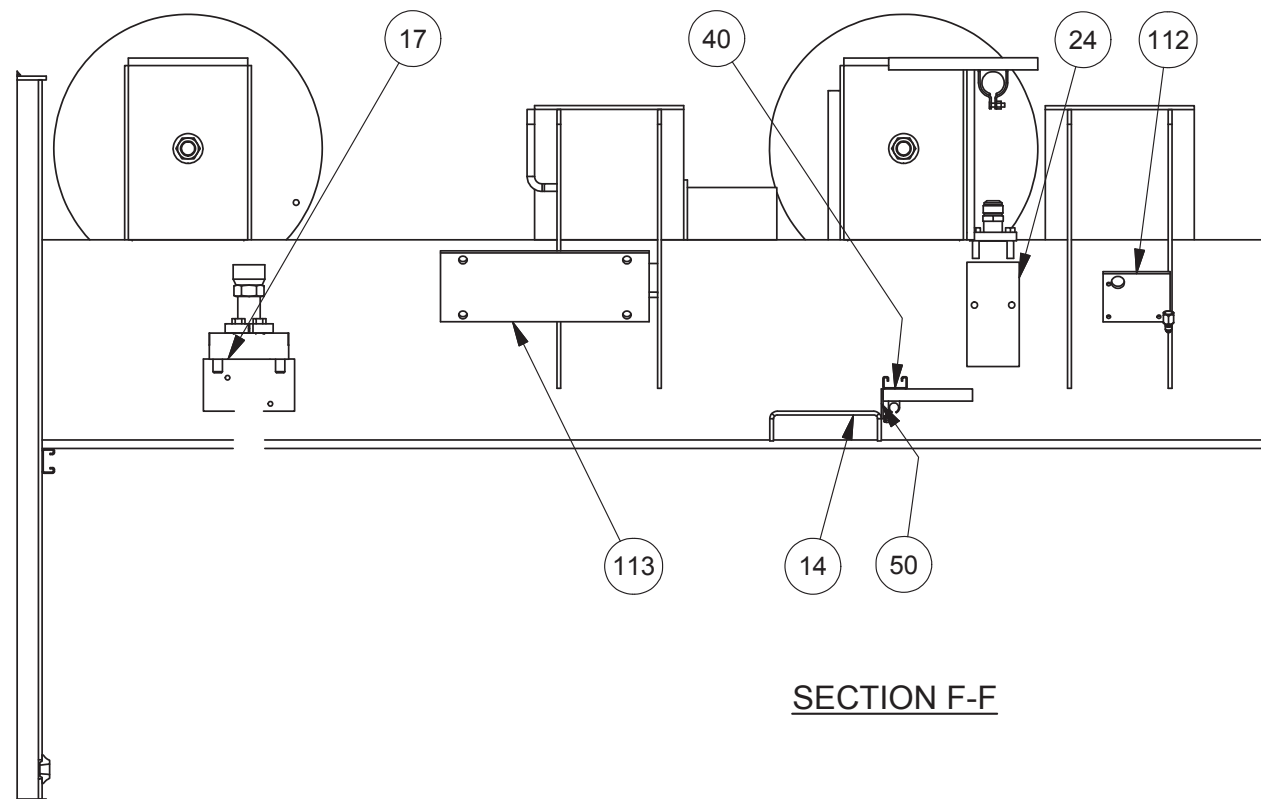


SECTION E-E

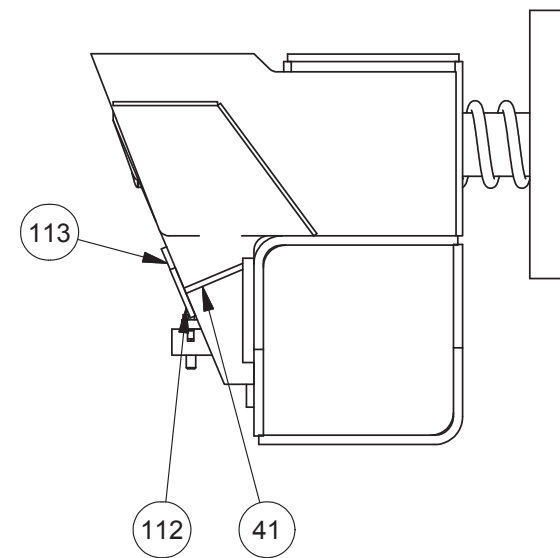


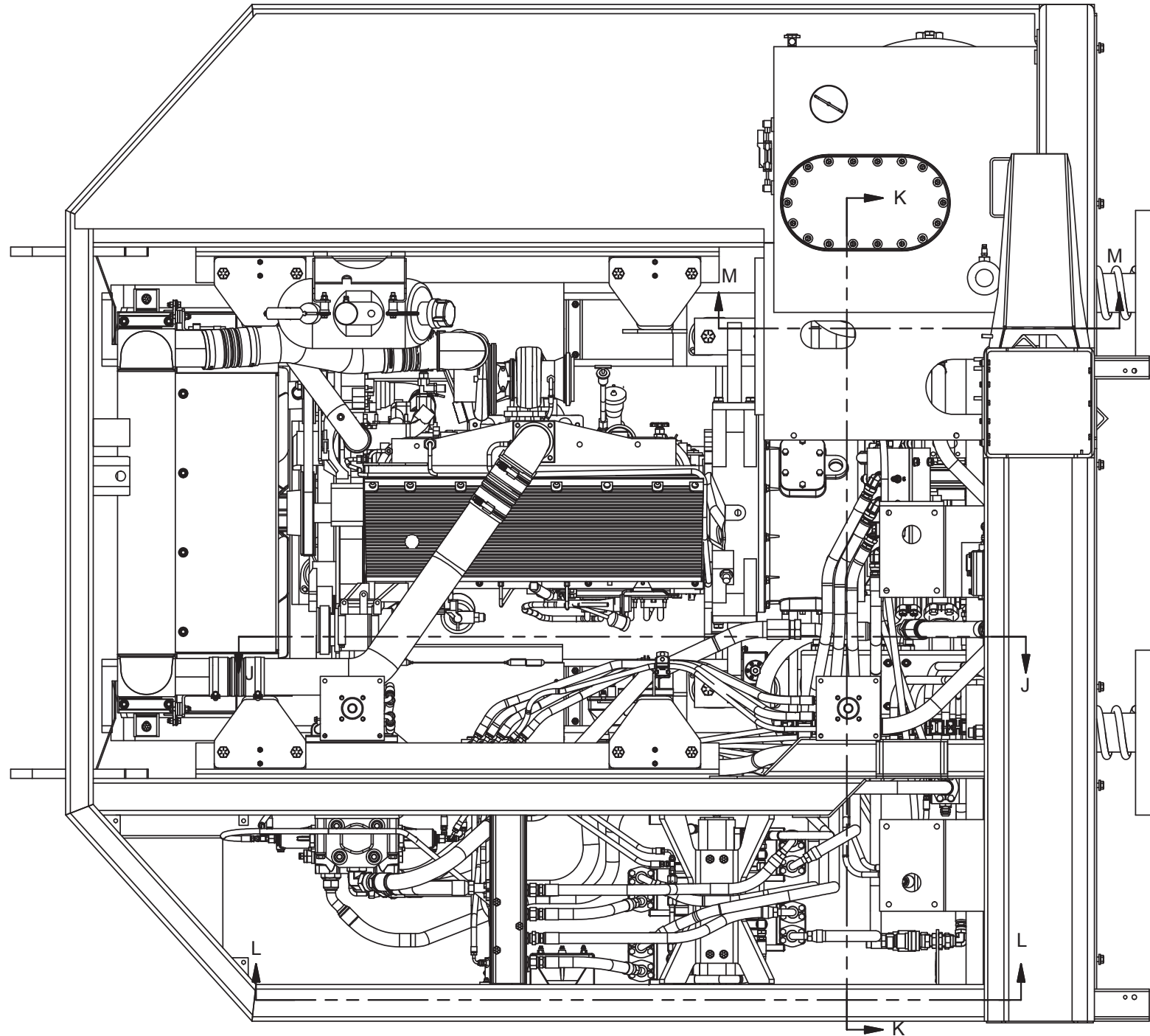
SECTION H-H

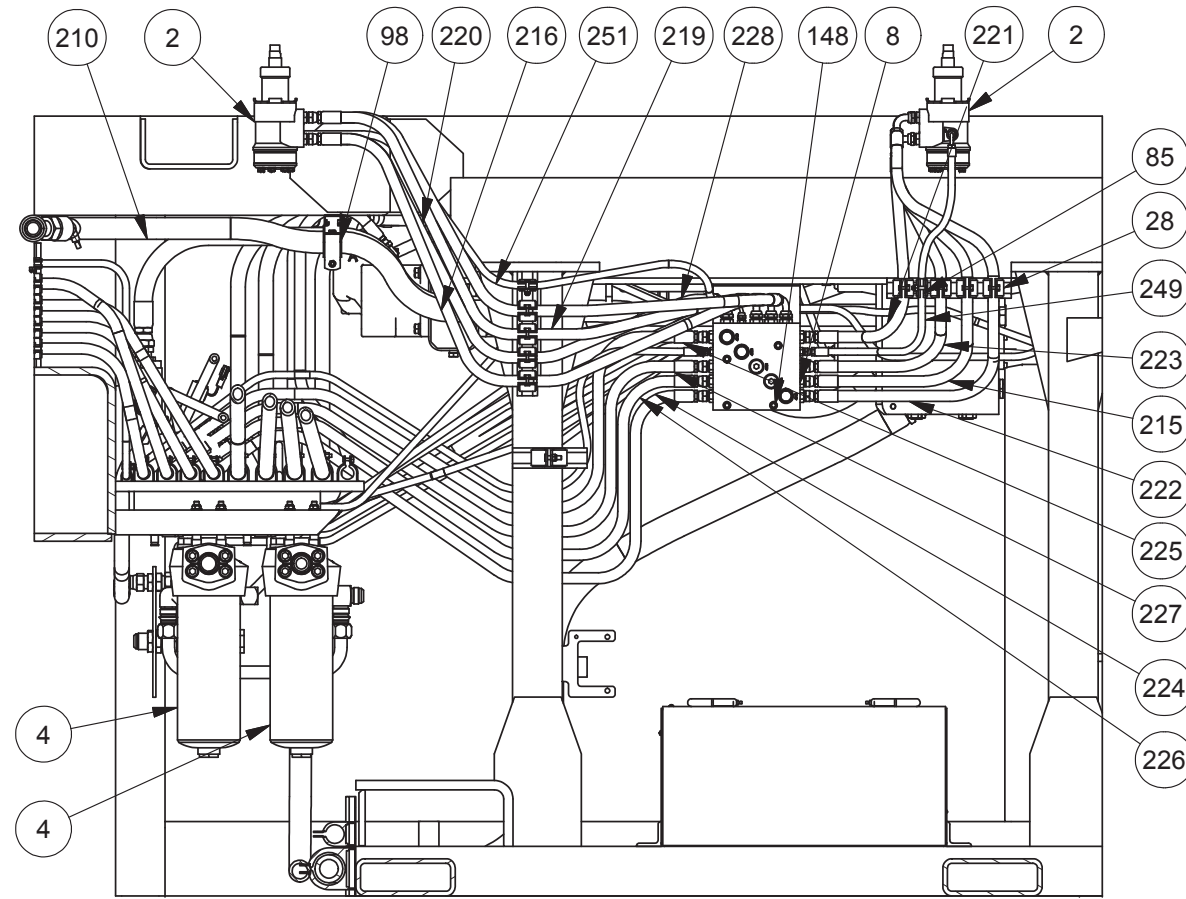
SECTION G-G



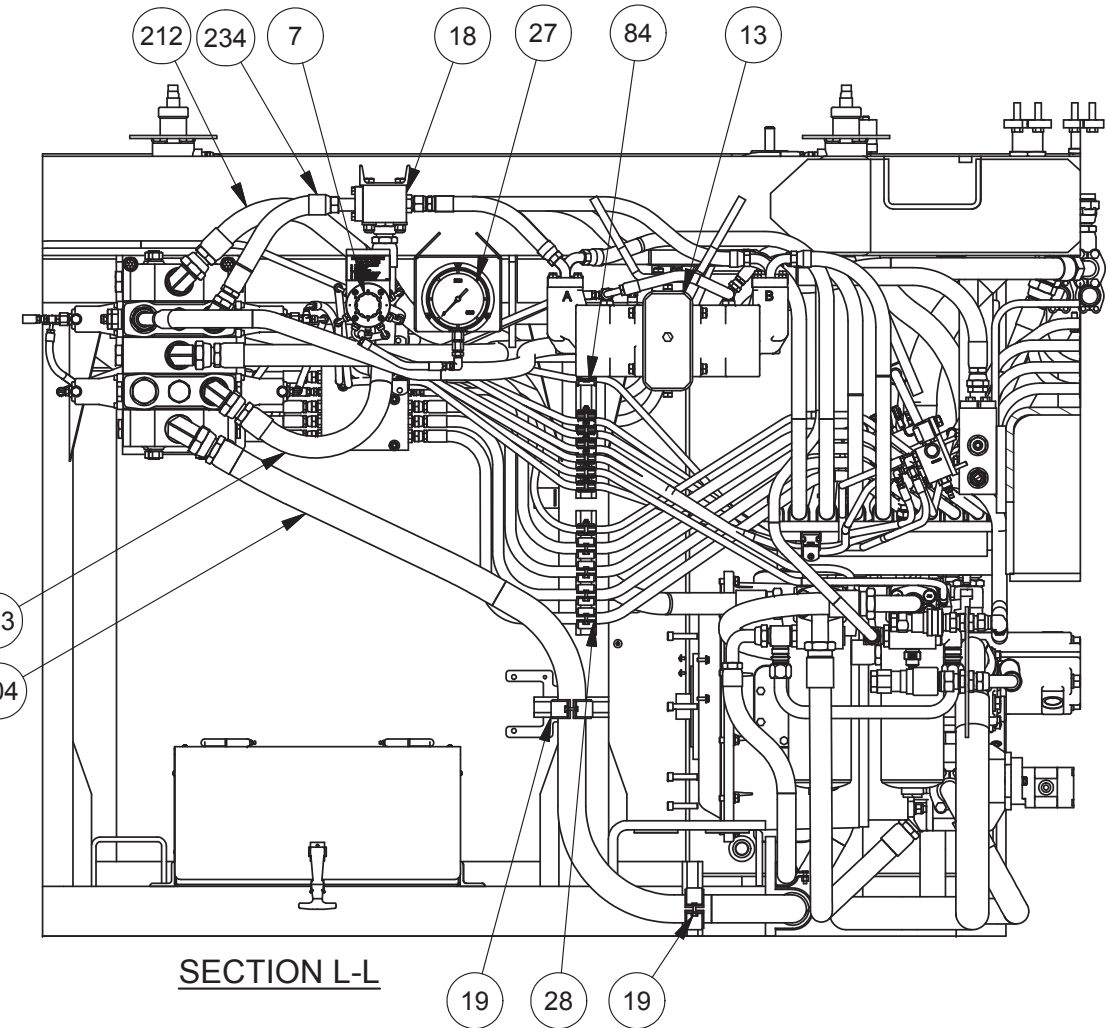
SECTION F-F



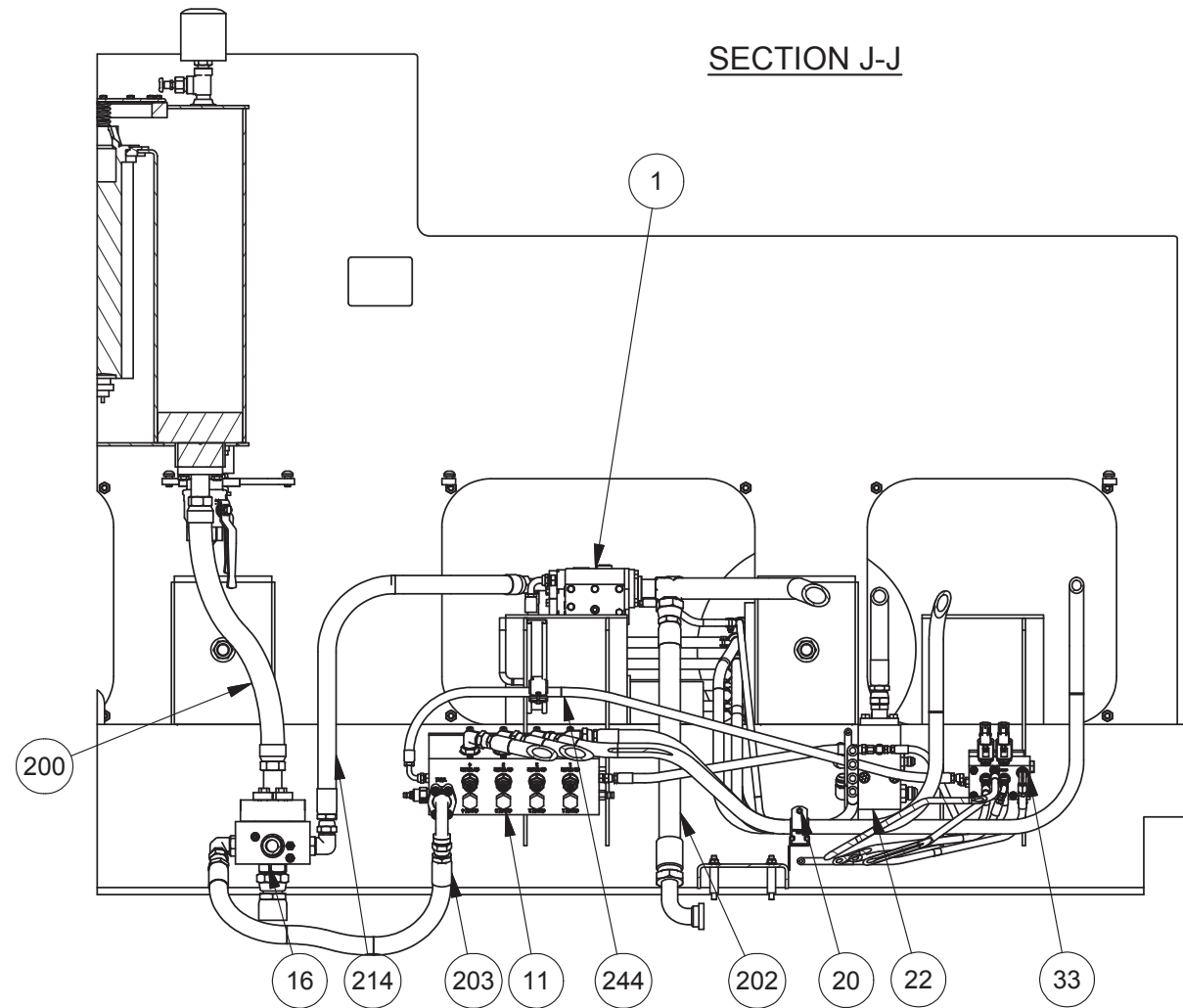




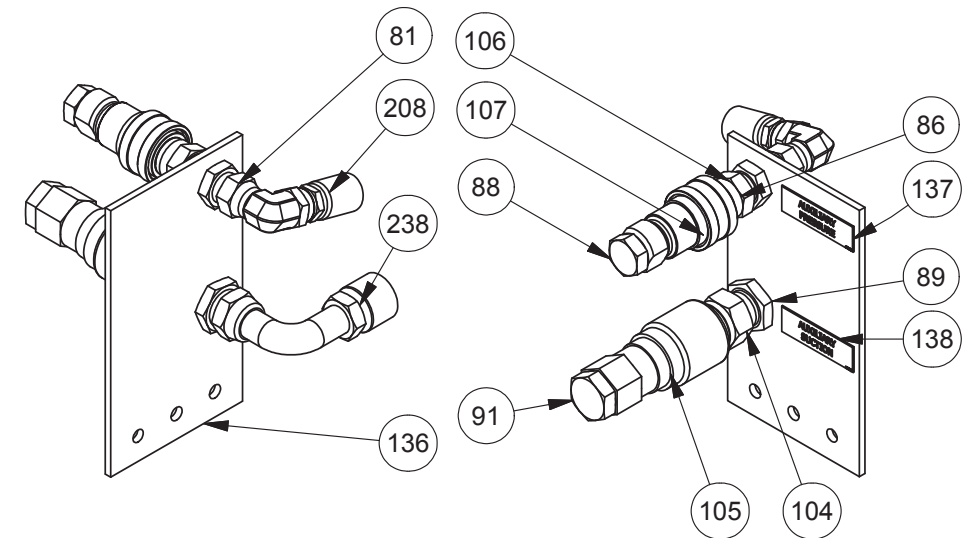
**SECTION J-J**



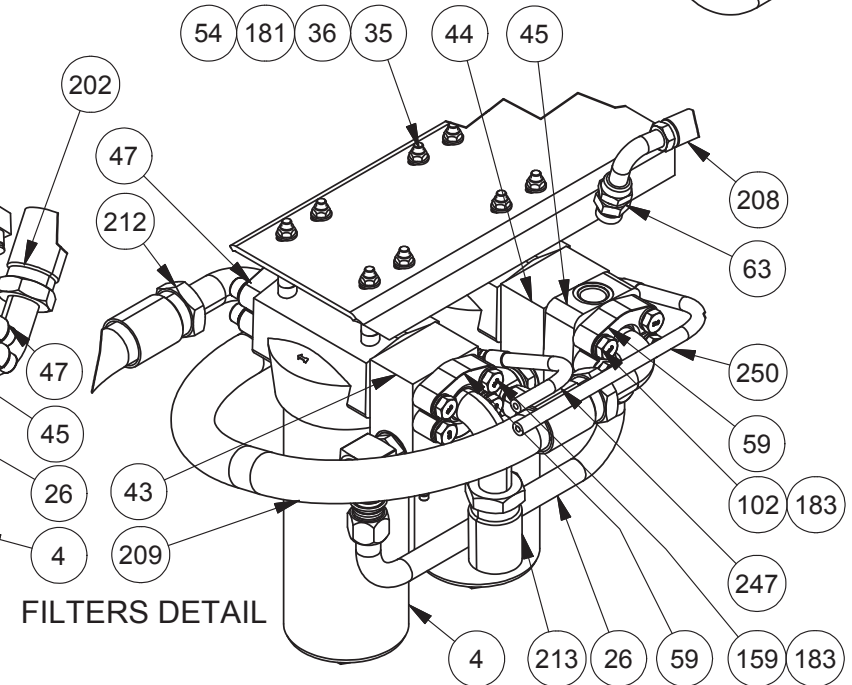
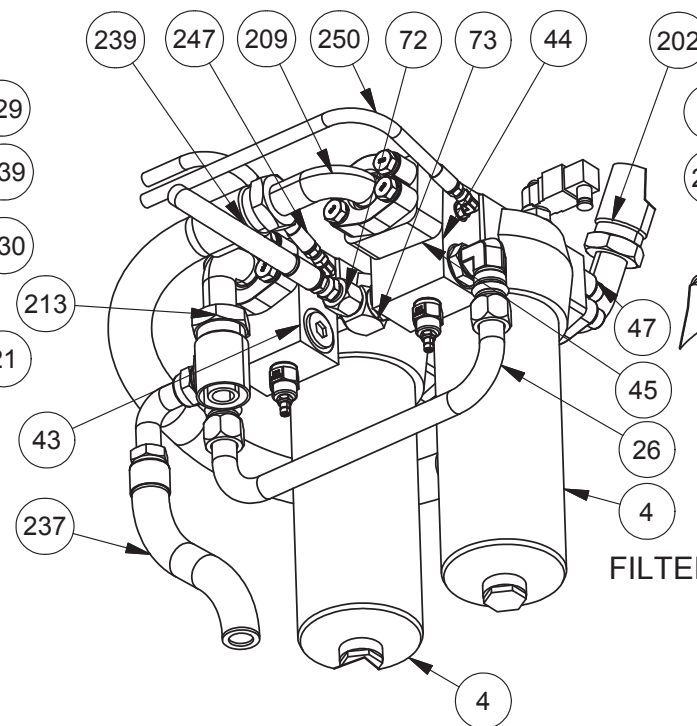
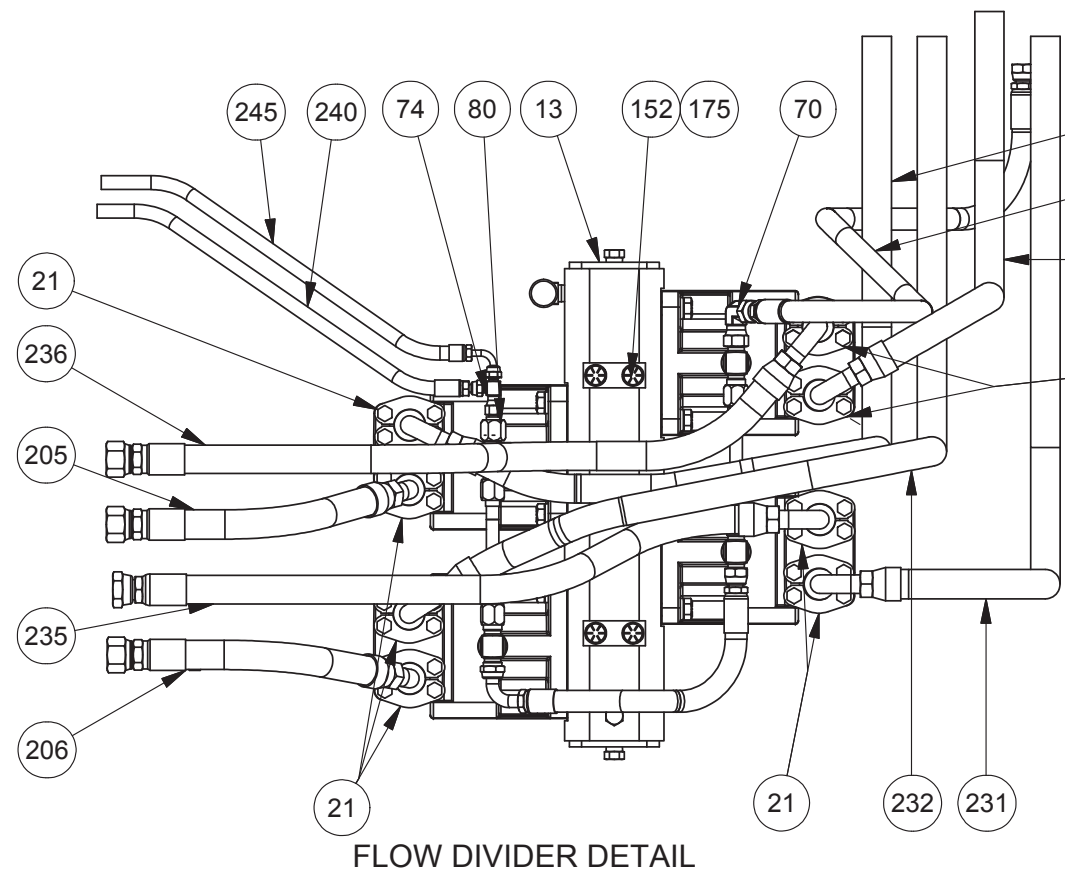
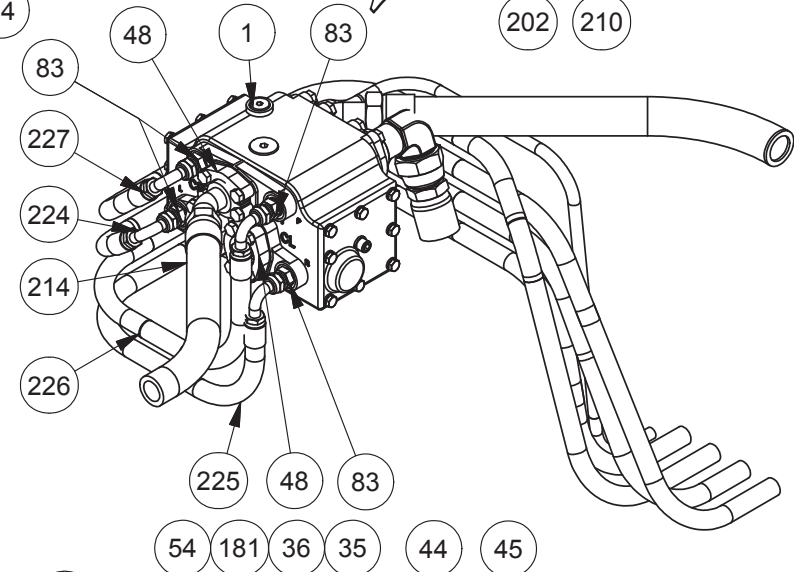
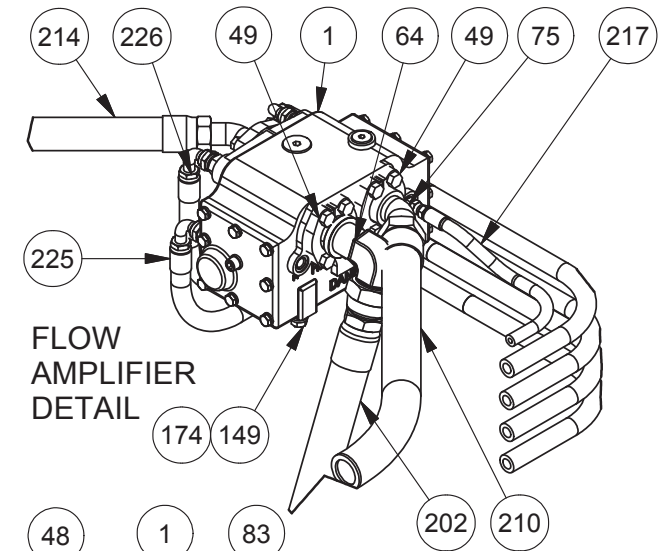
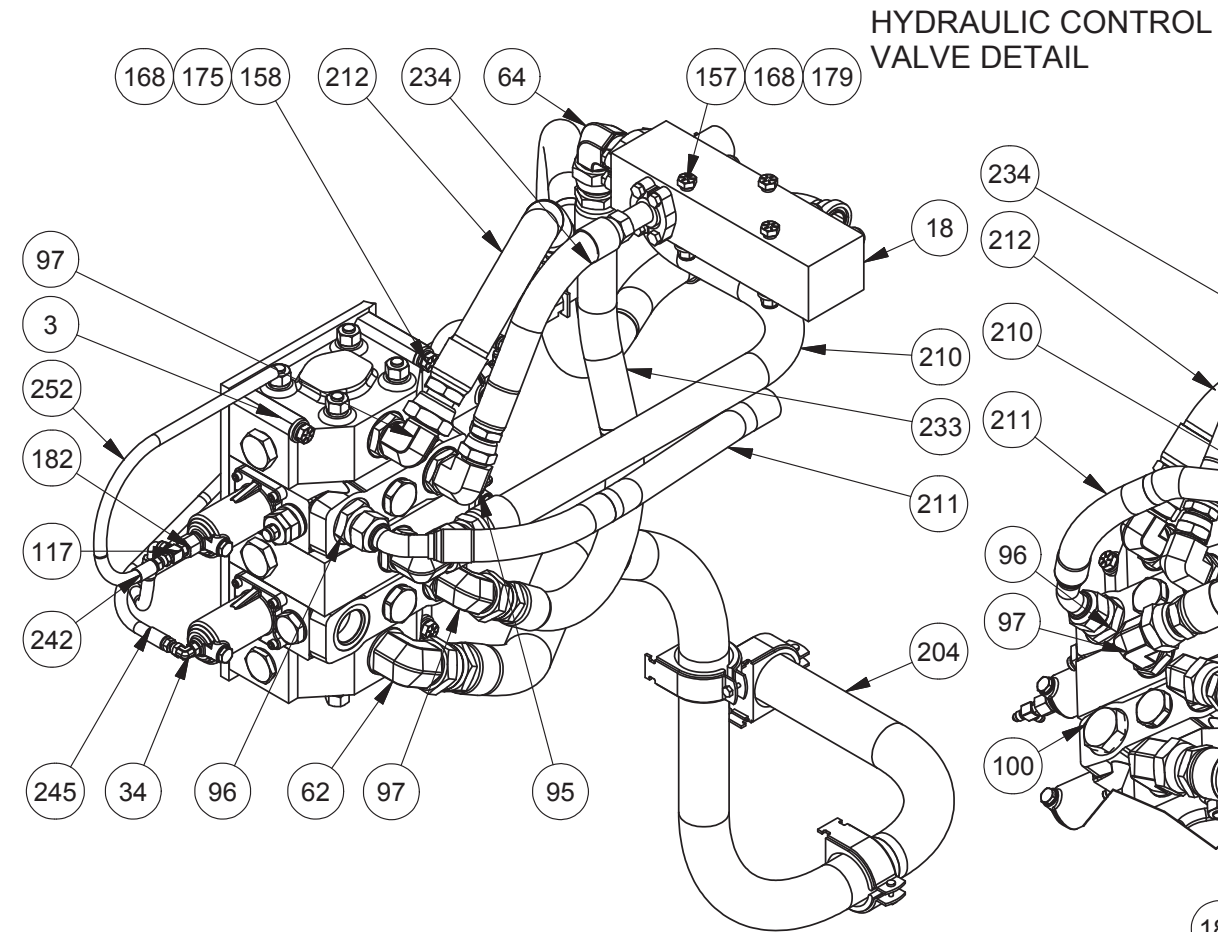
**SECTION L-L**



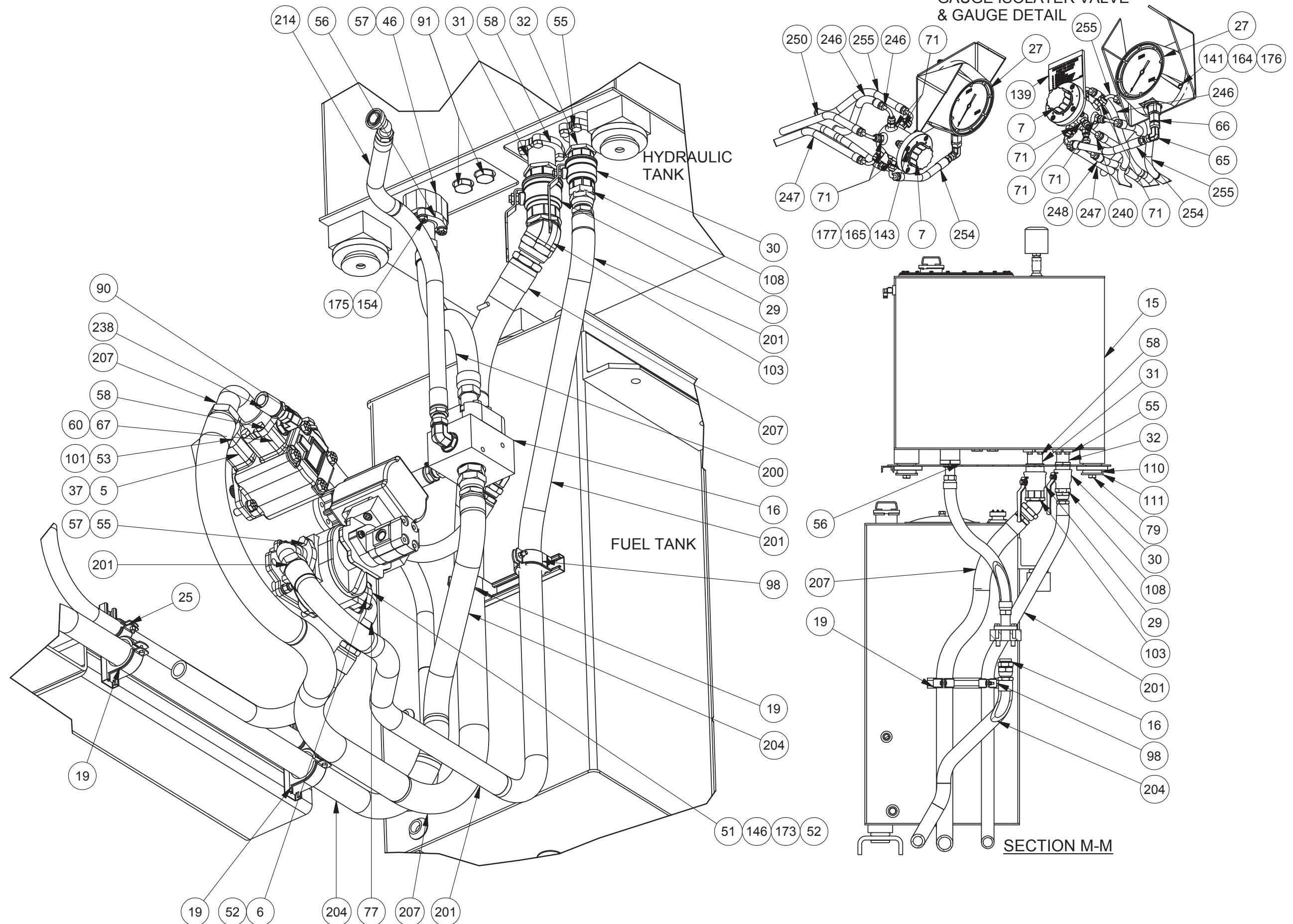
**SECTION K-K**



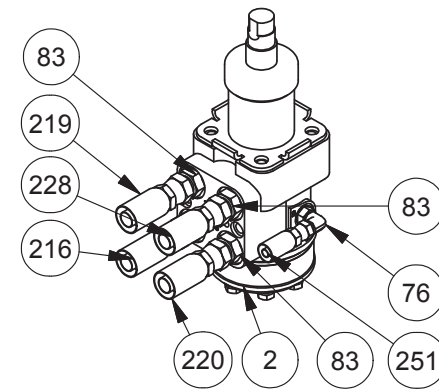




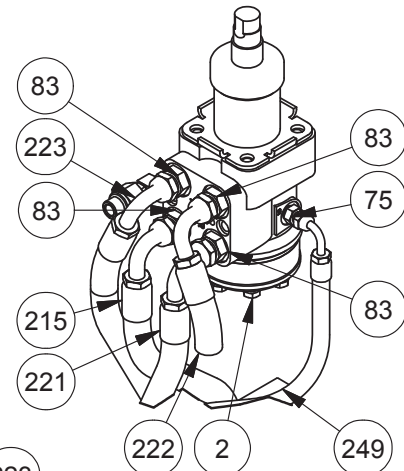




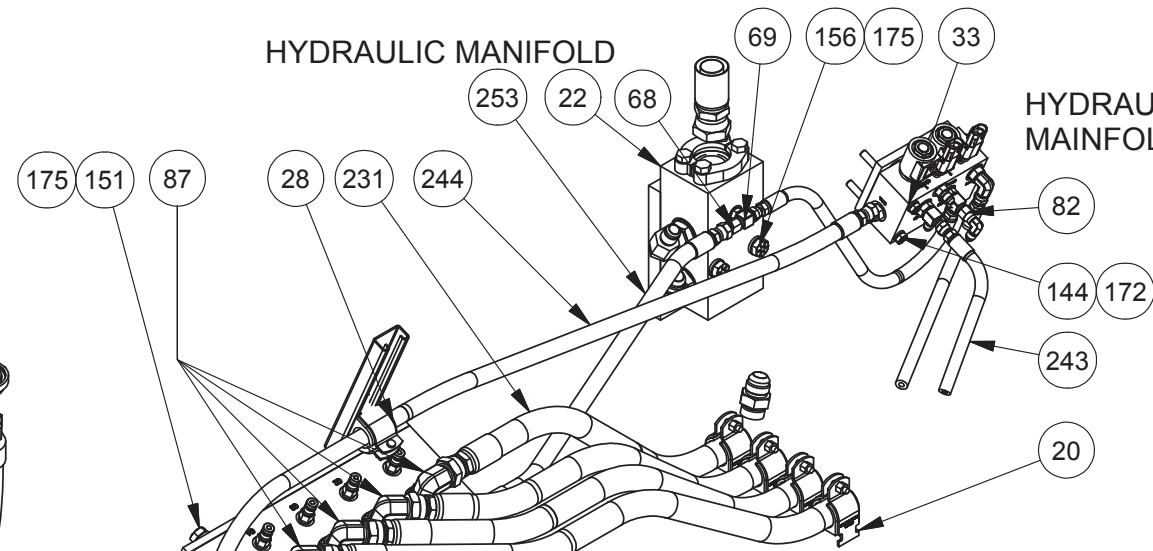
**FRONT STEER UNIT DETAIL**



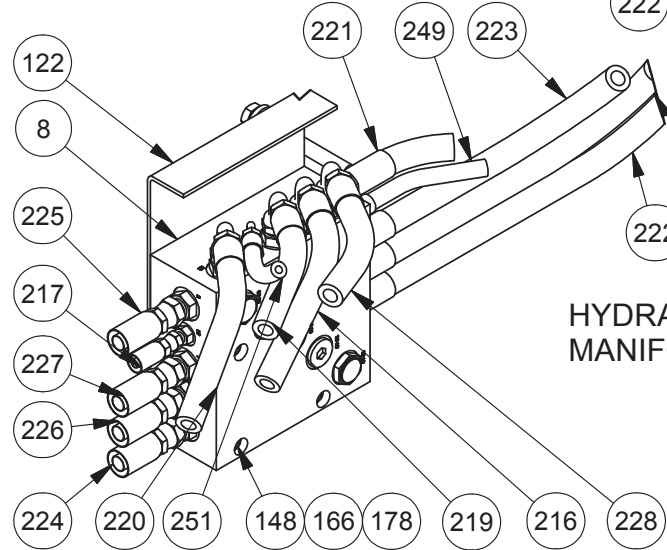
**REAR STEER UNIT DETAIL**



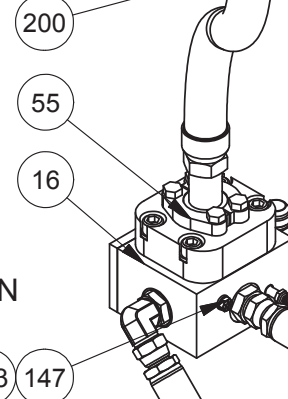
**HYDRAULIC MANIFOLD**



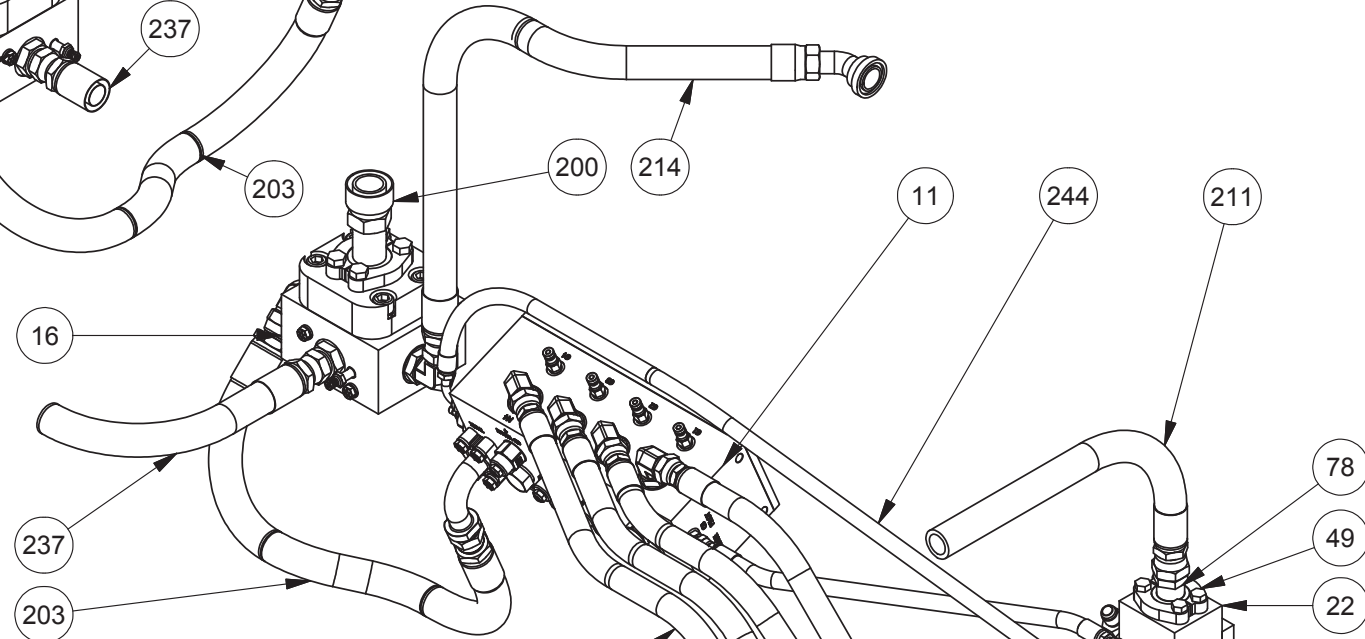
**HYDRAULIC SUPPLY MAINFOLD DETAIL**



**HYDRAULIC RETURN MANIFOLD DETAIL**



**LOAD HOLDING MANIFOLD DETAIL**



**STEER SHUTTLE MANIFOLD DETAIL**

