

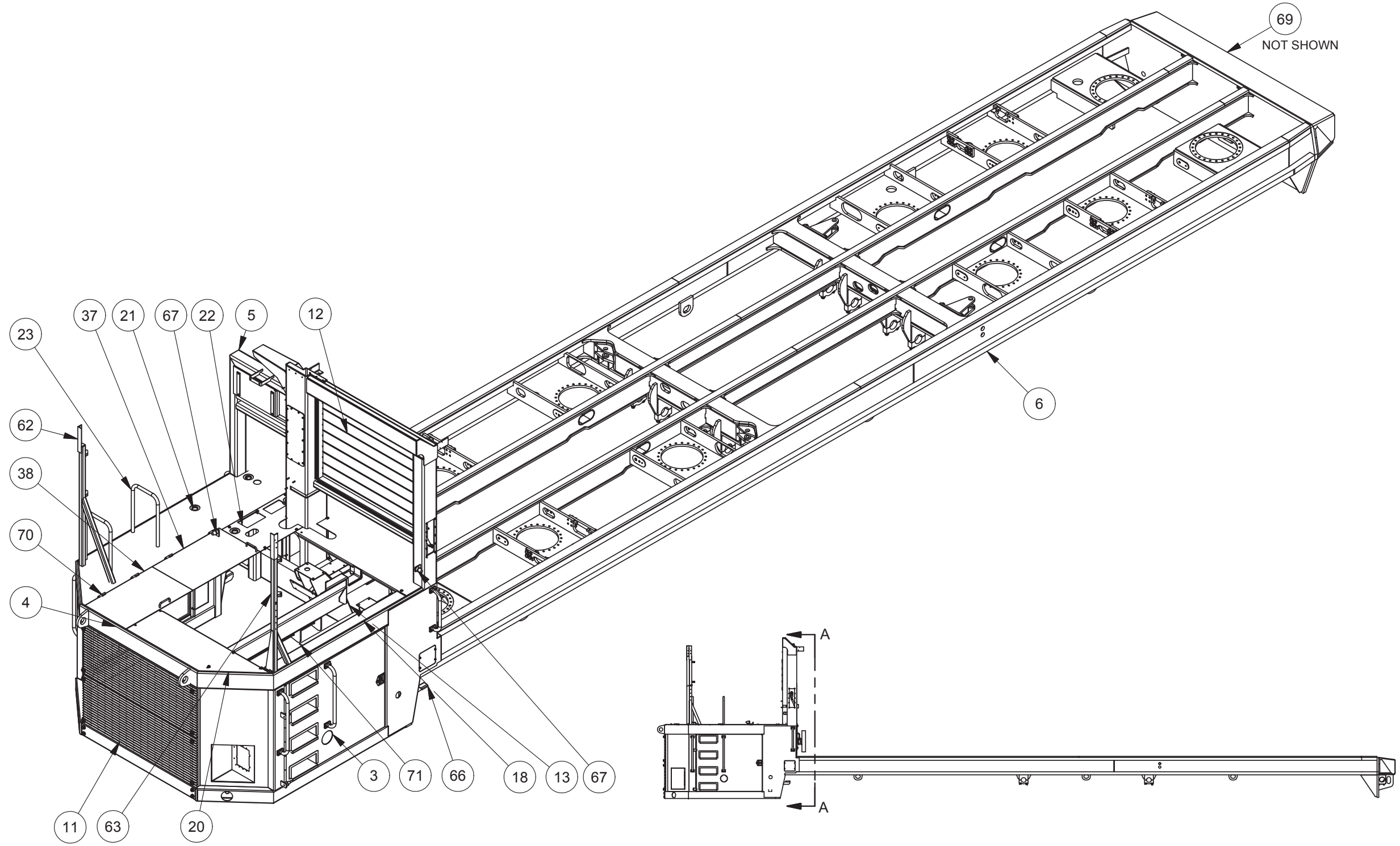
---

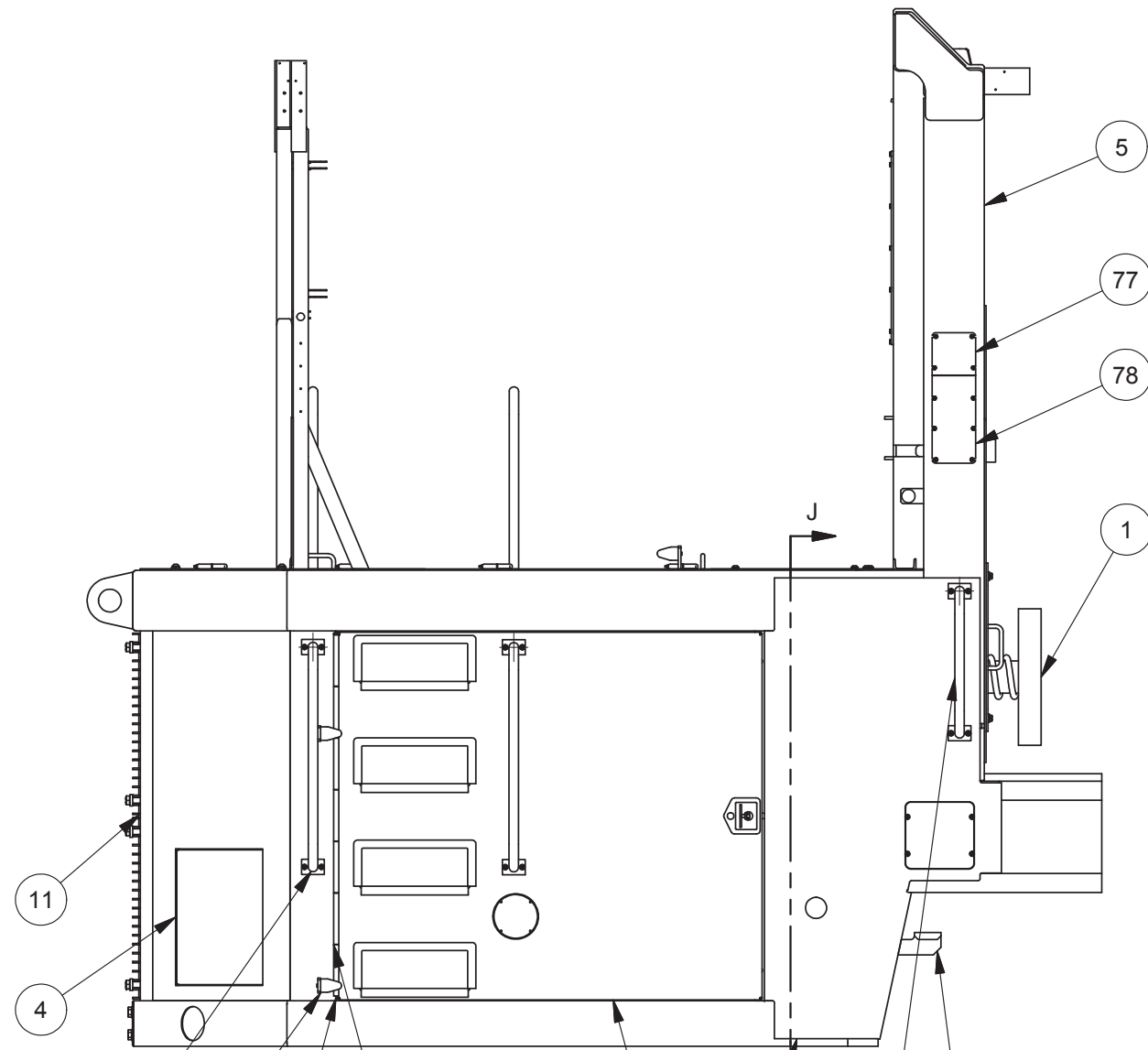
Frame Group

## Frame Group

Item	Part No.	Qty	Description	Item	Part No.	Qty	Description
	<b>587742</b>		<b>Frame Group</b>				
1	* 164-0078	2	. Bumper Stop Assembly	67	176-0089	3PK	. Stop,Door
2	* 584138	1	. Door Group,RH Eng Comp	68	004-1834	4	. Bracket,Snubber
3	* 584139	1	. Door Group,LH Eng Comp	69	578436	1	. Cover Outfitting, Main Frame
4	587759	1	. Frame Weldment, Front	70	R19868	4	. Bushing,Hinge
5	* 587777	1	. Cab Guard	71	579006	1	. Step Weldment
6	578875	1	. Frame Weldment,Main	73	578402	2	. Hinge Weldment
7	325-0079	1	. Cab Mount Weldment	74	196-0385	8	. Block,Tapping
8	325-0080	1	. Cab Mount Weldment	75	162572W	24	. Capscrew
9	587776	1	. Plate Weldment	76	R13812514	24	. Lockwasher
10	* 236-0299	1	. Side Panel, LH	77	588542	1	. Cover Weldment
11	* 400-0011	1	. Bumper & Grill Group	78	588544	1	. Cover Plate
12	254356	1	. Shutter, Cab Guard	79	588538	1	. Lever Weldment
13	076-1288	1	. Gusset	80	224120W	10	. Capscrew
14	129-0152	2	. Angle	81	00103319	14	. Lockwasher
15	129-0153	2	. Angle	82	R13810990	4	. Capscrew
16	00100768	16	. Machine Screw	83	066-0687	1	. Cylinder Assembly, Air
17	238083	16	. Lockwasher	34	587786	1	. Panel Weldment
18	026-6884	1	. Plate,Deck	35	200454W	12	. Capscrew
19	026-6885	1	. Plate,Deck	36	221771W	15	. Washer
20	026-6883	1	. Plate,Deck	37	575647	1	. Door Weldment, Deck
21	588839	1	. Deck Weldment	38	301-0051	1	. Door Weldment, Deck
22	578869	1	. Panel Weldment,Deck	40	196-0299	1	. Block,Mounting
23	025-0108	2	. Handle	52	165-0157	4	. Door Stop Weldment
24	578943	2	. Angle	53	165-0158	2	. Door Stop Weldment
25	578944	2	. Angle	58	575246	1	. Tube,Sq
26	584027	1	. Bar,Mounting	60	025-0140	4	. Handle Weldment,Grab
27	Y25G-0816	12	. Capscrew	61	236-0310	1	. Panel Weldment, Rh Side
28	226149	12	. Lockwasher	62	099-0289	1	. Support Weldment, RH
29	585045	1	. Plate,Mounting	63	099-0290	1	. Support Weldment, LH
30	584128	2	. Bar	64	584590	2	. Handle Weldment,Grab
31	196-0294	2	. Block,Tapping	65	008-0058	1	. Step,Rh
32	587782	1	. Panel Weldment	66	008-0059	1	. Step,LH
33	587784	1	. Panel Weldment, Center	67	176-0089	3PK	. Stop,Door
34	587786	1	. Panel Weldment	68	004-1834	4	. Bracket,Snubber
35	200454W	12	. Capscrew	69	578436	1	. Cover Outfitting, Main Frame
36	221771W	15	. Washer	70	R19868	4	. Bushing,Hinge
37	575647	1	. Door Weldment, Deck	71	579006	1	. Step Weldment
38	301-0051	1	. Door Weldment, Deck	73	578402	2	. Hinge Weldment
40	196-0299	1	. Block,Mounting	74	196-0385	8	. Block,Tapping
52	165-0157	4	. Door Stop Weldment	75	162572W	24	. Capscrew
53	165-0158	2	. Door Stop Weldment	76	R13812514	24	. Lockwasher
58	575246	1	. Tube,Sq	77	588542	1	. Cover Weldment
60	025-0140	4	. Handle Weldment,Grab	78	588544	1	. Cover Plate
61	236-0310	1	. Panel Weldment, RH Side	79	588538	1	. Lever Weldment
62	099-0289	1	. Support Weldment, RH	80	224120W	10	. Capscrew
63	099-0290	1	. Support Weldment, LH	81	00103319	14	. Lockwasher
64	584590	2	. Handle Weldment,Grab	82	R13810990	4	. Capscrew
65	008-0058	1	. Step,RH	83	066-0687	1	. Cylinder Assembly, Air
66	008-0059	1	. Step,LH				

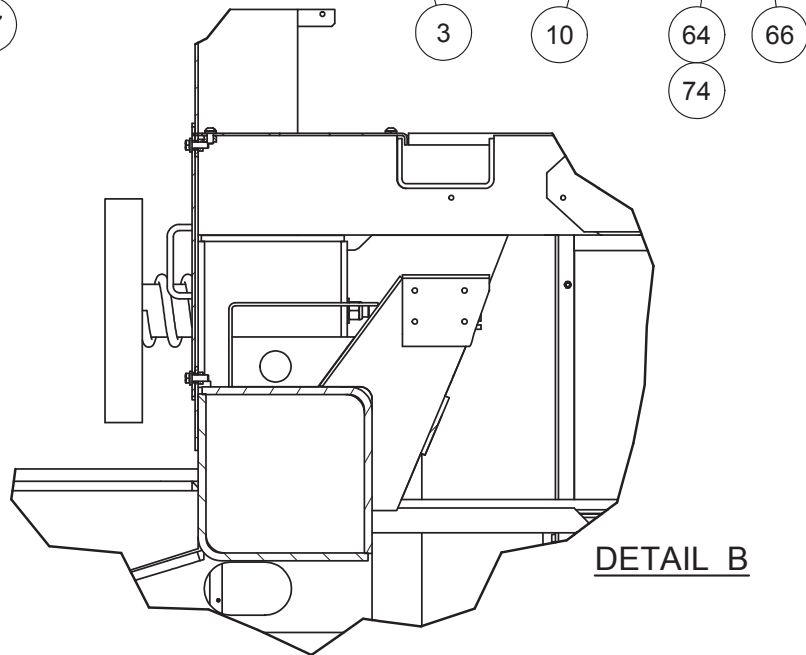
\* See Separate Coverage



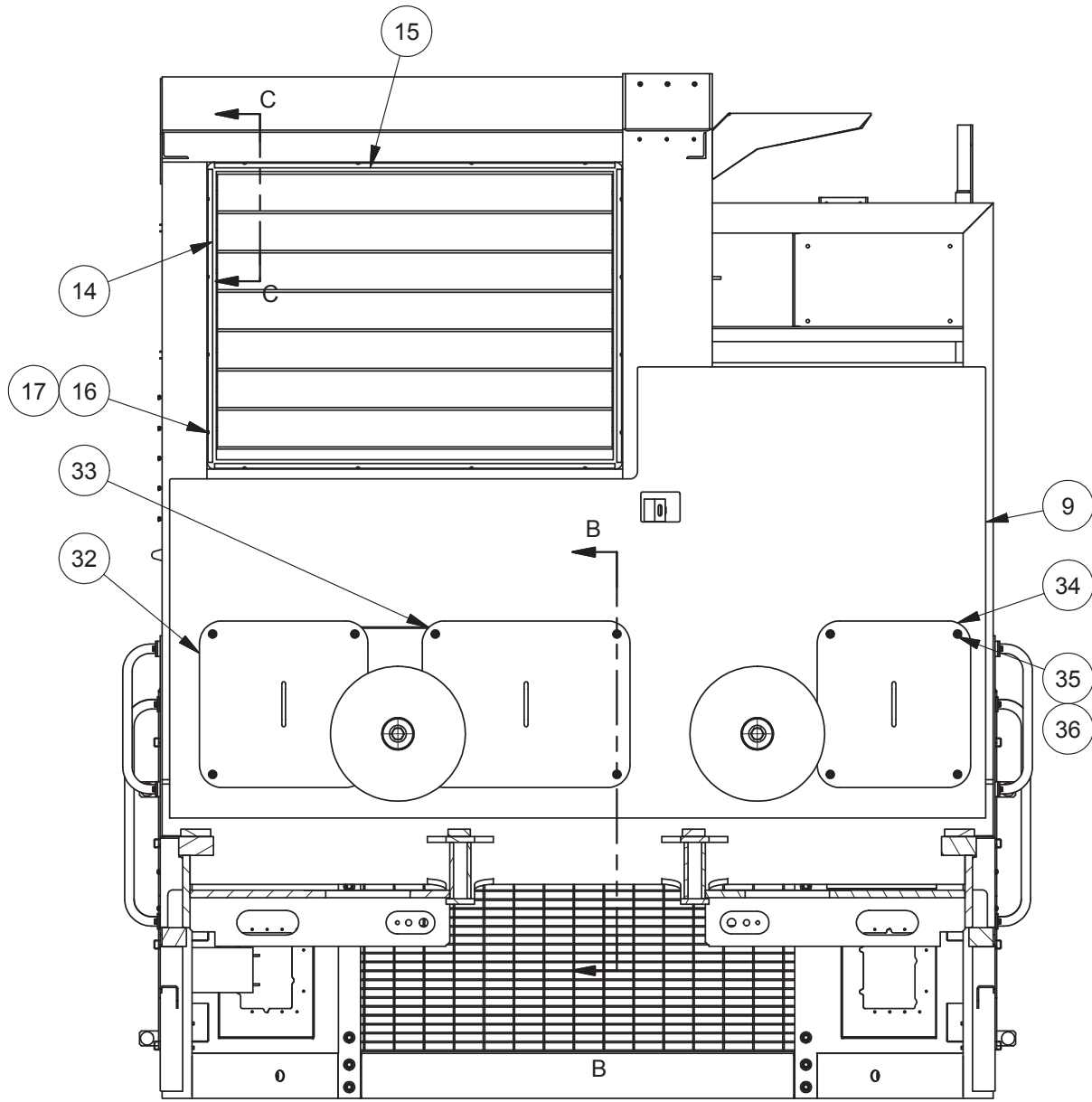


**LEFT**

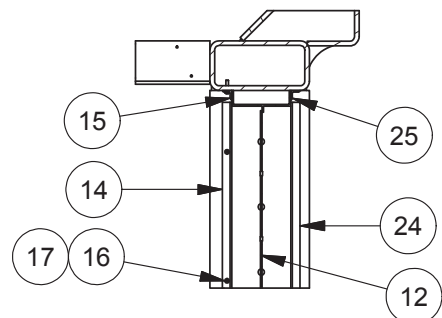
- 60
- 68
- 73
- 74
- 67
- 75
- 76



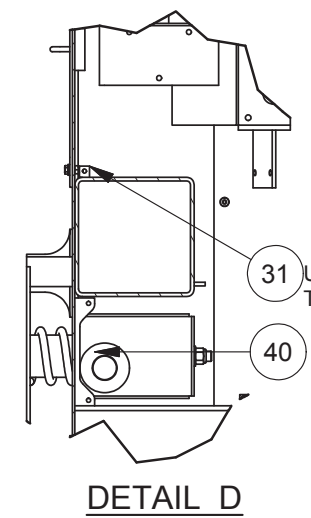
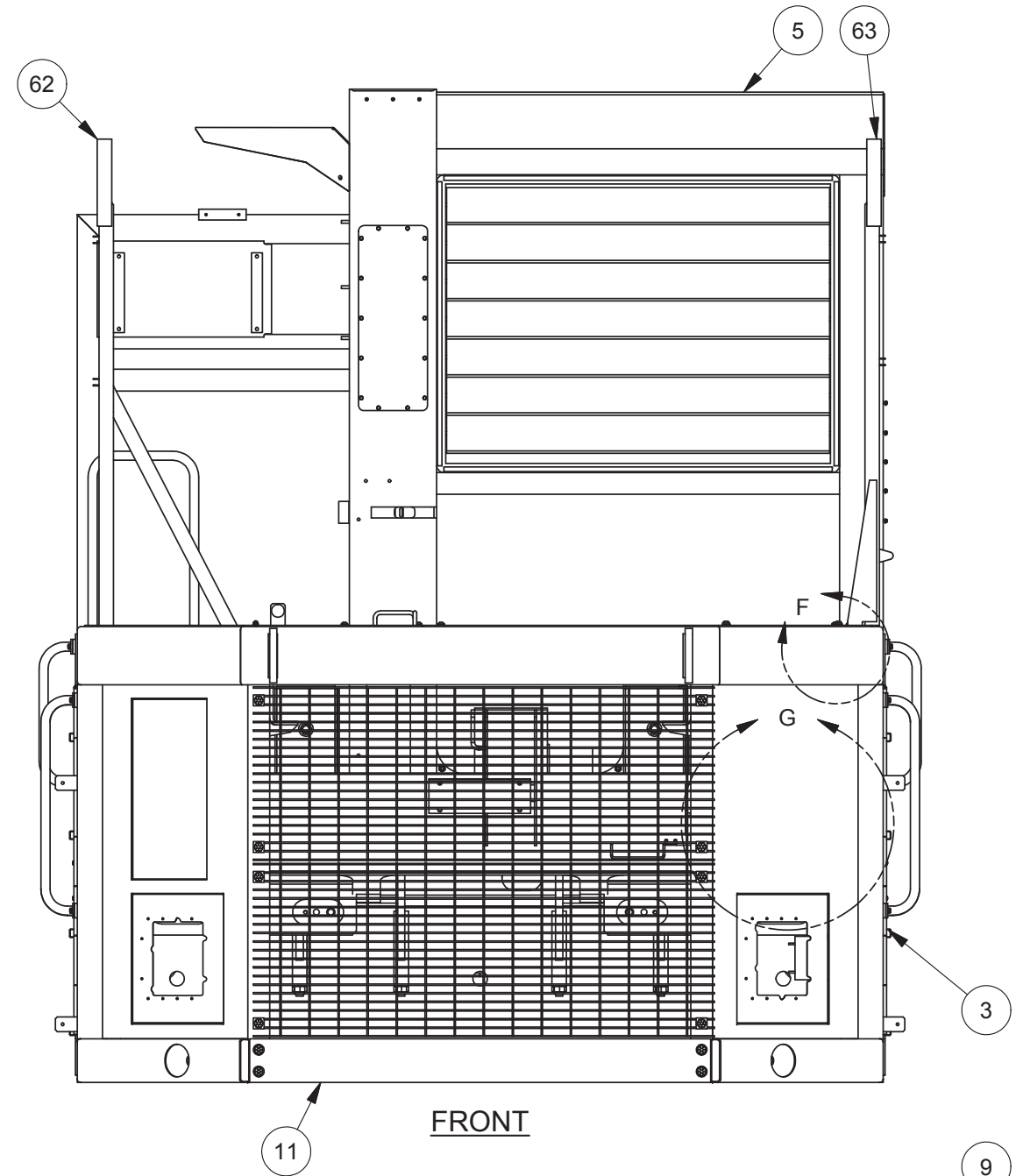
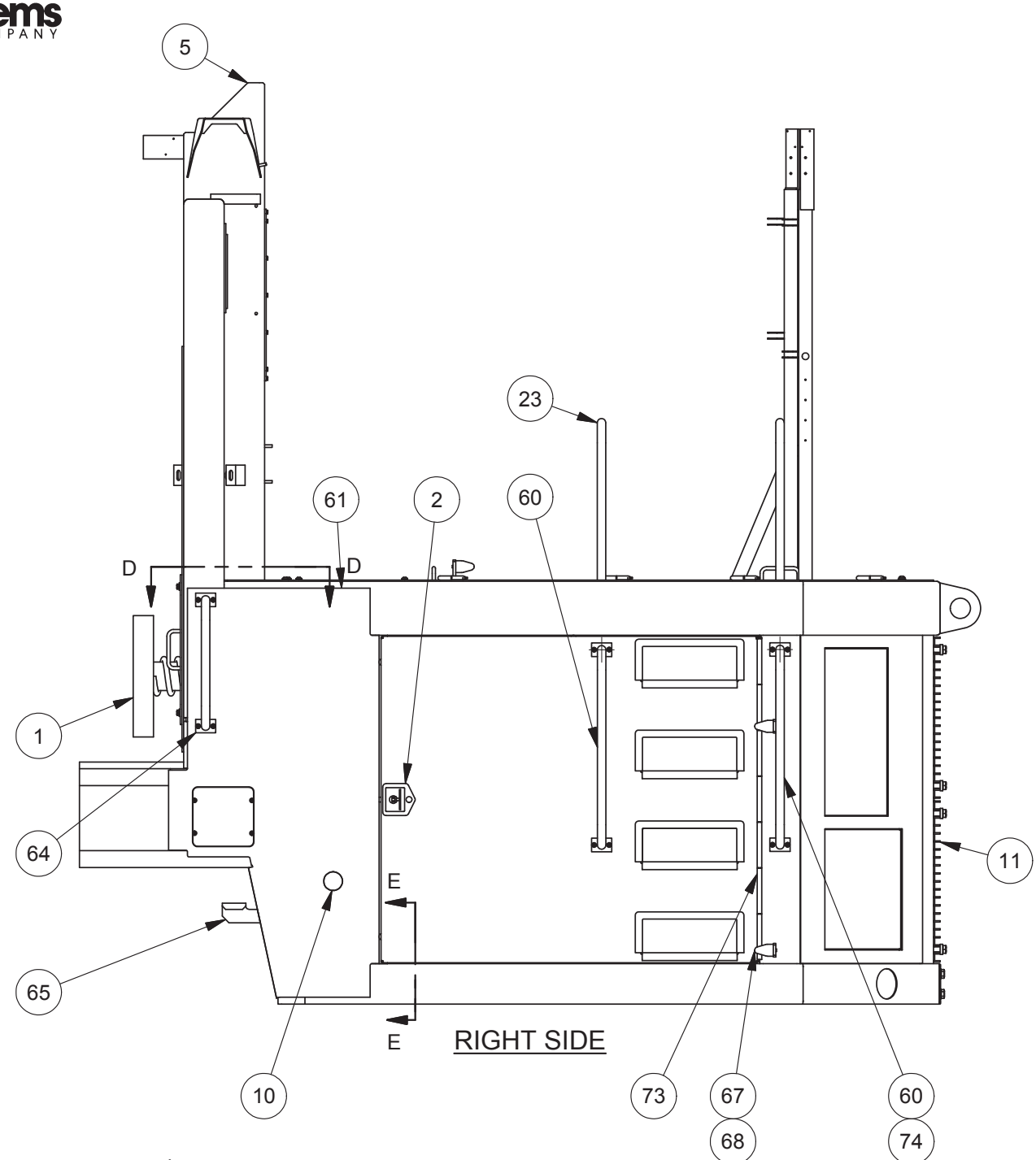
**DETAIL B**



**SECTION A-A**



**SECTION C-C**



31 USE DECK PANELS AS TEMPLATE TO TACK MOUNTS IN PLACE.

