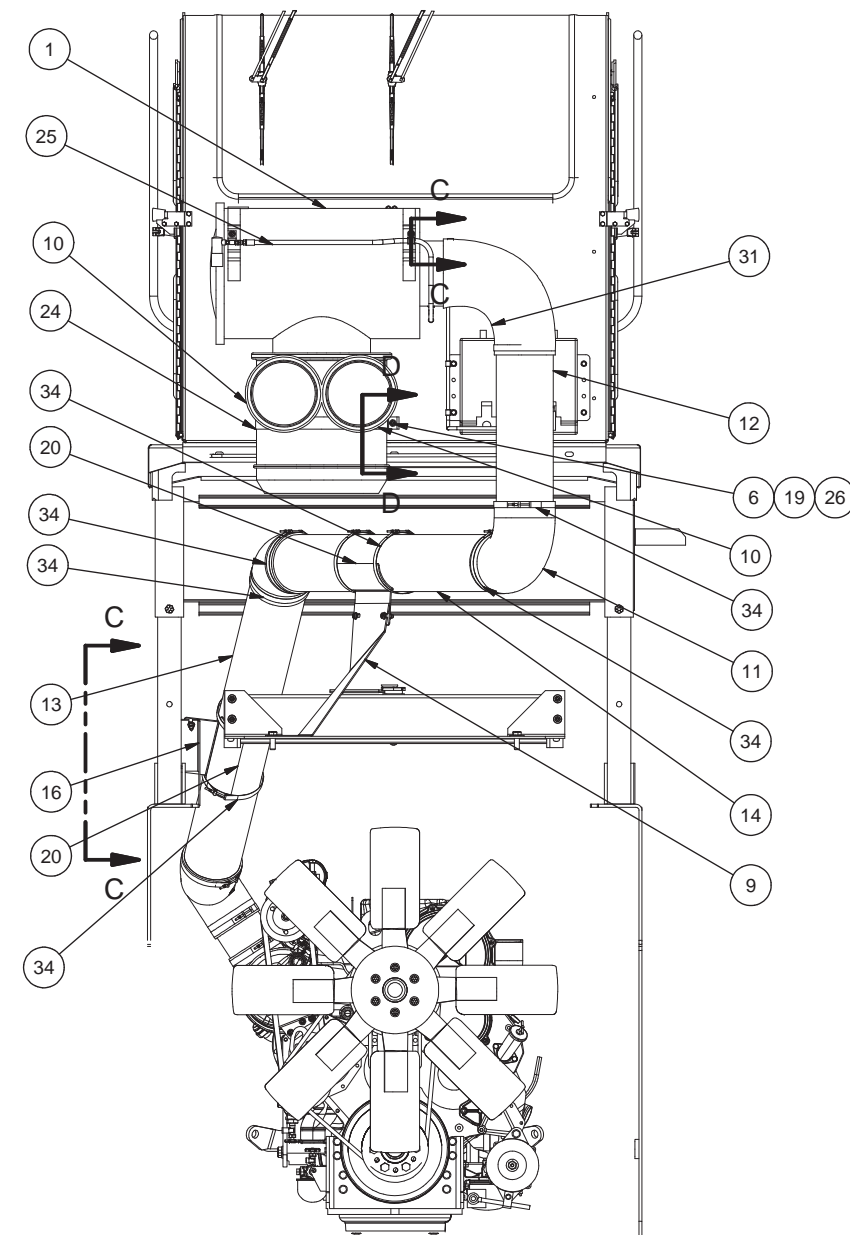
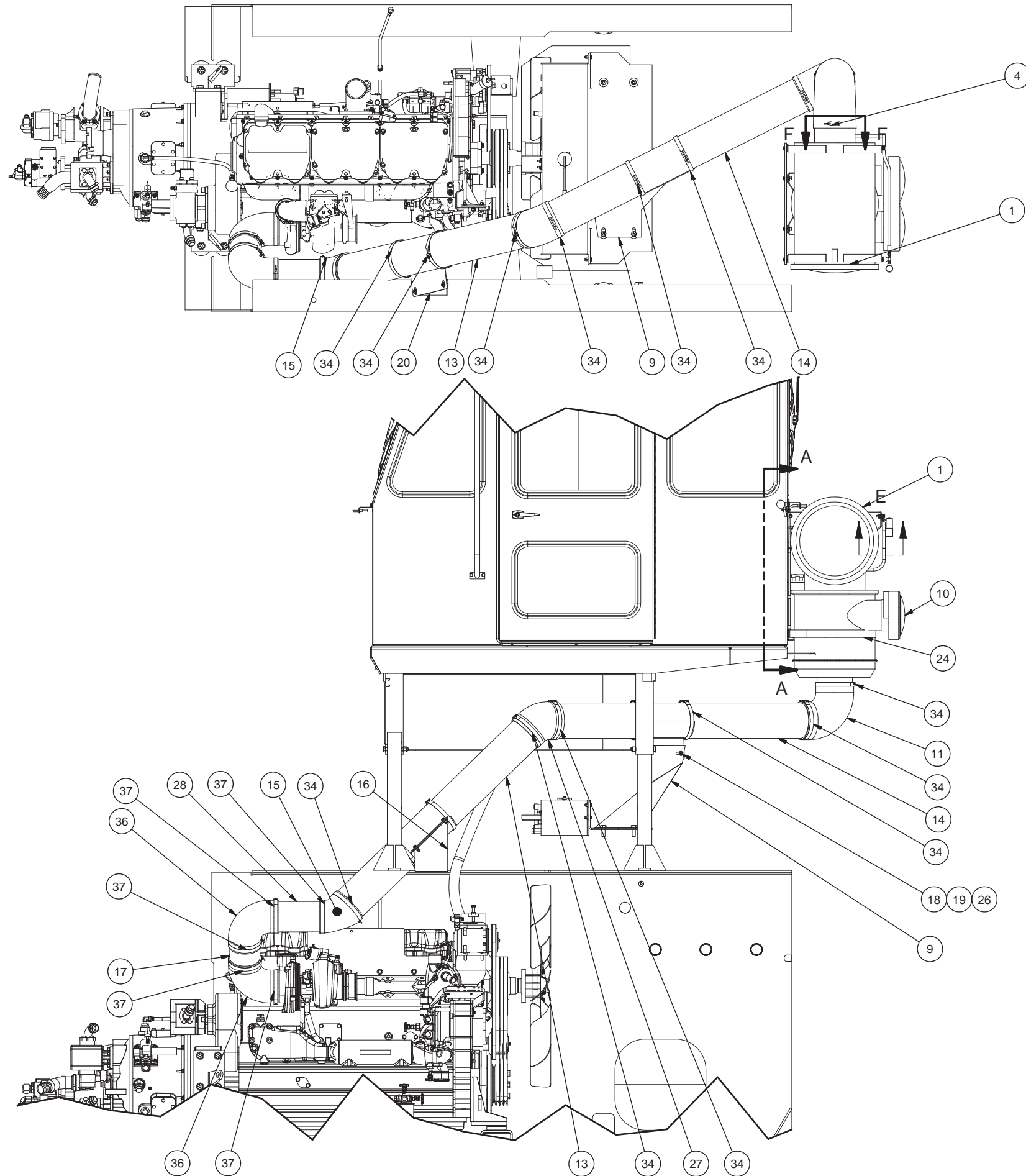

Air Intake Installation

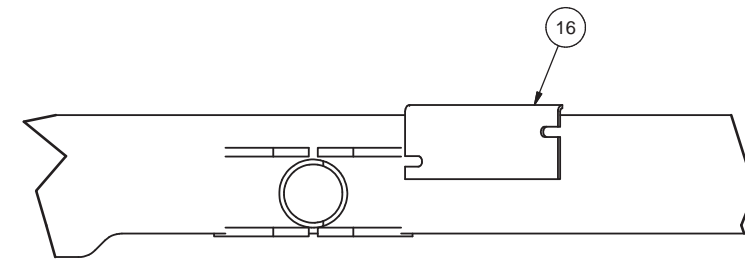
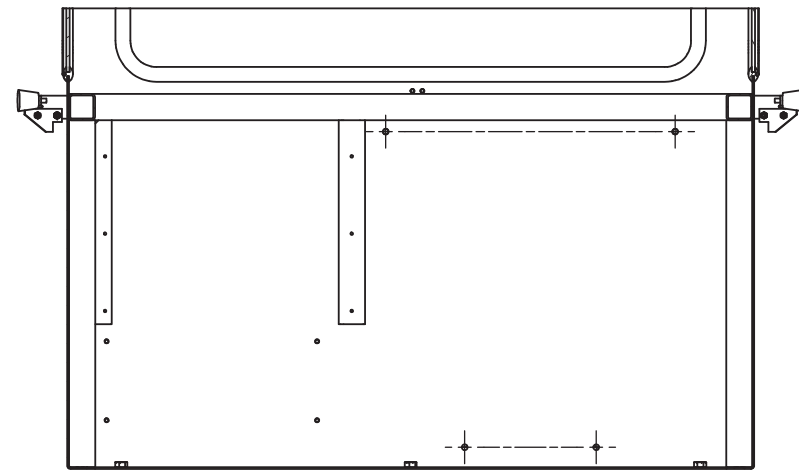
Air Intake Installation

Item	Part No.	Qty	Description	Item	Part No.	Qty	Description
	587543		Air Intake Installation				
1	* 226636	1	. Air Filter	19	R13811191	11	. Locknut
2	563859	1	. Bar Support Weldment	20	586508	2	. Bracket,Hanger
3	566274	1	. Bracket Weldment	21	208136	1	. Indicator
4	210788	1	. T-Bolt Clamp	22	208137	1	. Filter, Restriction
5	209750	1	. Fitting	23	508790	1	. Bracket Assembly
6	R13811039	1	. Capscrew	24	205274	1	. Band, Mounting
7	209425	1	. Fitting	25	244120	1	. Hose Assembly
8	209579	1	. Clamp	26	221767W	18	. Hce-552 Washer 3/8
9	587735	1	. Plate, Mounting	27	224226	1	. Elbow
10	205230	2	. Air Inlet Hood	28	577188	1	. Tube,Air Intake
11	208234	1	. Elbow	30	587731	1	. Isolator
12	578222	1	. Tube,Air	31	226793	1	. Elbow
13	567697	1	. Tube,Air	32	587732	1	. Isolator
14	583104	1	. Tube,Air Intake	33	587733	4	. Isolator
15	228425	1	. Elbow	34	210631	10	. T-Bolt Clamp
16	587734	1	. Plate, Mounting	36	215733	2	. Elbow
17	580432	1	. Tube	37	207245	5	. T-Bolt Clamp
18	221499W	6	. Capscrew				

* See Separate Coverage

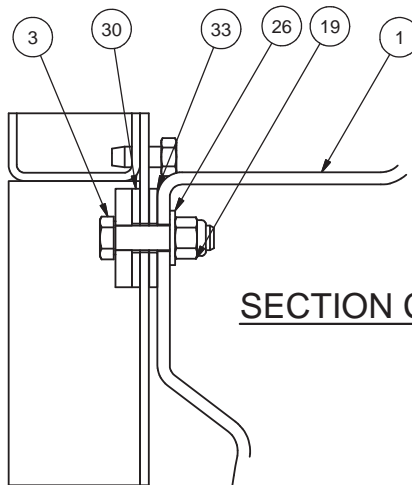
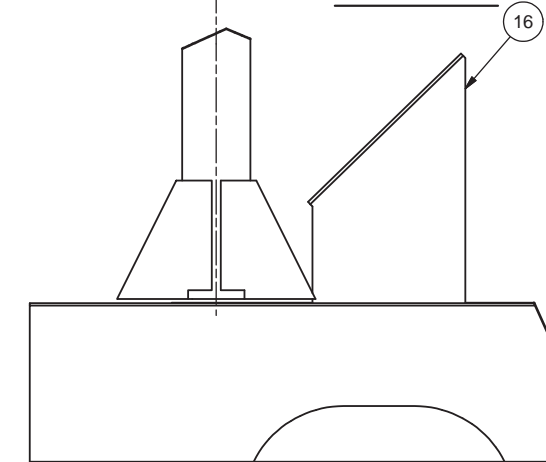


SECTION A-A

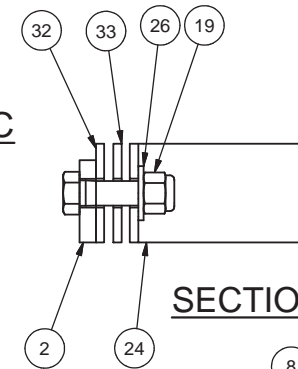


DETAIL L

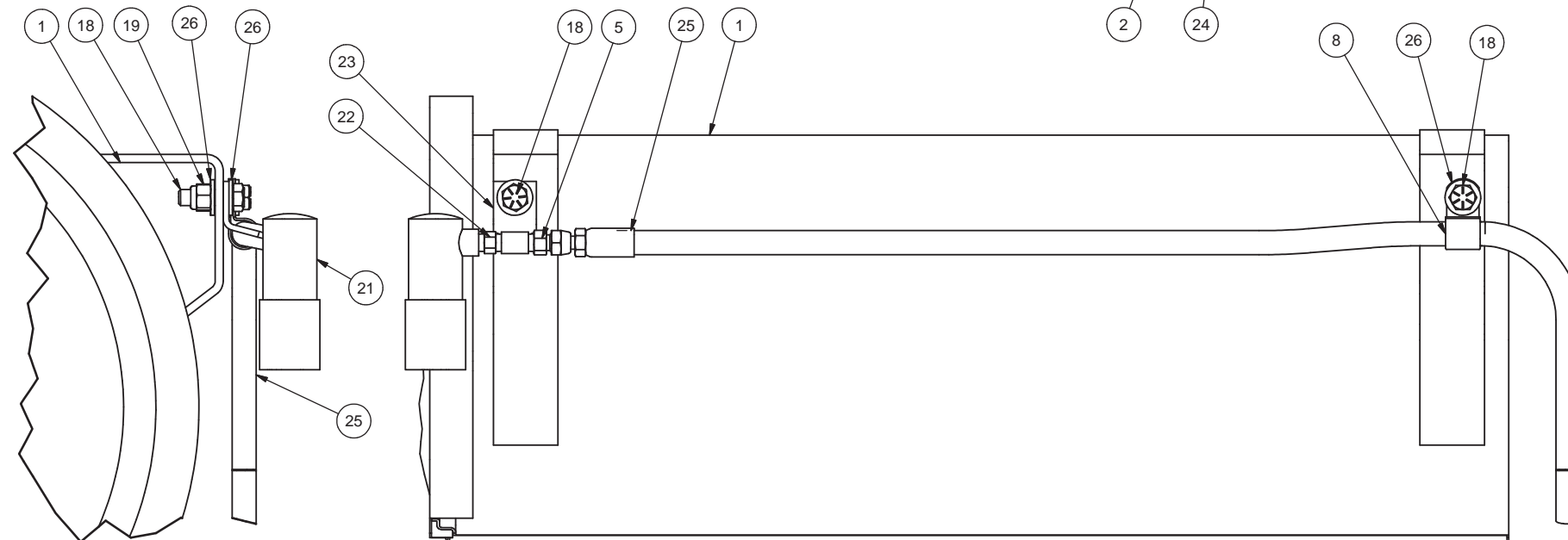
DETAIL B



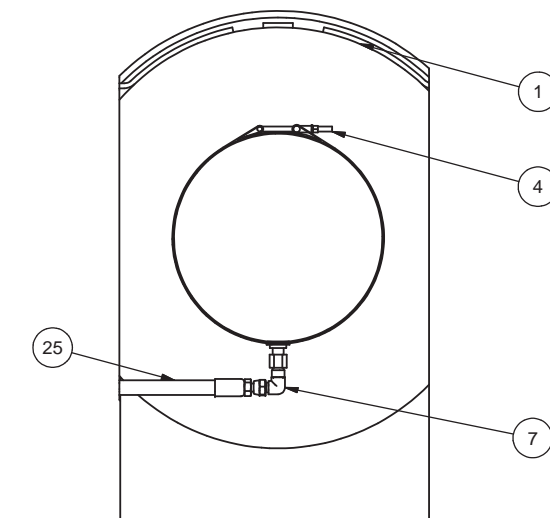
SECTION C-C



SECTION D-D



DETAIL E



SECTION F-F