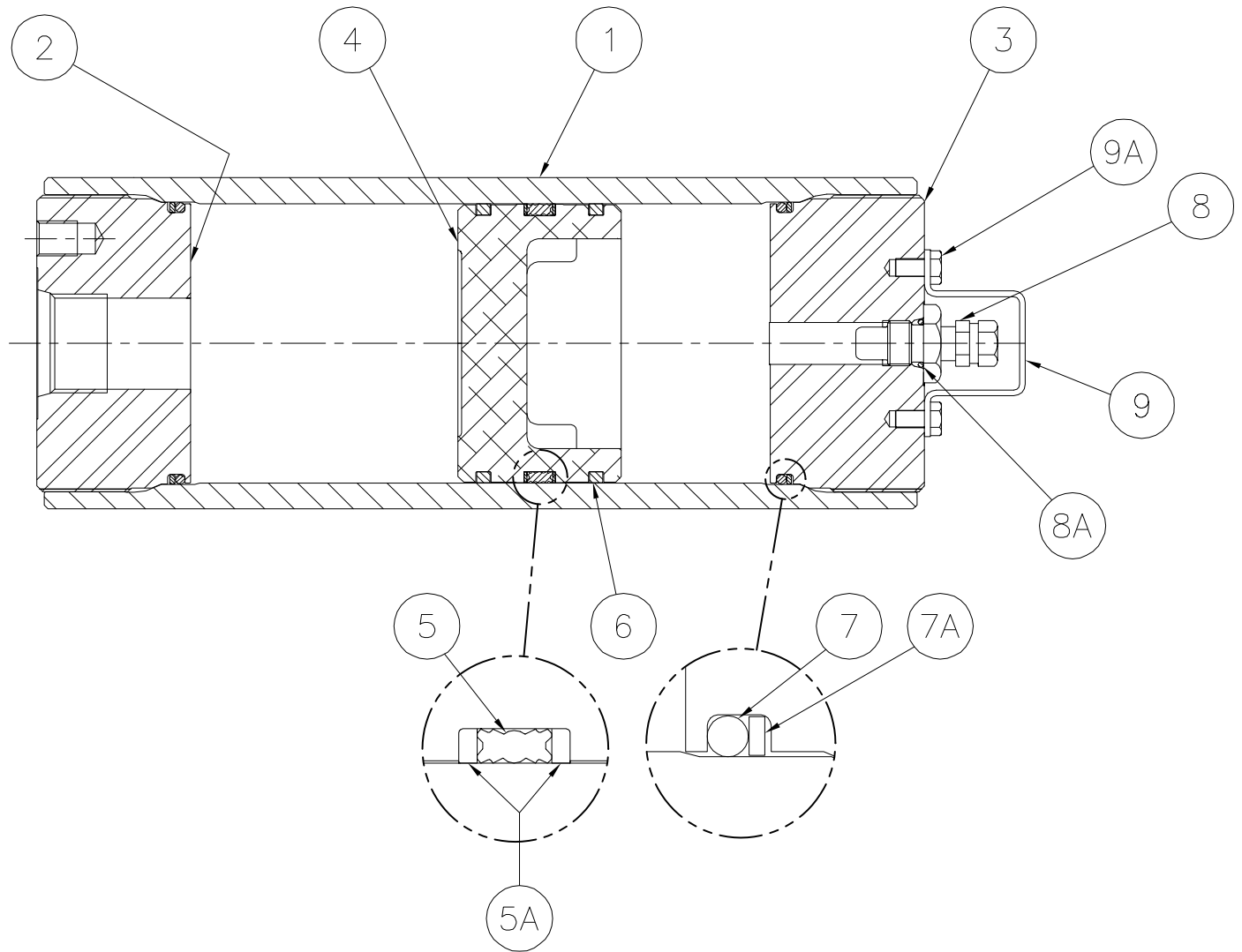


Accumulator, 1850 PSI



Item	Part No.	Qty	Description	Item	Part No.	Qty	Description
587539 Accumulator, 1850 PSI							
1	NSS	1	. Body	7	*a NSS	1	. O-Ring
2	NSS	1	. Hydraulic Cap	7A	*a NSS	1	. Backup Ring
3	NSS	1	. Gas Cap	8	R11806	1	. Gas Valve
4	*b NSS	1	. Piston	8A	*a NSS	1	. O-Ring
5	*a NSS	1	. V-O-Ring Piston Seal	9	NSS	1	. Guard
5A	*a NSS	2	. Backup Ring	9A	NSS	2	. Screw
6	*a NSS	2	. Glide Ring				

*a Included in Seal Kit 255345
 *b Use Piston Loading Sleeve 593472 for assembly into bore
 NSS Not Sold Separately