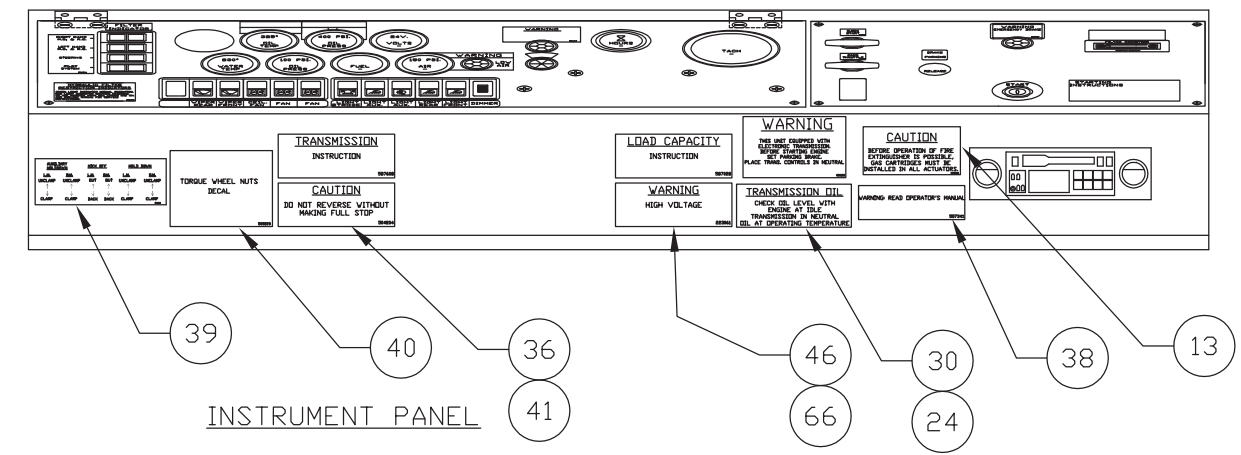
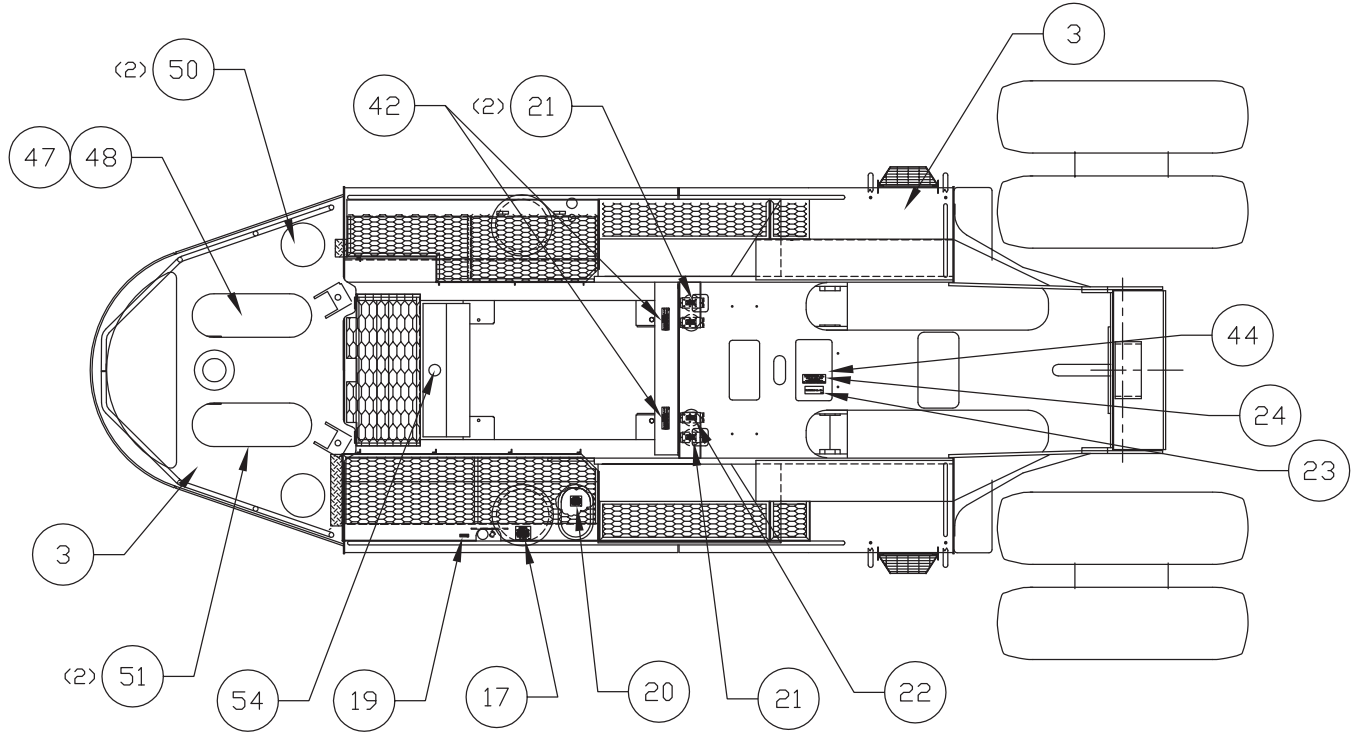
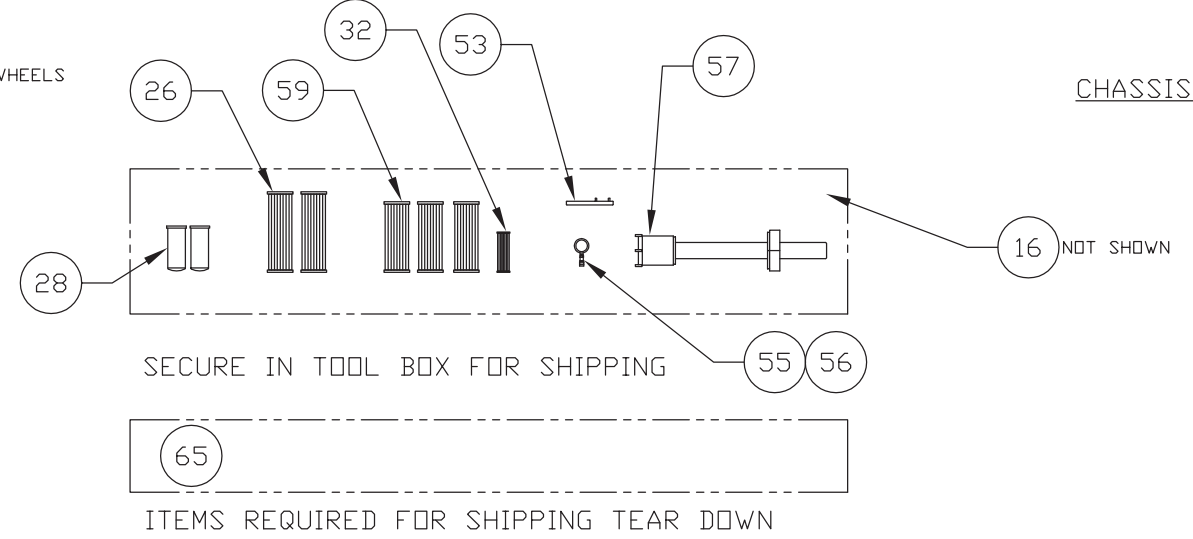
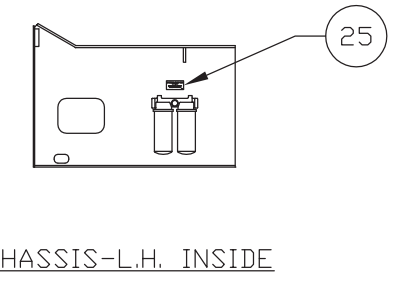
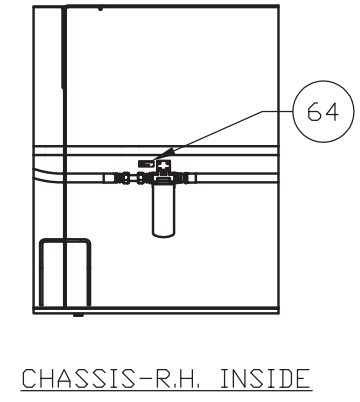
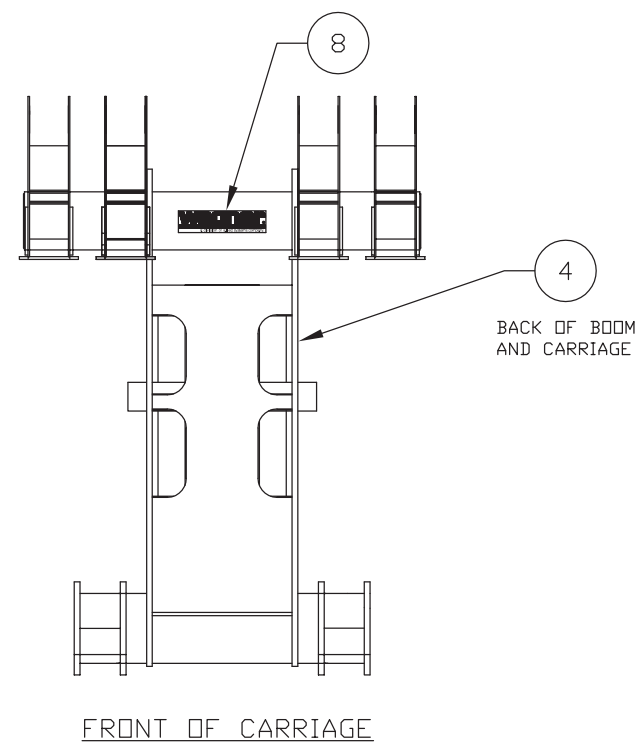
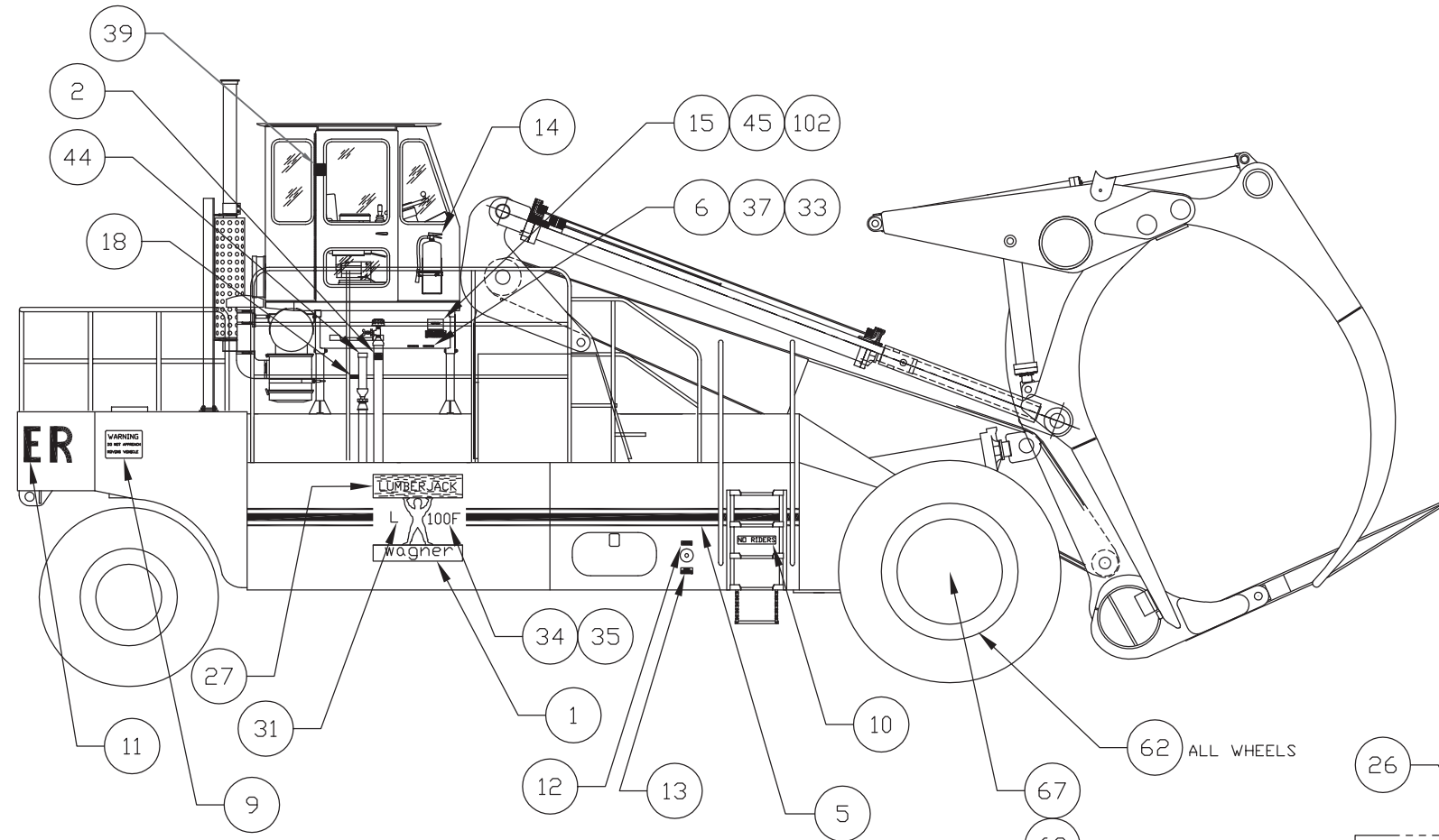


---

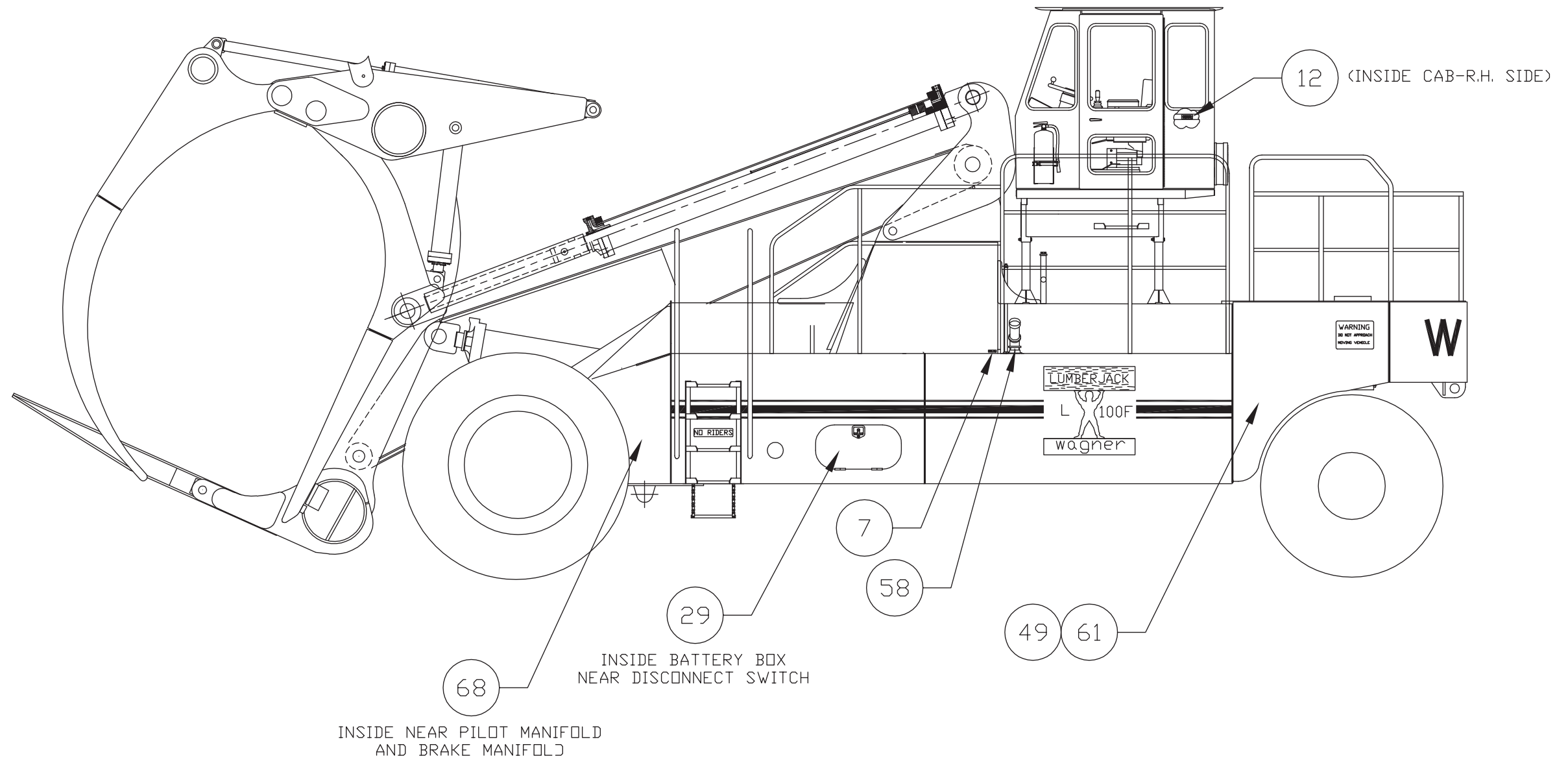
Decal Locations

## Decal Locations

Item	Part No.	Qty	Description	Item	Part No.	Qty	Description
	<b>587470</b>		<b>Decal Location</b>				
1	558504	2	. Decal; Logger	53	558533	1	. Wrench, Fire Extinguisher
2	557352	1	. Decal; Pressurized Breather	54	221340	12GL	. Anti-Freeze
3	219382	1RL	. Tape, Non-Skid	55	228041	1	. Coupler, Female
4	244353	2GL	. Paint, W/R Flat Black	56	231135	1	. Gauge
5	529474	50'	. Decal; Racing Stripe	57	537788	1	. Wrench, Spindle Nut
6	563640	1	. Decal; Oil Fill	58	219373	50GL	. Oil, Diesel Fuel
7	504195	1	. Nameplate	59	587386	3	. Element, Filter
8	558506	1	. Decal; Wagner	61	242997	26GL	. Paint, W/R Yellow Finish
9	547451	2	. Decal; Warning	62	243000	2GL	. Paint, W/R White Alkyd Enamel
10	547453	2	. Decal; No Riders	63	219374	35LB	. Oil, Grease
11	558505	1	. Decal; Wagner	64	583564	1	. Decal; Strainer Element
12	539197	2	. Decal; Fire Extinguisher	65	561587	48	. Shipping Plate
13	539226	2	. Decal; Fire Extinguisher	66	223061	1	. Decal; Warning Voltage
14	582769	1	. Fire Ext. Inst, W/Bracket	67	235720	120LB	. Lubricant, Gear
15	558098	1	. Plate	68	1321665W	2	. Decal; - Warning
16	243274	1	. Valve, Hi-Pressure	69	587641	2	. Cover Plate
17	560276	1	. Decal; Tank Pressure	70	587642	2	. Seal, Cover
18	504197	1	. Nameplate	71	18619W	4	. Capscrew
19	561918	1	. Decal; Strainer	72	587058	1	. Label; Implement Pump Inlet
20	557353	1	. Decal; Filter Pressure	73	587059	1	. Label; Steering Pump Inlet
21	587606	3	. Decal; Element	74	587060	1	. Label; Tilt Pump Inlet
22	587607	1	. Decal; Filter Element	75	587061	1	. Label; Radiator Fan Pump Inlet
23	557118	1	. Decal; Trans Oil Fill	76	587062	1	. Label; Tilt Pump Pressure
24	528880	2	. Decal; Trans Oil Level/Idle	77	587065	1	. Label; Radiator Fan Pump Press.
25	579532	1	. Decal; Replace...Element	78	587066	1	. Label; Implement Pump Pressure
26	243458	2	. Element, Filter	79	587067	1	. Label; Steering Pump Pressure
27	523145	2	. Decal; Log	80	587068	1	. Label; Brake Pump Pressure
28	247429	2	. Element	81	587069	1	. Label; Orbitrol Suppy Pressure
29	557494	1	. Decal; Battery Disconnect	82	587070	1	. Label; Brake System Pressure
30	505158	1	. Decal; Trans Instruction	83	587071	1	. Label; Pilot System Pressure
31	565935	2	. Decal; L	84	587072	1	. Label; Brake Cooling Inlet
32	587384	1	. Element, Filter	85	587073	1	. Label; Brake Cooling Return
33	236077	9GL	. Oil, Engine	86	587090	1	. Label; Steering Filter
34	565931	2	. Decal; 100	87	587091	1	. Label; Main Filter
35	573096	2	. Decal; -F-	88	587092	1	. Label; Brake/Pilot Filter
36	587608	1	. Decal; Trans Operation	89	587093	1	. Label; Hyd Cool Fan Filter
37	563641	1	. Decal; Oil Check	90	587094	1	. Label; Rad/CAC Fan Filter
38	557341	1	. Decal; Warning: Read Ops Manual	91	587095	1	. Label; Transmission Pressure
39	557726	1	. Decal; Aux Holddown/Kickoff	92	587096	1	. Label; Converter In Pressure
40	505159	1	. Decal; Wheel Nut	93	587097	1	. Label; Converter Out Pressure
41	504204	1	. Decal; Caution, Do Not Reverse...	94	587098	1	. Label; Strainer In Pressure
42	560278	2	. Decal; Caution...Baffle Plate	95	587099	1	. Label; Stariner Out Pressure
44	238206	570GL	. Oil, Hydraulic	96	587100	1	. Label; Trans Lube Pressure
45	587109	1	. Nameplate	97	587101	1	. Label; Forward Clutch Pressure
46	587028	1	. Nameplate	98	587102	1	. Label; Reverse Clutch Pressure
47	542918	28900LB	. Ballast Weight	99	587103	1	. Label; Return Filter
48	563463	1	. Ballast Arrgt	100	587104	1	. Label; Transmission Filter
49	246090	30GL	. Paint, W/R Yellow Primer	101	587105	1	. Label; Transmision Strainer
50	516699	2	. Plate, Cover	102	FD70000434	2	. Decal; Manufactured in USA
51	541869	2	. Plate, Cover	103	586693	1	. Nameplate
52	222737	2TB	. Sealer, Edge	104	249931	1	. Lockout



CA



ITEMS 72-101 ARE TEST PORT & FILTER DECALS. USE THE ANSI HYDRAULIC SCHEMATIC & HYDRAULIC SYSTEM TRANSMISSION DOCUMENTATION FOR PORT AND FILTER LOCATIONS