

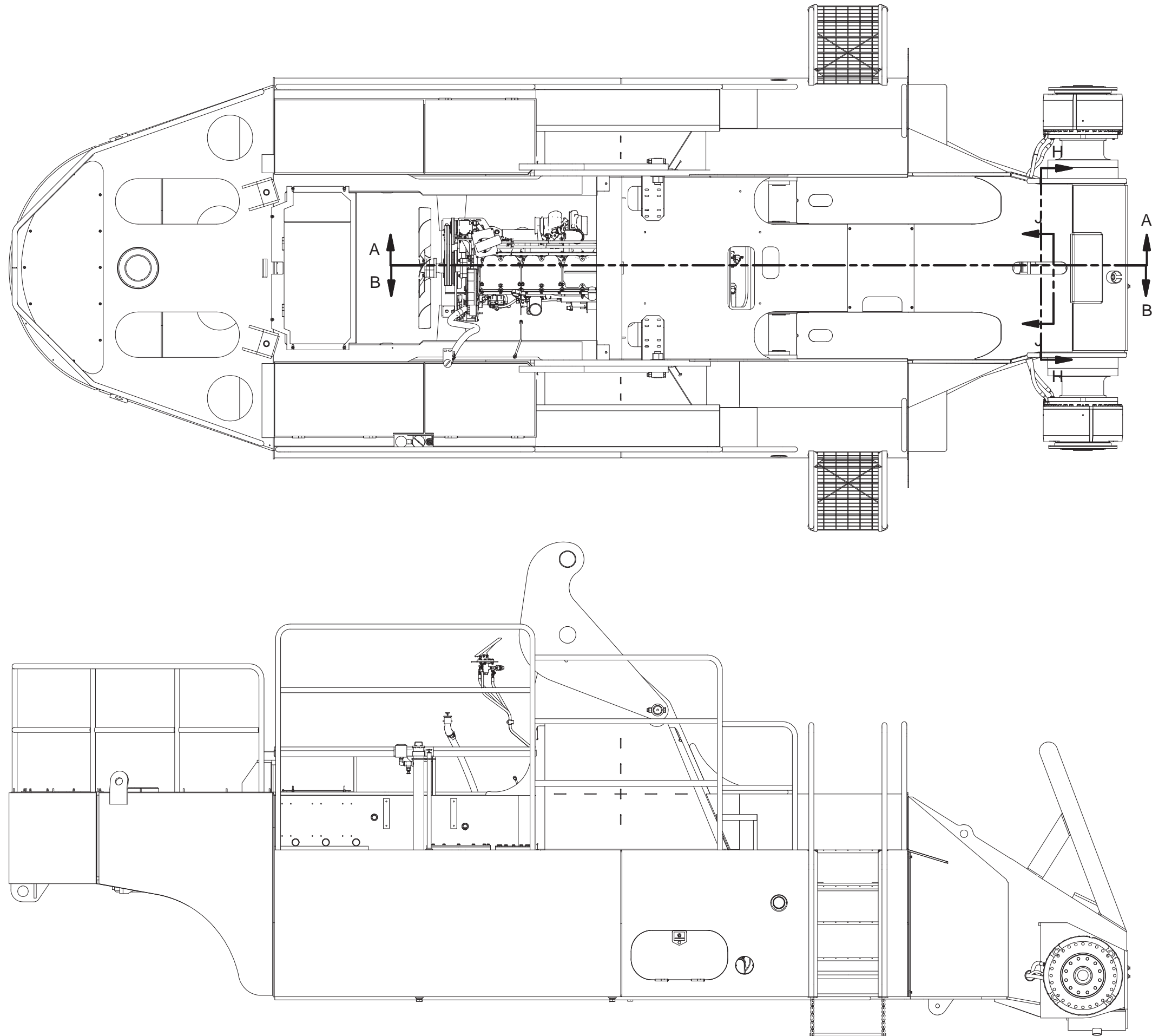
---

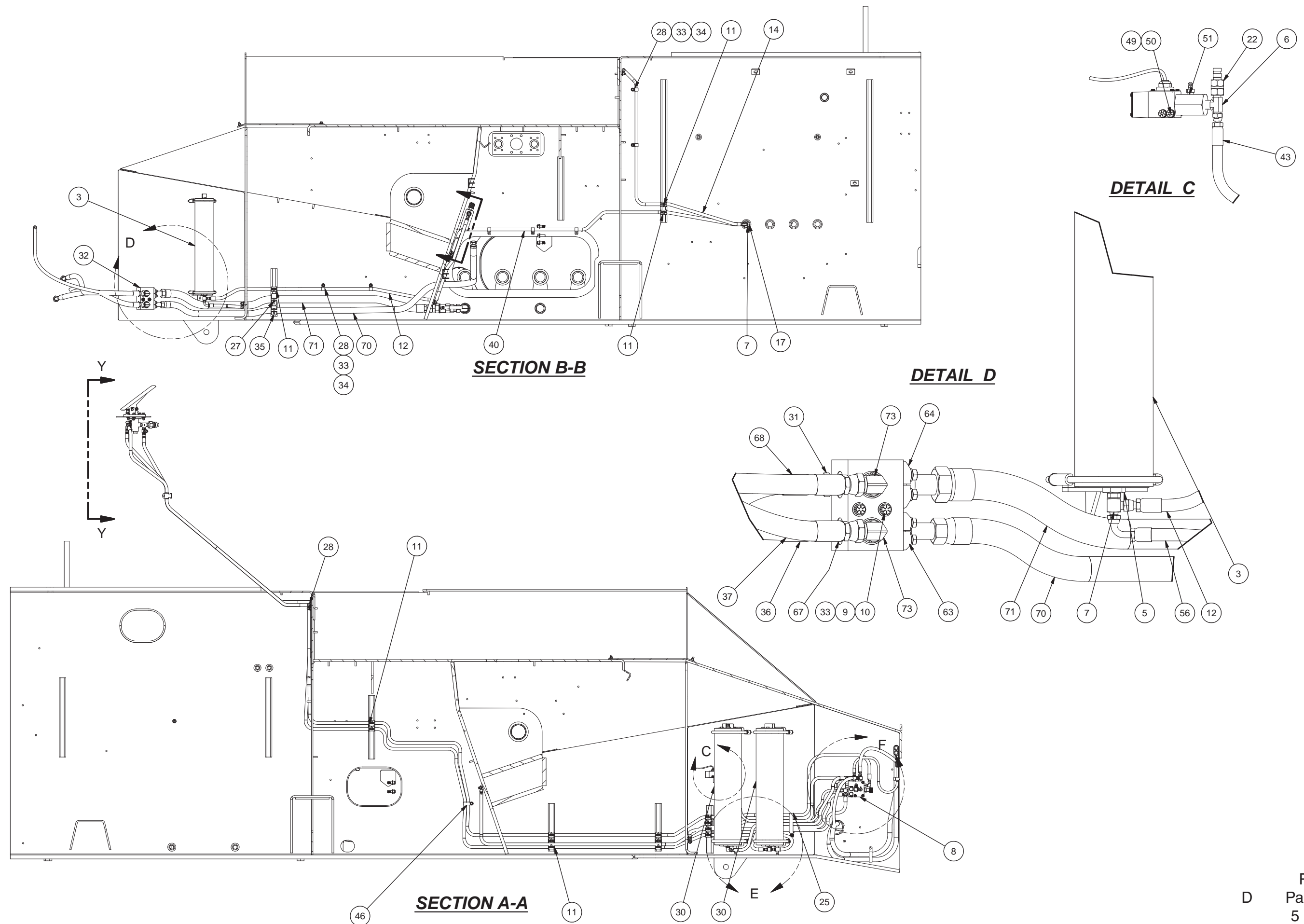
**Hydraulic System - Brakes**

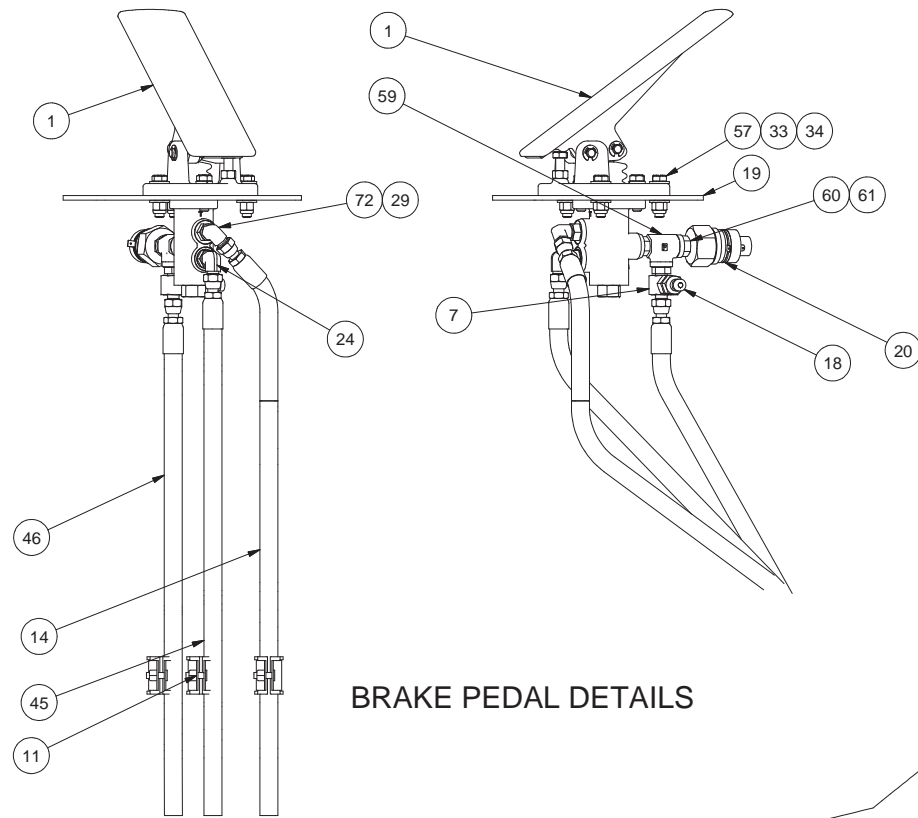
## Hydraulic System - Brakes

Item	Part No.	Qty	Description	Item	Part No.	Qty	Description
	<b>587464</b>		<b>Hydraulic System-Brakes</b>				
1	* 245024	1	. Valve, Hydraulic Brake	35	231248	1	. Clamp
2	R14293	1	. Fitting	36	588255	1	. Hose Assembly
3	* 245411	1	. Accumulator	37	588257	1	. Hose Assembly
4	11906	1	. Fitting	38	227475	1	. Hose Assembly
5	R832154	1	. Fitting	39	588254	1	. Hose Assembly
6	217482	1	. Fitting	40	588251	1	. Hose Assembly
7	223436	5	. Fitting	41	587239	1	. Hose Assembly
8	* 586172	1	. Manifold Assembly,Brakes	42	242410	2	. Hose Assembly
9	R13812514	5	. Lockwasher	43	233139	1	. Hose Assembly
10	R13811047	5	. Capscrew	45	588250	1	. Hose Assembly
11	231537	18	. Clamp, Tube	46	588252	1	. Hose Assembly
12	R12075	1	. Hose Assembly	47	R13808116	4	. Clip
13	209486	1	. Fitting	49	R13812512	2	. Lockwasher
14	247310	1	. Hose Assembly	50	R13810998	2	. Capscrew
15	23945	2	. Fitting	51	238418	1	. Switch, Pressure
16	210774	4	. Fitting	54	212717	1	. Fitting
17	587690	1	. Fitting	56	237275	1	. Hose Assembly
18	236625	1	. Coupler, Male	57	Y17C-0624	3	. Capscrew
19	577272	1	. Plate,Cover	58	227609	2	. Fitting
20	243783	1	. Switch, Pressure	59	245581	1	. Fitting
21	R2528352	5	. Clip	60	20756	1	. Fitting
22	R330325	2	. Coupler, Male	61	211564	1	. O-Ring
23	23577	2	. Fitting	62	R14082	2	. Coupler, Male
24	R13801972	4	. Fitting	63	11759	1	. Kit, Split Flange
25	209704	1	. Clamp	64	11740	1	. Kit, Split Flange
27	CLP0100200	1	. Clamp	65	236483	2	. Fitting
28	R13808094	20	. Clip	67	209215	2	. Fitting
29	211560	2	. Fitting	68	588256	1	. Hose Assembly
30	* 250658	2	. Accumulator, Piston	70	588259	1	. Hose Assembly
31	588258	1	. Hose Assembly	71	588260	1	. Hose Assembly
32	584814	1	. Manifold,Alum	72	211561	1	. Fitting
33	221767W	31	. Washer	73	209490	2	. Fitting
34	R13811191	26	. Locknut				

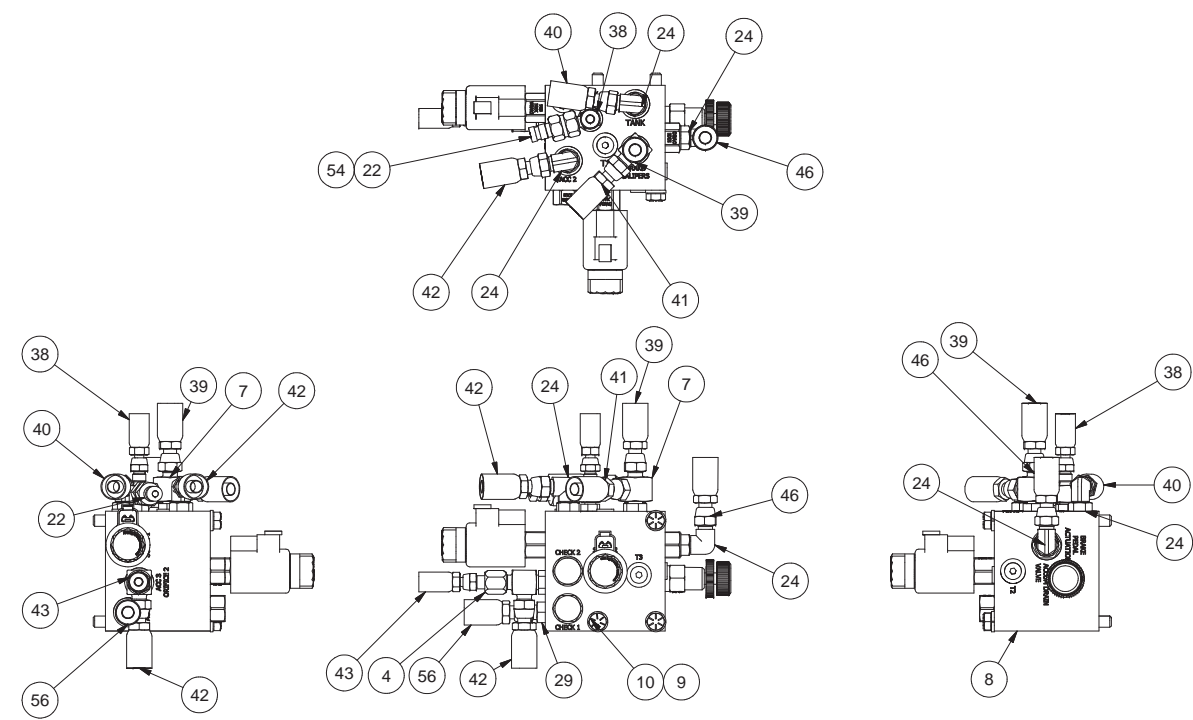
\* See Separate Coverage



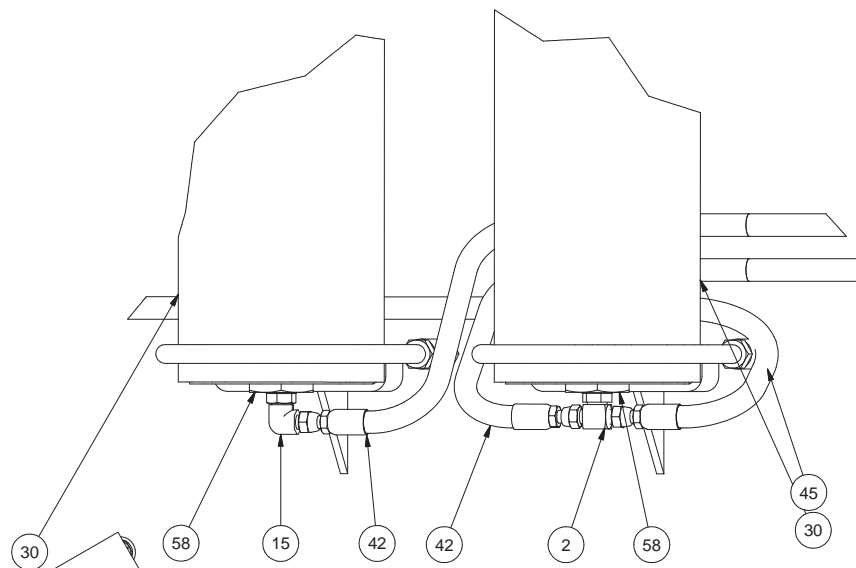
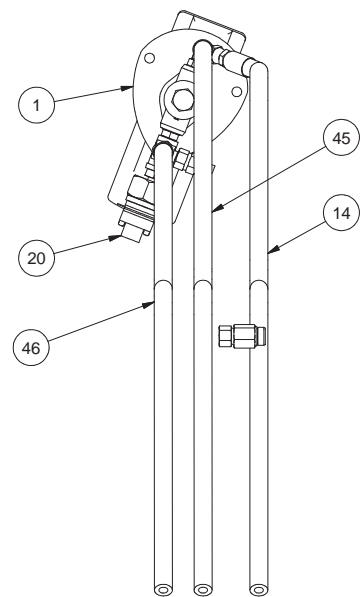




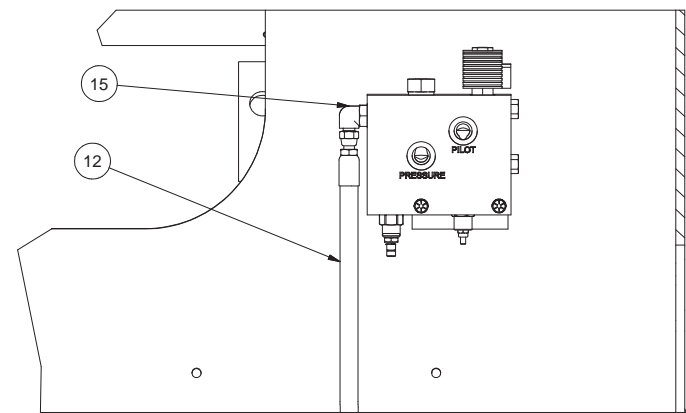
**BRAKE PEDAL DETAILS**



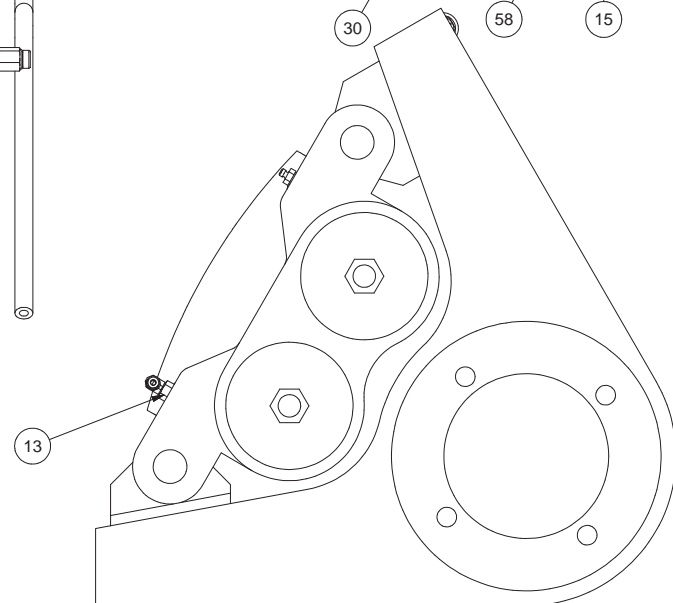
**DETAIL F**



**DETAIL E**

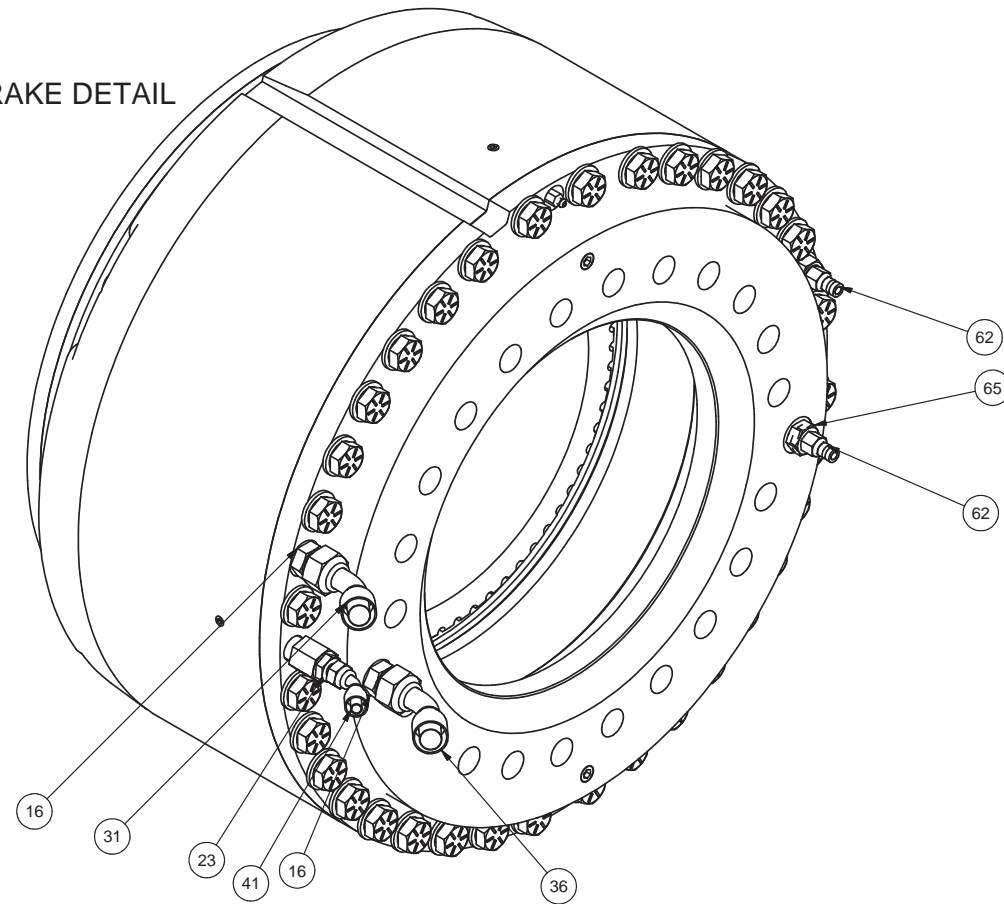


**DETAIL G**

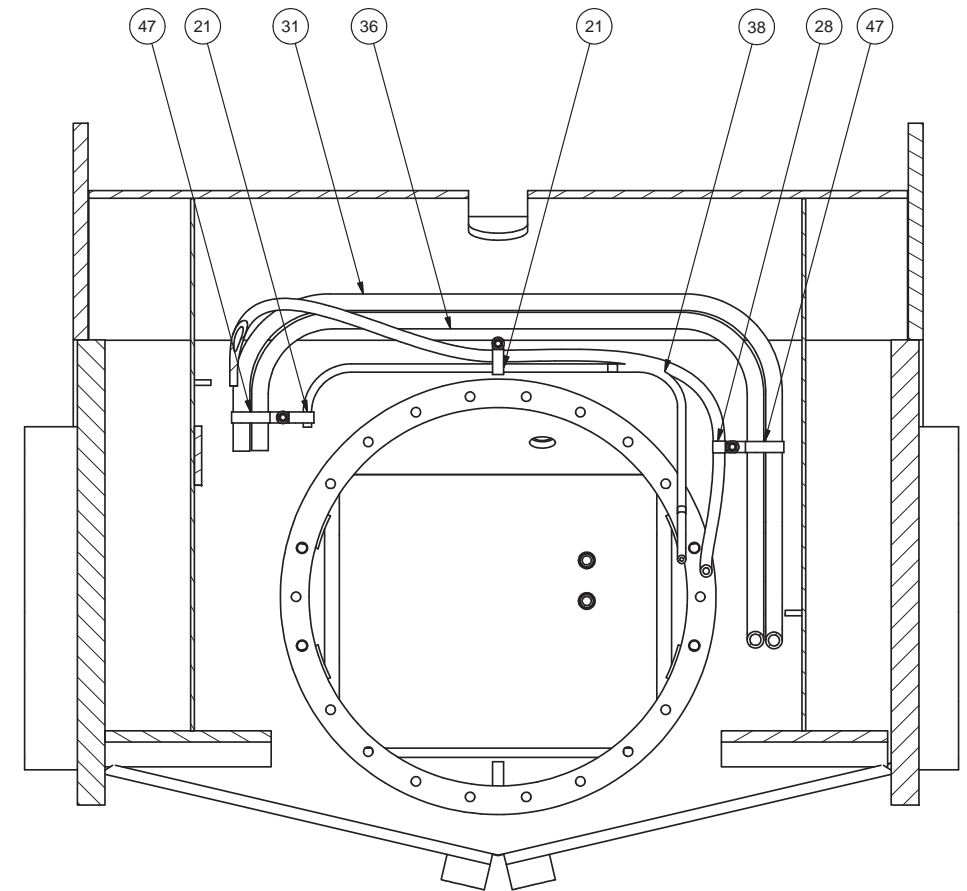
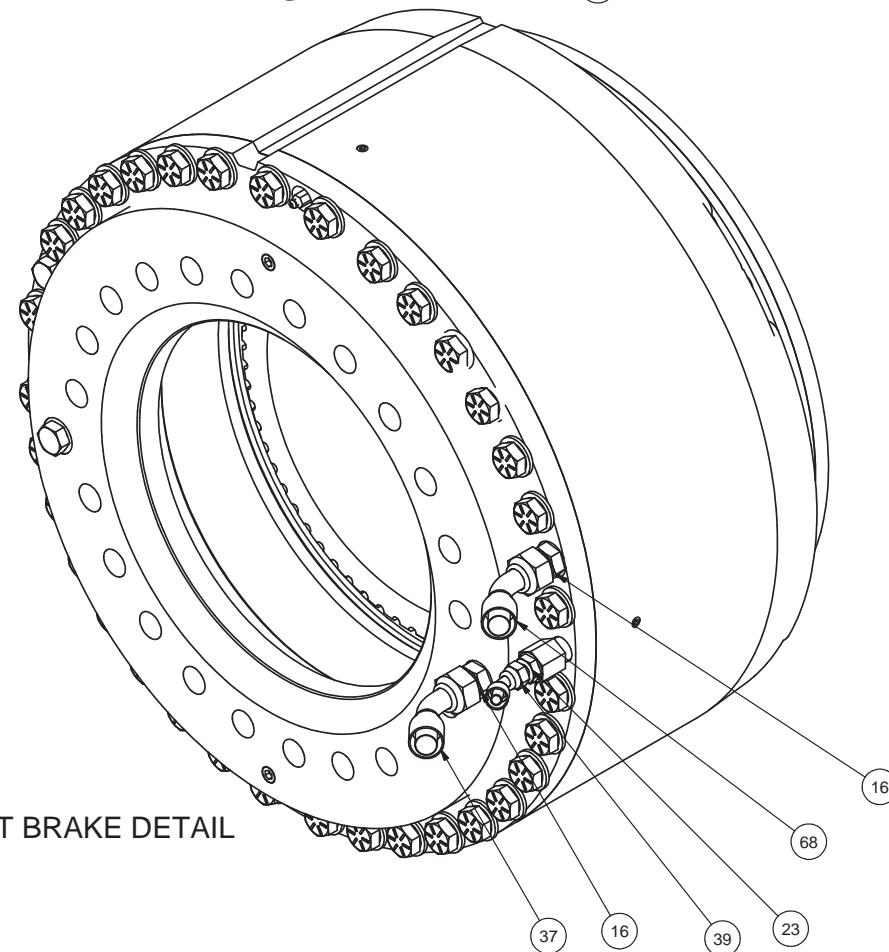


**SECTION J-J**

LEFT BRAKE DETAIL



RIGHT BRAKE DETAIL



**SECTION H-H**