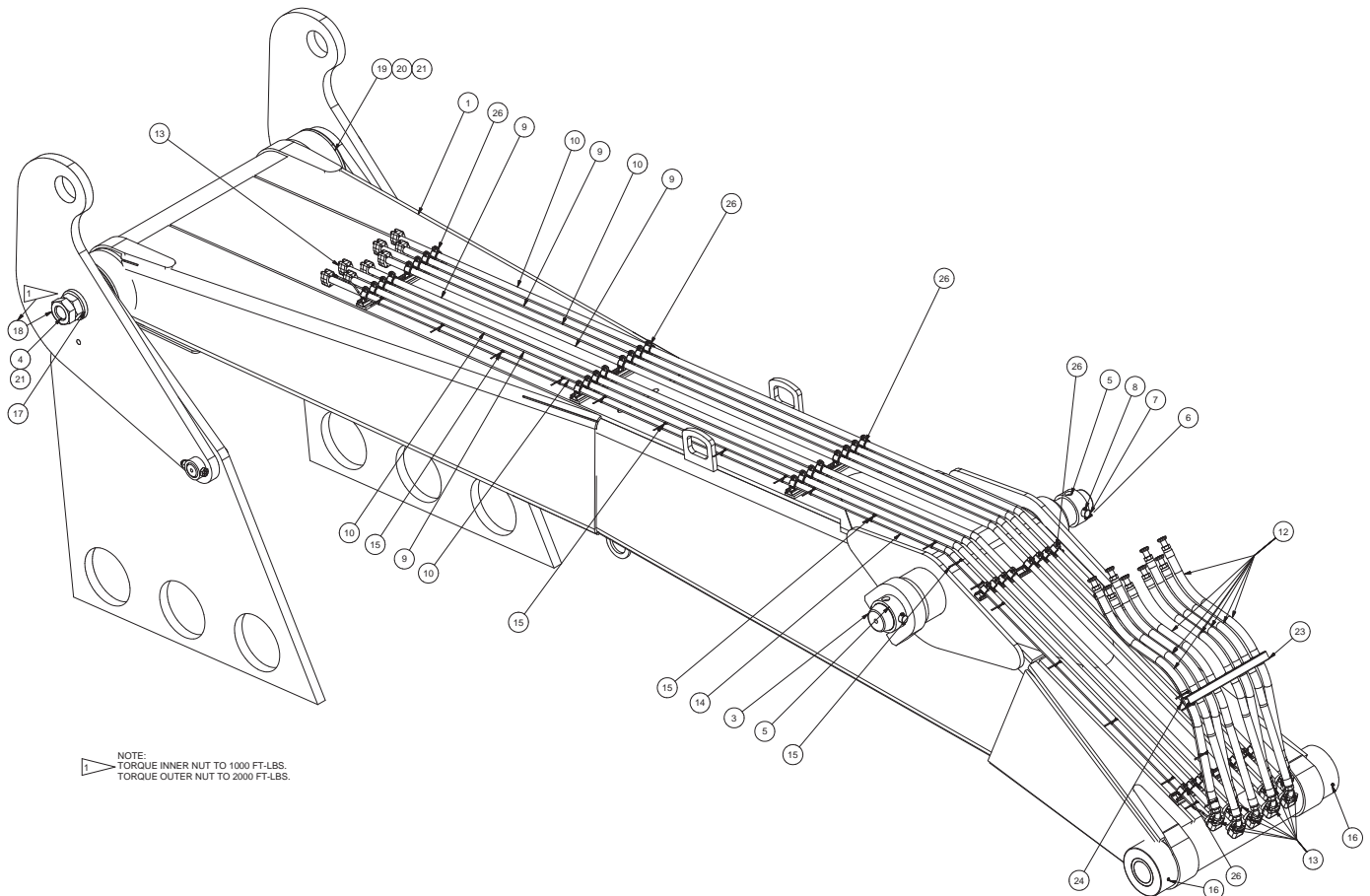


Boom Assembly



NOTE:
 TORQUE INNER NUT TO 1000 FT-LBS.
 TORQUE OUTER NUT TO 2000 FT-LBS.

Item	Part No.	Qty	Description	Item	Part No.	Qty	Description
	587451		Boom Assembly				
1	587588	1	. Boom Weldment	15	213257	22	. Tie Strap
2	538104	2	. Bushing	16	00191758	6	. Fitting, Lube, 16
3	566920	1	. Pin	17	561846	1	. Washer
4	563504	1	. Pin	18	219928	2	. Jam Nut
5	563243	3	. Lock Collar	19	567077	2	. Shim
6	R13811191	6	. Locknut	20	567078	2	. Shim
7	563280	3	. Pin	21	567079	2	. Shim
8	R13811039	6	. Capscrew	22	561170	4	. Bushing
9	584141	4	. Tube Weldment	23	580953	1	. Channel
10	584142	4	. Tube Weldment	24	231248	8	. Clamp
12	*a 236942	8	. Hose Assembly	26	231249	40	. Clamp
13	11759	16	. Kit, Split Flange				
14	587573	1	. Wire Harness, Carr Lights				

* See Separate Coverage
 *a Included in Kit 587457