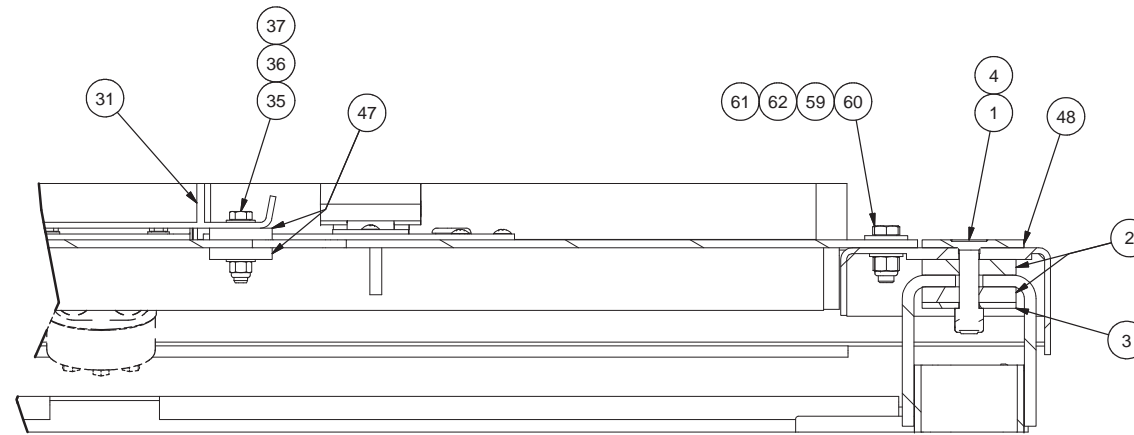

Cowl Assembly

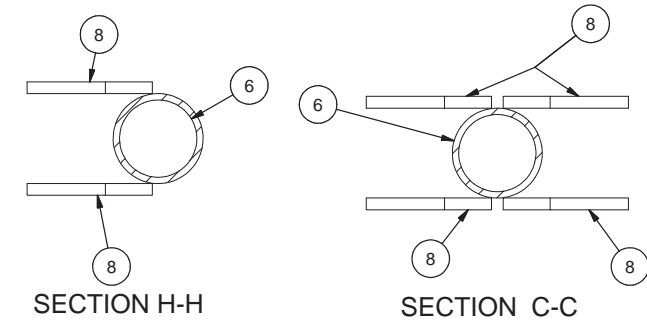
Cowl Assembly

Item	Part No.	Qty	Description	Item	Part No.	Qty	Description
	587411		Cowl Assembly				
1	240158	4	. Capscrew	36	09428830	8	. Flat Washer
2	521106	8	. Pad	37	224119	4	. Nut, Esna
3	521125	4	. Spacer	38	570639	1	. Plate,Mounting
4	224121	8	. Nut, Esna	39	R13801791	2	. Capscrew
5	221642W	4	. Capscrew	40	563886	2	. Guard
6	533716	4	. Pipe, Support	41	232182	1	. Knob, Spinner
8	562366	12	. Gusset	43	00103339	20	. Flat Washer
9	* 577625	1	. Column ,Strg	44	223654	16	. Locknut
10	* 252418	1	. Pedal Assembly	45	R13810856	4	. Capscrew
11	* 580598	1	. Shifter ,Trans	46	540528	2	. Step Weldment
12	578489	1	. Plate	47	560858	4	. Bar,Spacer
13	200301	4'	. Molding	48	574056	4	. Plate
14	580223	1	. Floor Weldment,Cowl	49	571495	4	. Bolt, Step
15	222441	4	. Locknut	50	242377	4	. Capscrew
16	* 587528	1	. Junction Box Assembly	51	R13808536	2	. Capscrew
17	* 587533	1	. Panel Assembly, Instrument	52	577424	1	. Spacer Assembly
18	223146	11	. Machine Screw	53	072-0073	1	. Latch, Lid Stay
19	576834	1	. Superstructure Weldment	54	00100738	2	. Machine Screw
20	581740	1	. Cowl Weldment	55	573235	1	. Cover
21	159812W	2	. Capscrew	56	Y25G-(1024)124		. Capscrew
22	578008	1	. Plate,Pedal Mt	57	00103338	10	. Flat Washer
23	244506	1	. Steering Wheel	58	224191	6	. Nut, Esna
24	580583	1	. Bracket Weldment	59	570391	9	. Washer, Sq
25	230496	1	. Cap, Horn	60	200454W	9	. Capscrew
26	* 587410	1	. Panel Assembly, Terminal	61	R13811193	9	. Locknut
27	Y17C-0624	2	. Capscrew	62	222615	9	. Flat Washer
28	208264	1	. Grommet	63	R13809017	12	. Machine Screw
29	222598	20	. Hard Washer	64	221750	8	. Stud, Weld
30	* 236982	1	. Seat W/O Arms	65	00103340	2	. Flat Washer
31	* 231800	1	. Pedestal & Swivel Assembly	66	R13801782	4	. Capscrew
32	224120W	2	. Capscrew	67	R13804476	2	. Machine Screw
33	240259	1	. Kit, Seatbelt Hdwe	68	238596	2	. Nut, Esna
34	215096	1	. Belt, Safety	69	R13811437	4	. Flat Washer
35	00179866	4	. Capscrew				

* See Separate Coverage

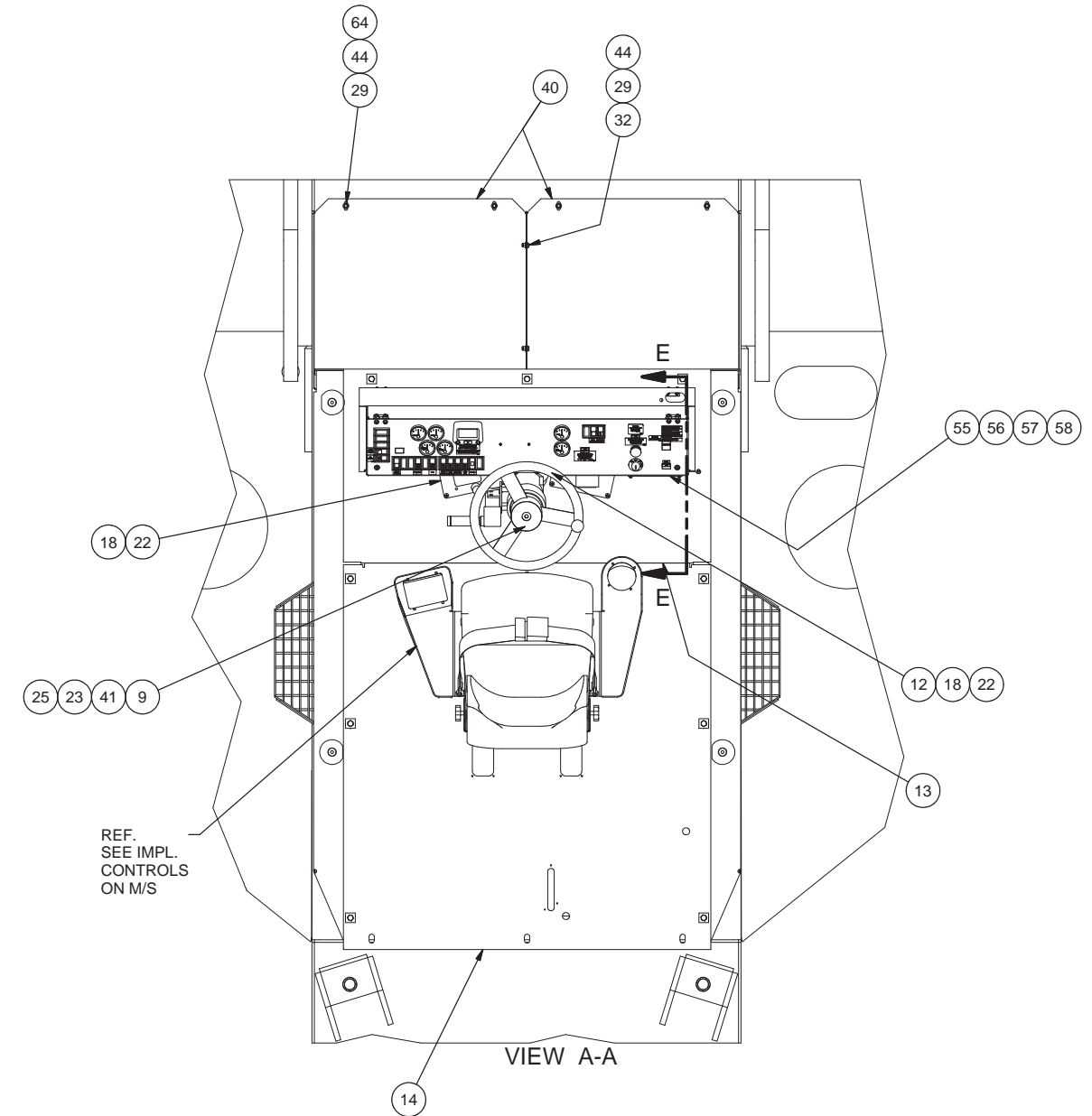
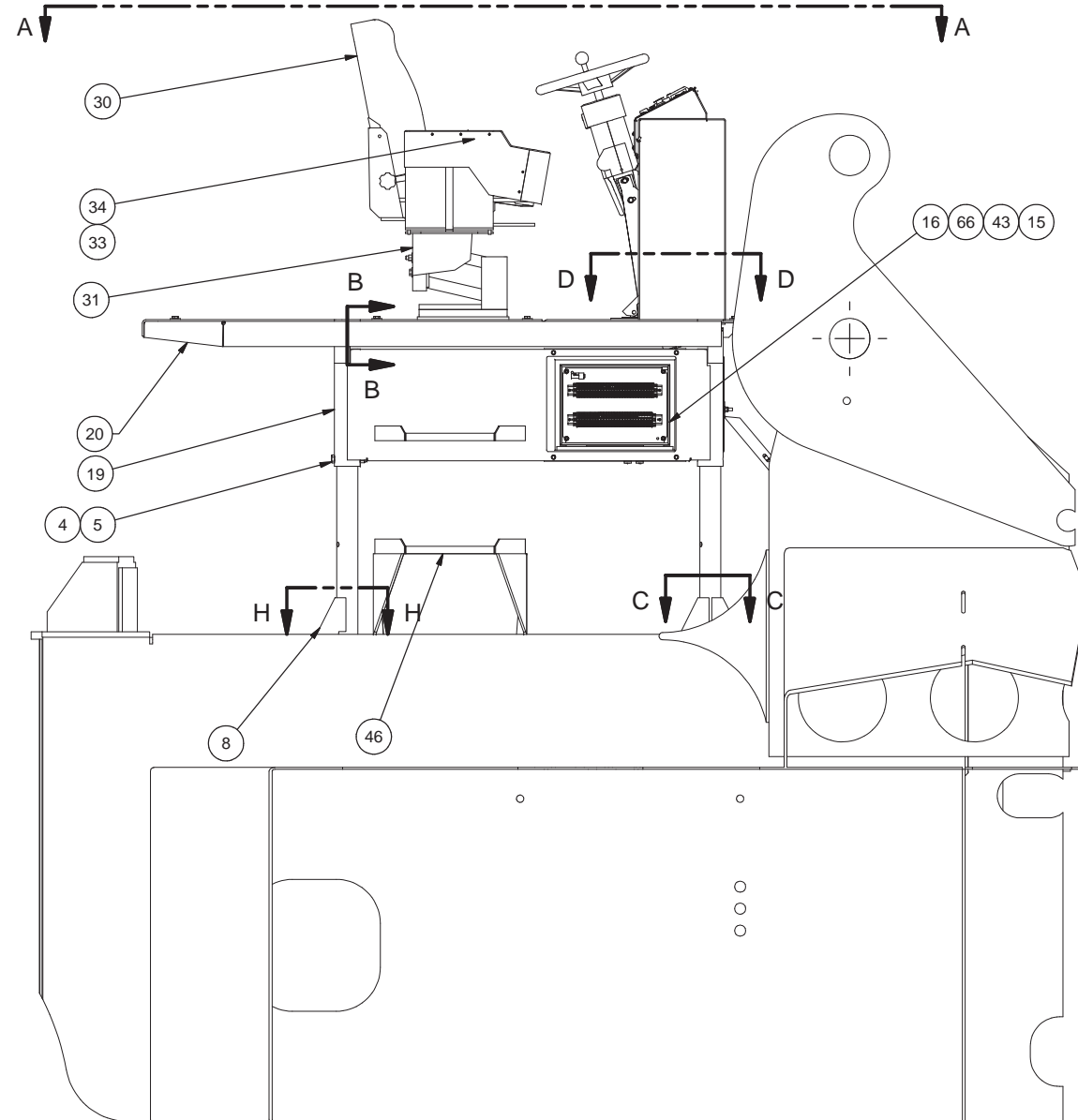


DETAIL B



SECTION H-H

SECTION C-C



VIEW A-A

