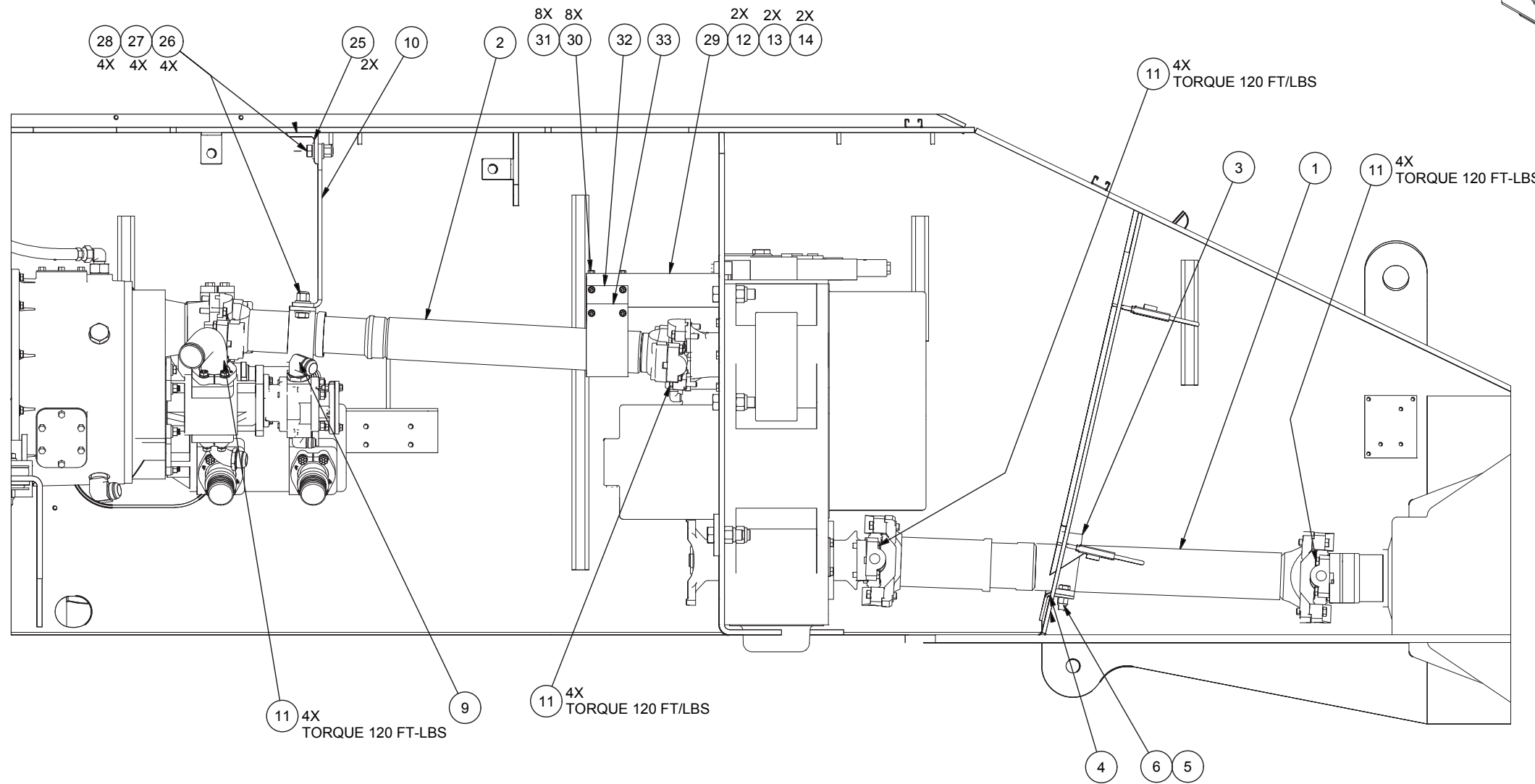
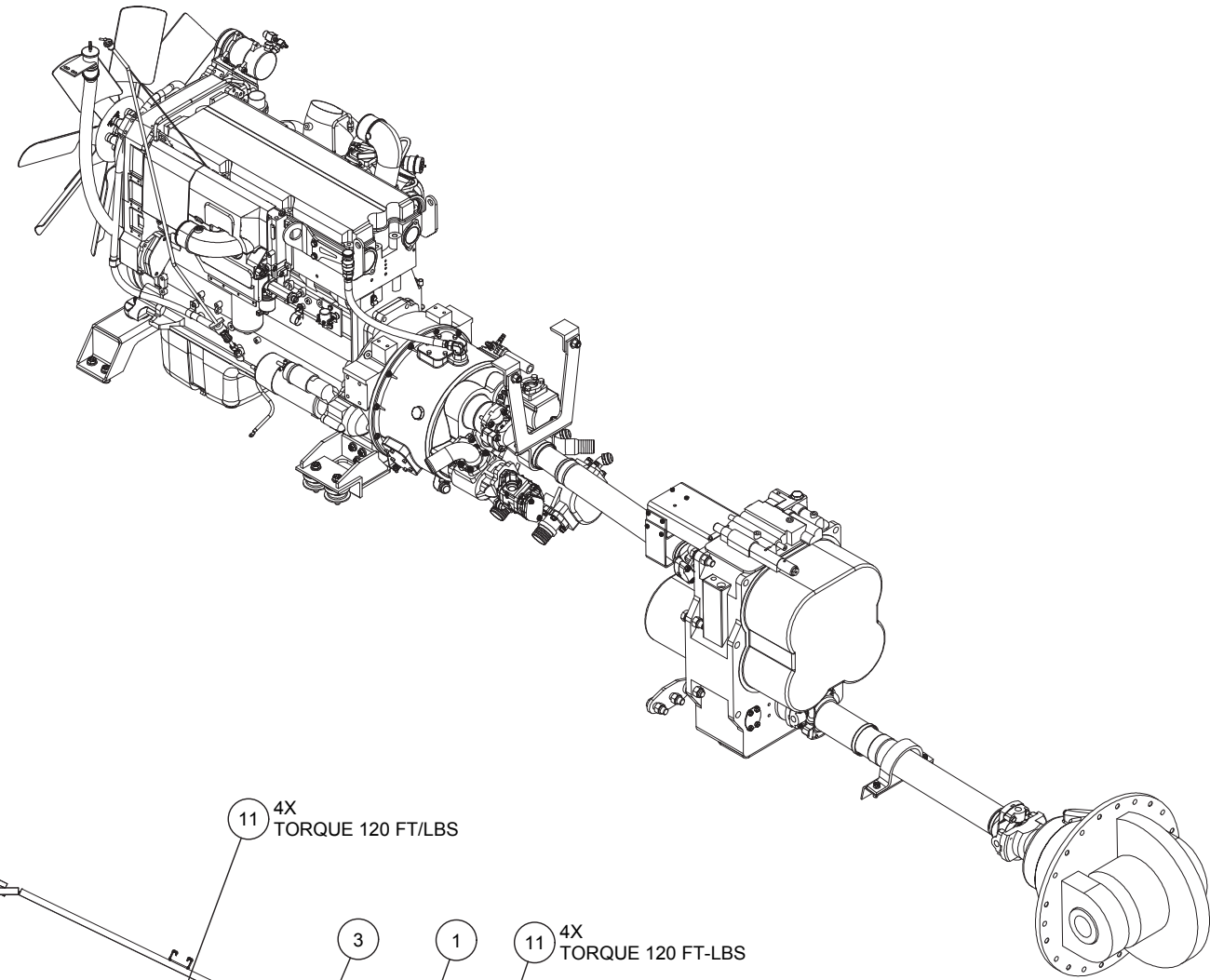
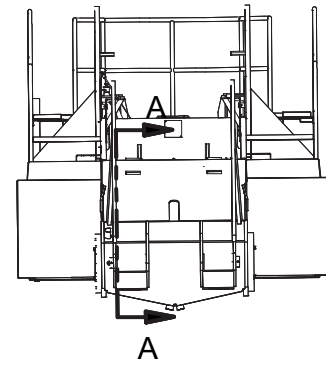

Driveline Installation

Driveline Installation

Item	Part No.	Qty	Description	Item	Part No.	Qty	Description
	587396		Driveline Installation				
1	* 249020	1	. Driveline Assembly	25	563451	2	. Angle
2	* 249025	1	. Driveline Assembly	26	Y17C-1232	4	. Capscrew
3	528830	1	. Shield	27	00106268	8	. Flat Washer
4	529630	1	. Bracket	28	R13811196	4	. Locknut
5	Y17C-1032	2	. Capscrew	29	557039	1	. Bracket
6	R13811195	2	. Locknut	30	Y17C-0624	8	. Capscrew
9	522154	1	. Guard	31	R13811191	8	. Locknut
10	592183	1	. Bracket	32	578691	1	. Plate,Guard
11	221575W	16	. Capscrew	33	578782	1	. Plate,Guard
12	200454W	2	. Capscrew				
13	223634	2	. Flat Washer				
14	234665	2	. Lockwasher				
							* See Separate Coverage



SECTION A-A

AB