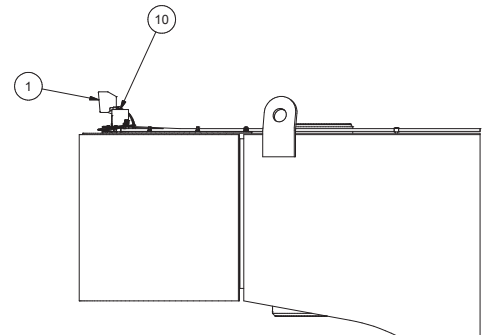
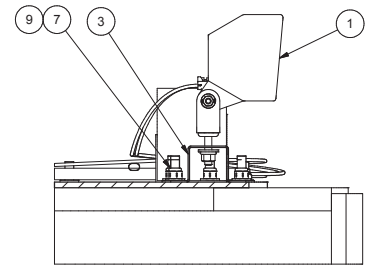
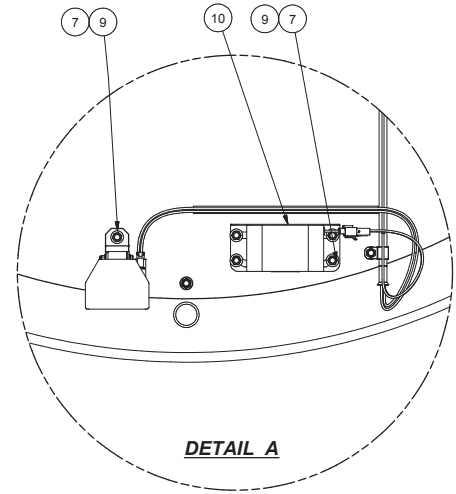
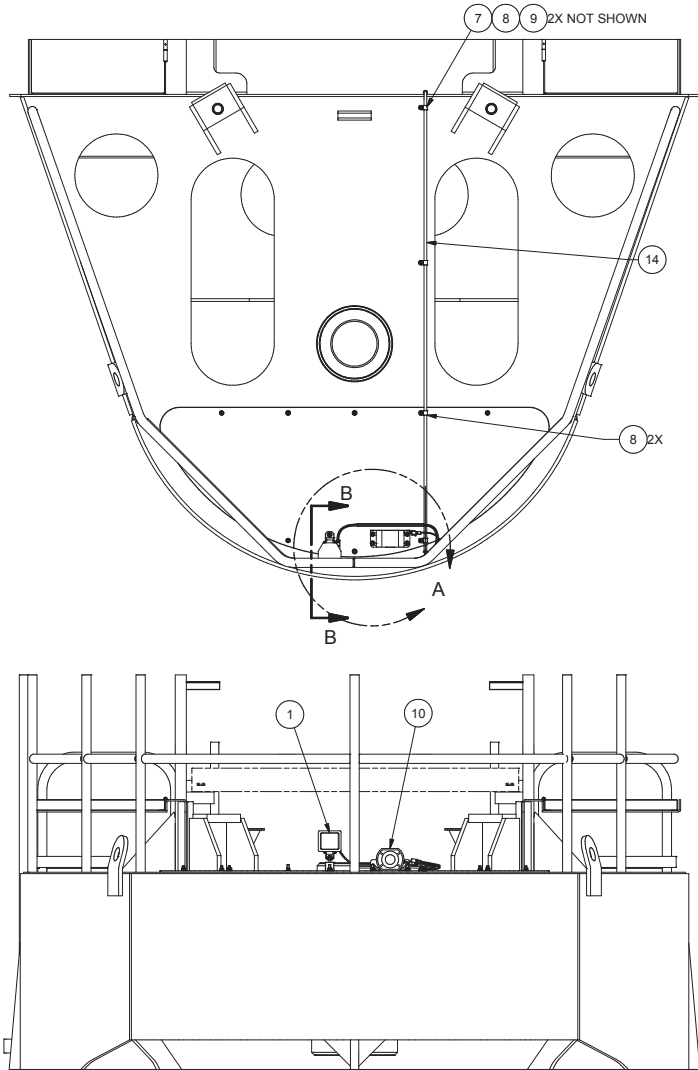


Reverse Alarm/2WD Installation



Item	Part No.	Qty	Description	Item	Part No.	Qty	Description
<b>Reverse Alarm/2WD Installation</b>							
1	259080	1	. Light	8	209578	4	. Clamp
2	N/A	-	.-	9	221767W	9	. Washer, Flat
3	587835	1	. Bracket	10	R19361	1	. Alarm, Reverse
4	N/A	-	.-	14	589106	1	. Tube
7	223654	9	. Nut, Lock				