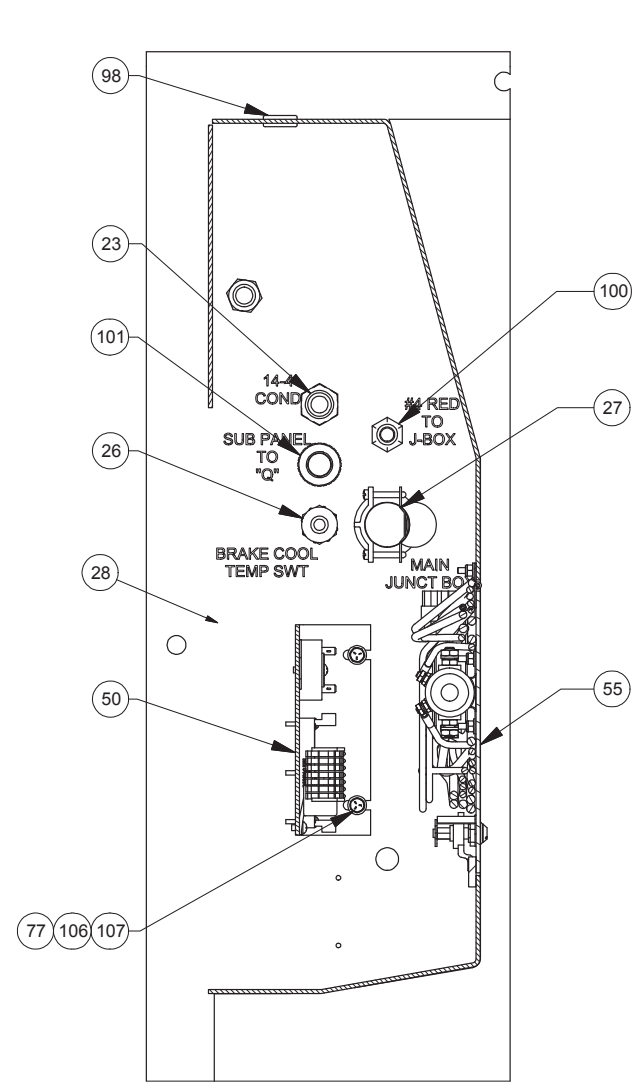

Cowl Assembly

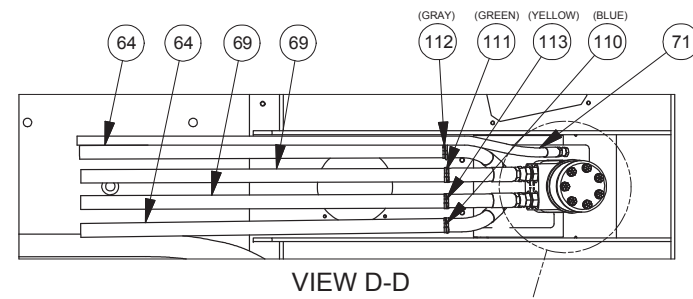
Cowl Assembly

Item	Part No.	Qty	Description	Item	Part No.	Qty	Description
	585225		Cowl Assembly				
1	584430	1	. Cowl Weldment	56	241761	4	. End Stop
2	232182	1	. Knob, Spinner	57	236485	1	. Frame, Mounting
3	* 584417	1	. Instrument Panel Assembly	58	578963	1	. Wire Harness
4	* 581594	1	. Floor Mat Installation	59	237495	1	. Symbol, Out-Of-Gear
5	224118	2	. Nut, Esna	60	234509	3	. Cover, Blank
6	230282	8	. Flat Washer	61	578964	1	. Wiring, Console
7	235038	3'	. Weatherstrip	62	578966	1	. Decal
8	* 579408	1	. Column ,Steering	63	R840286	2	. Louver
9	244506	1	. Steering Wheel	64	254235	2	. Hose Assembly
10	R13656	3	. Switch, 24V	65	* 246923	1	. Pedal Assembly, Elec Throttle
11	234651	1	. Button, Horn	66	242949	1	. Terminal, Fuse
12	585953	1	. Plate, Mounting	67	246924	2	. Fuse
13	Y17C-0624	2	. Capscrew	68	* 245672	1	. Controller, Elec/Mech Shift
14	159812W	2	. Capscrew	69	254234	2	. Hose Assembly
15	236502	2	. Pilot Lamp	70	209805	3	. Fitting
16	R13810856	4	. Capscrew	71	253876	1	. Hose Assembly
17	201570	4	. Spring Washer	72	252512	1	. Steering Unit
18	224222	4	. Vibration Dampener	73	234393	1	. Check Valve
19	221664W	4	. Capscrew	74	209486	1	. Fitting
20	00106268	7	. Flat Washer	75	578588	1	. Angle
21	223188	3	. Locknut	76	Y09G-0408	4	. Capscrew
22	236503	1	. Lens, Red	77	00103319	2	. Lockwasher
23	219517	1	. Connector, Cord	78	240142	2	. Capscrew
24	237346	1	. Lens, Yellow	79	578965	1	. Wire Harness, Throttle
25	234495	8	. Capscrew	80	574813	1	. Plate, Cover
26	227374	1	. Connector, Cord	81	236504	1	. Lens, Green
27	226049	3	. Connector, Cord	82	234757	2	. Capscrew
28	578958	1	. Wire Harness, Lower Console	83	R13811189	4	. Locknut
29	R15591	1	. Plate, Dome	84	Y25G-0408	3	. Capscrew
30	220577	1	. Connector, Cord	85	* 585227	1	. Junction Box Assembly
31	224191	8	. Nut, Esna	86	234740	1	. Frame, Mounting
32	00103338	9	. Flat Washer	87	580120	1	. Decal
33	236488	1	. Switch, On/Off/On	89	576690	1	. Decal
34	22628	27IN	. Rail, Din	90	546943	1	. Decal
35	241769	1	. Diode	91	581484	1	. Decal
36	236827	95	. Terminal Block	92	579641	1	. Decal
37	236828	2	. End Plate	93	566954	1	. Decal
38	232239	25	. Jumper	94	572563	1	. Decal
39	R10547	1	. Buzzer	95	248579	1	. Lens, Air Cleaner
40	207155	1	. Switch, Ignition W/Keys	96	234507	2	. Symbol, Fan
41	505158	1	. Decal	97	236920	1	. Switch, Wiper
42	232236	2	. End Plate	98	256328	2	. Grommet
43	578489	1	. Plate	99	208264	1	. Grommet
45	243472	1	. Symbol, Switch	100	222544	3	. Connector, Cord
46	234736	2	. Switch, 24V	101	220579	2	. Connector, Cord
	234508	1	. Socket	102	257111	4	. Machine Screw
	236901	1	. Bulb	103	R13811438	4	. Flat Washer
47	R15512	1	. Symbol, Ether Start	104	Y09G-(1024)084	4	. Capscrew
50	* 583370	1	. Sub-Panel Assembly, Relay	105	Y09G-0412	2	. Capscrew
51	234264	1	. Control Unit	106	18460W	2	. Capscrew
52	571461	1	. Decal	107	R13811443	5	. Flat Washer
53	571430	1	. Decal	108	Y25G-0512	8	. Capscrew
54	225649	1	. Light, Reducer Panel	109	R13811444	8	. Flat Washer
55	* 585277	1	. Panel Assembly,Door	110	242599	2	. Cable Tie
				111	242598	2	. Cable Tie
				112	242588	2	. Cable Tie
				113	242597	2	. Cable Tie

* See Separate Coverage

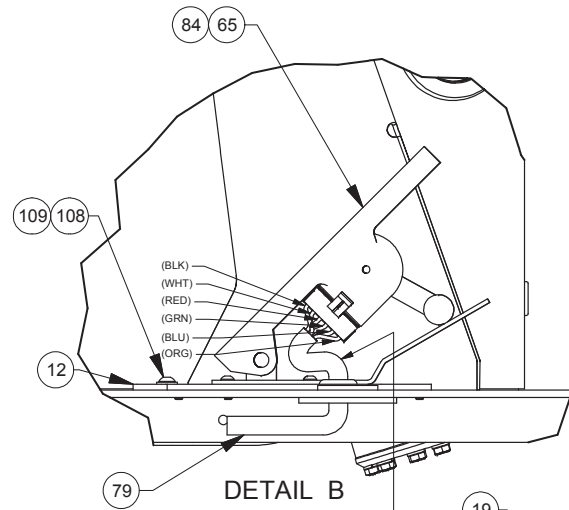
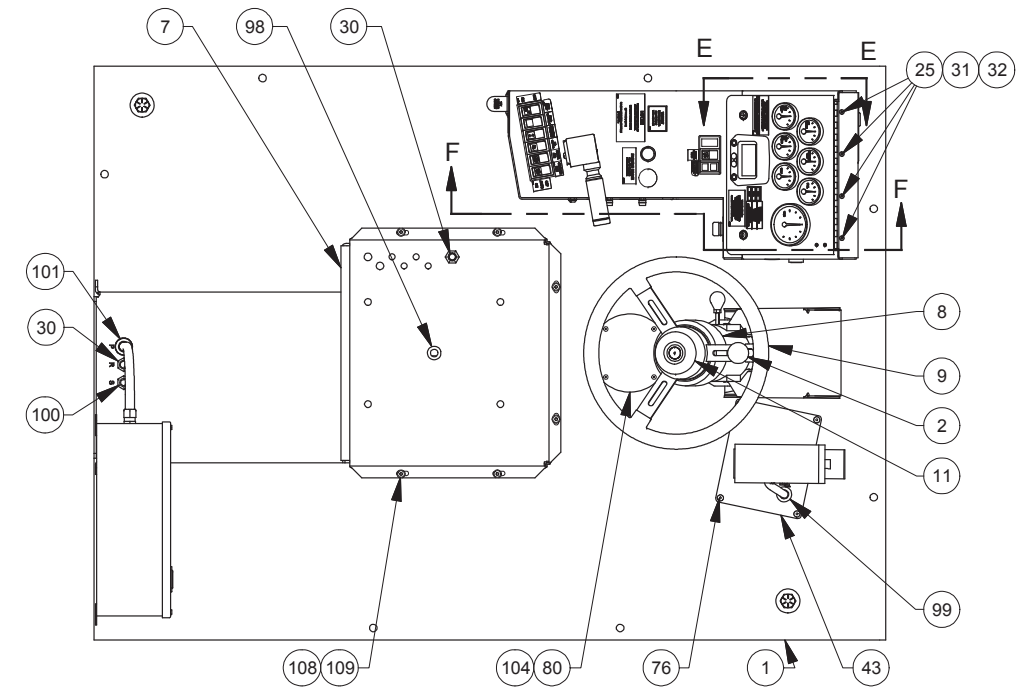
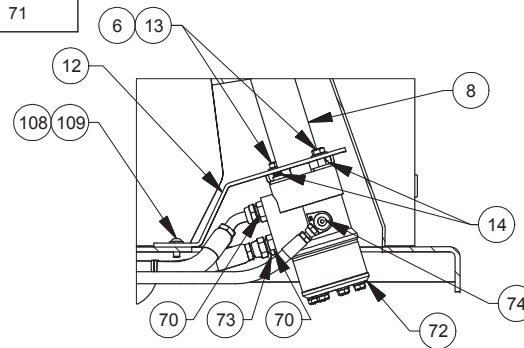
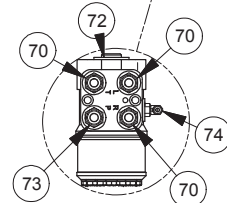


SECTION A-A



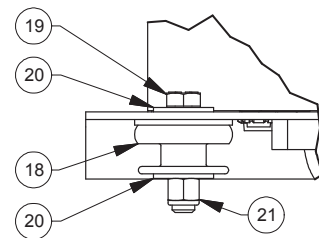
VIEW D-D

HOSE COLOR CODE CHART		
VALVE PORT	HOSE COLOR CODE	ITEM No.
"P"	YELLOW	69
"T"	BLUE	64
"R"	GREEN	69
"L"	GRAY	64
"LS"	N/A	71



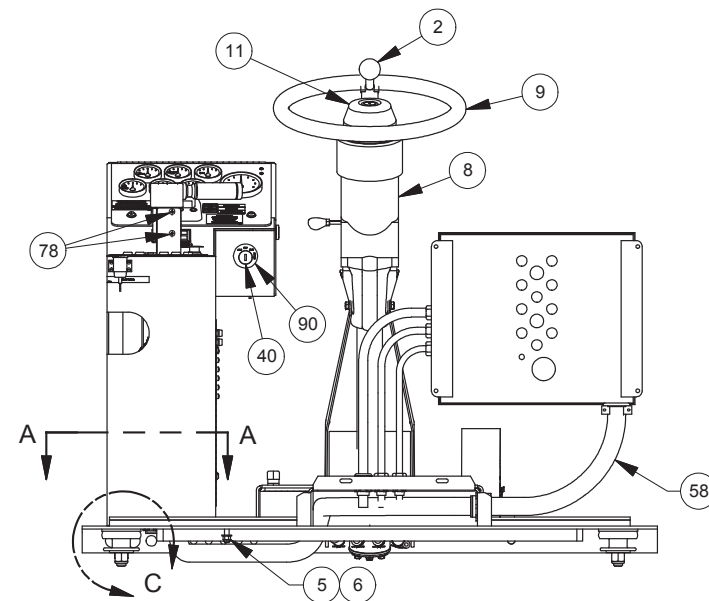
DETAIL B

SUPPLIED WITH THROTTLE TREADLE

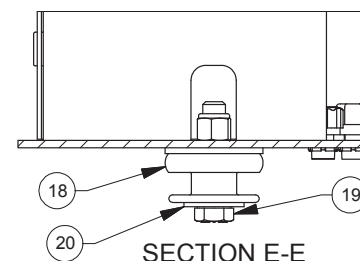


DETAIL C

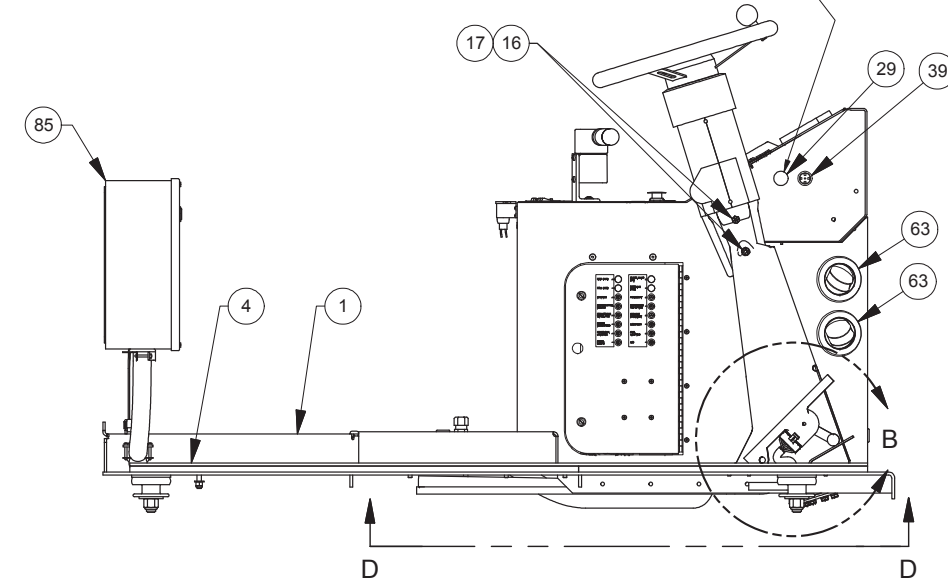
TYP (3) PLCS

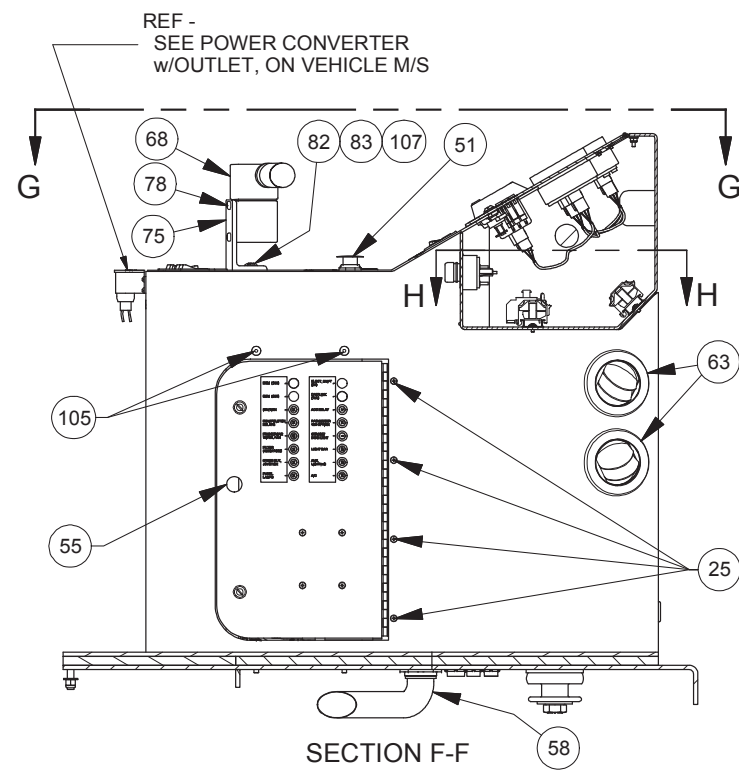
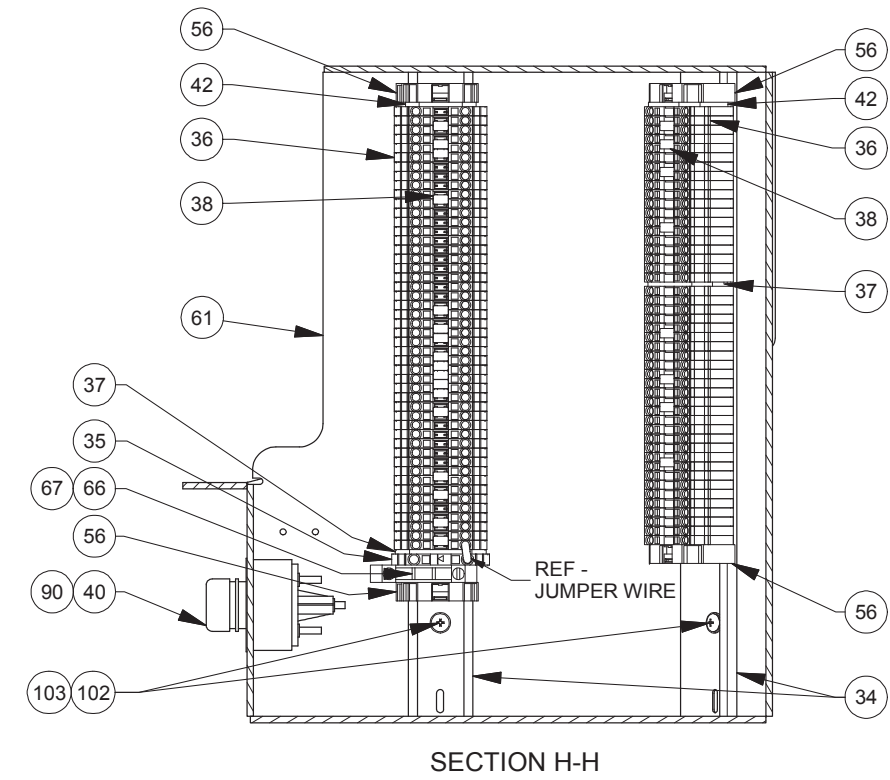
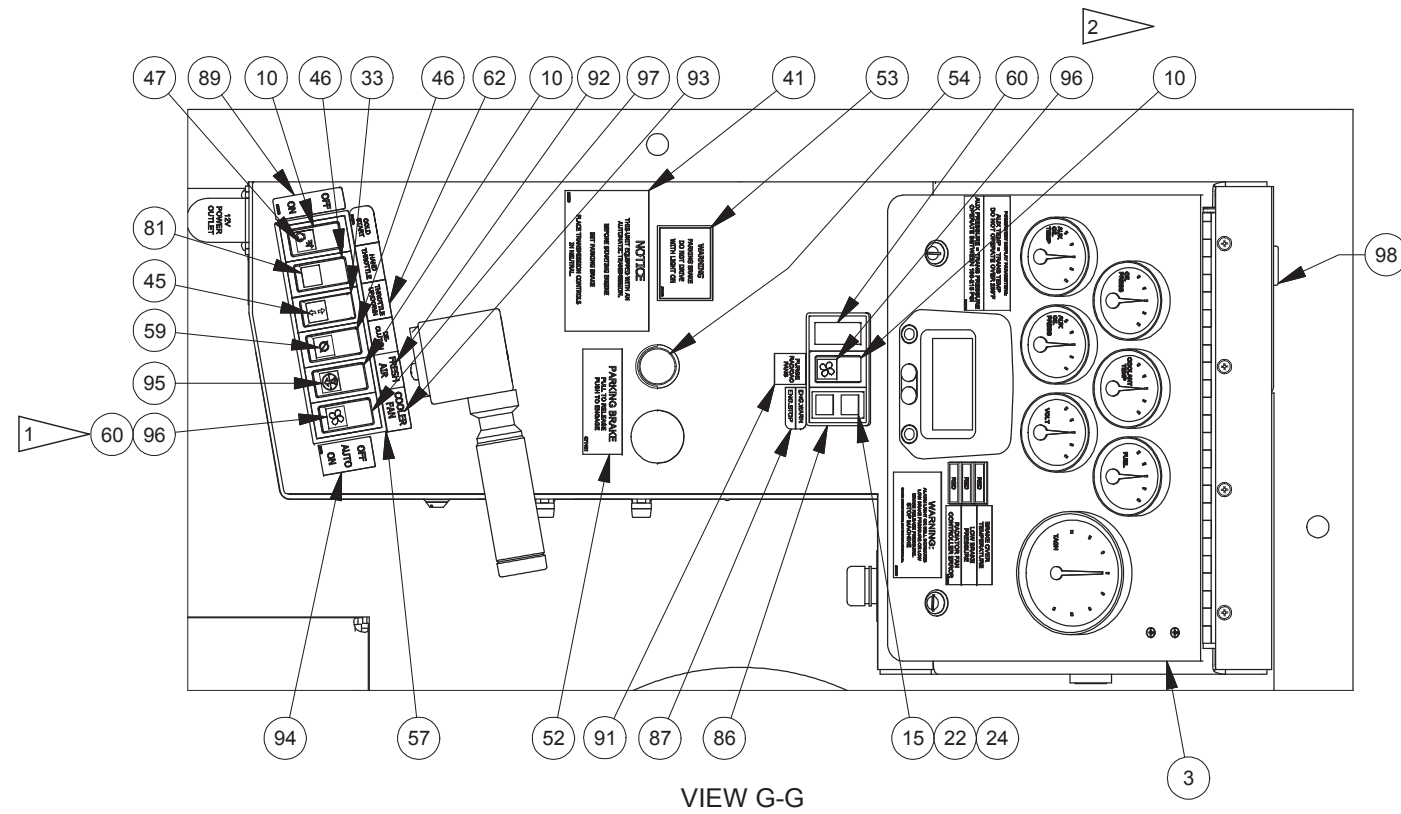


SECTION E-E



REF -
OPT BRAKE WARNING BUZZER
SEE BRAKE COOLING INST
ON VEHICLE M/S.





NOTE :

- 1 ITEM No.60 IS USED W/O HYD OIL COOLER.
- 2 REFER TO BRAKE COOLING INST. -SEE VEHICLE M/S