

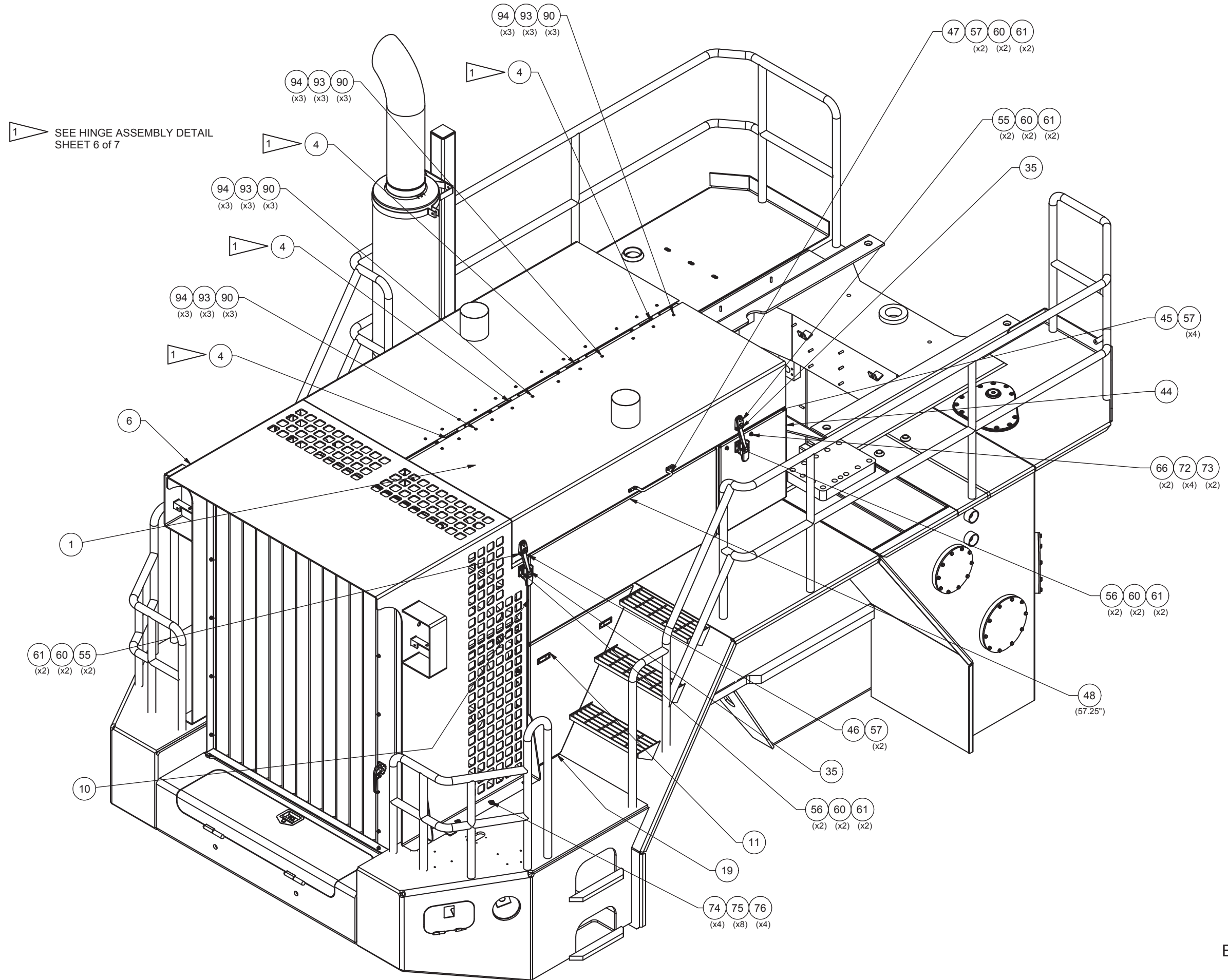
---

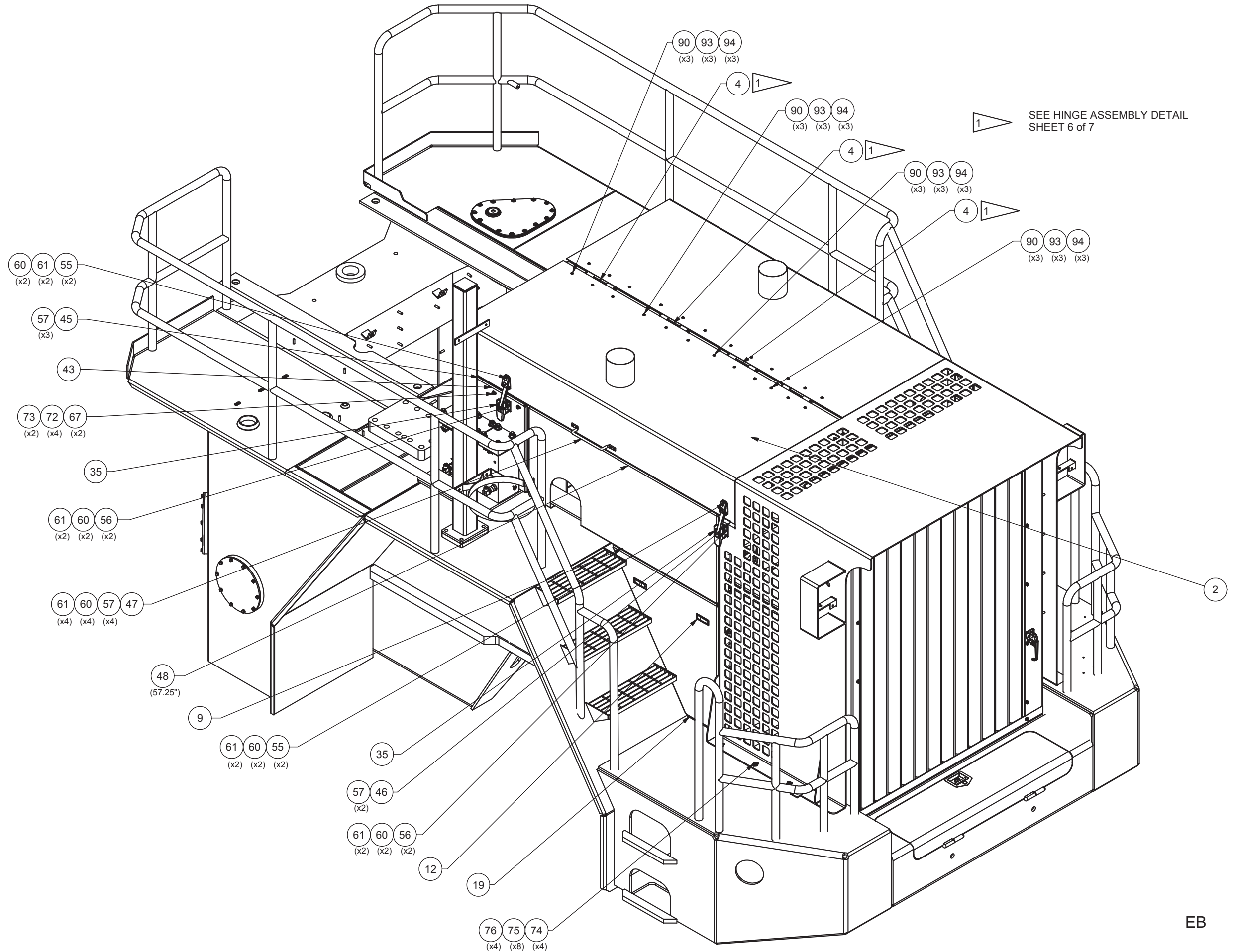
Hood Arrangement & Installation

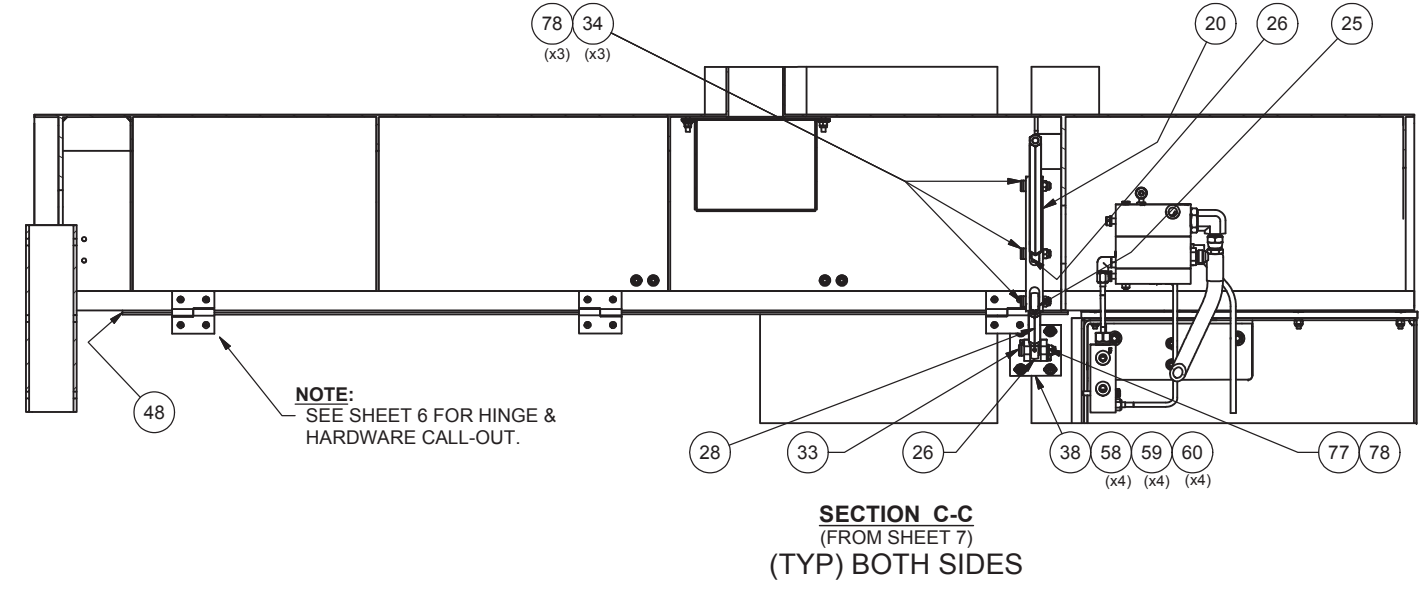
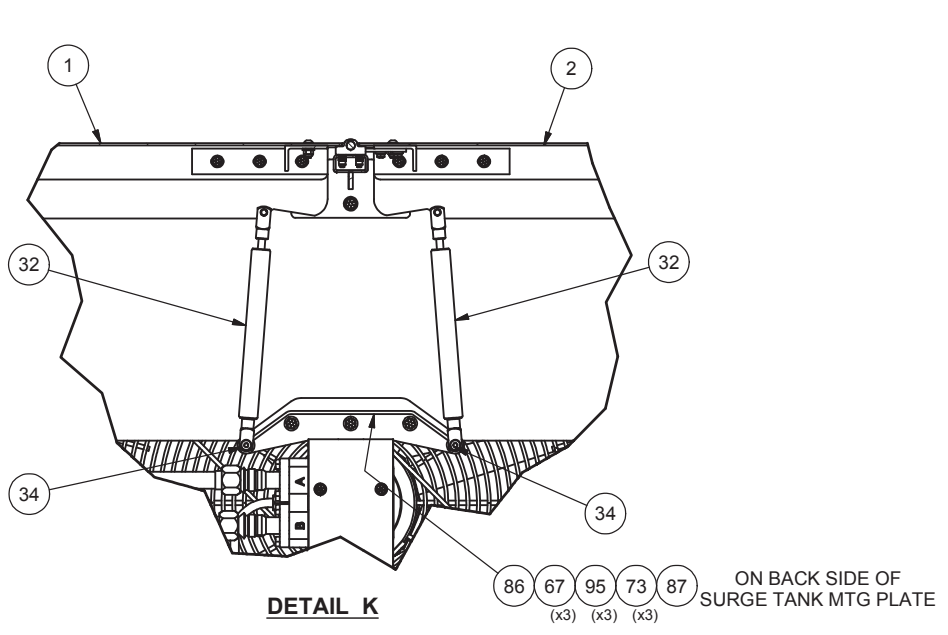
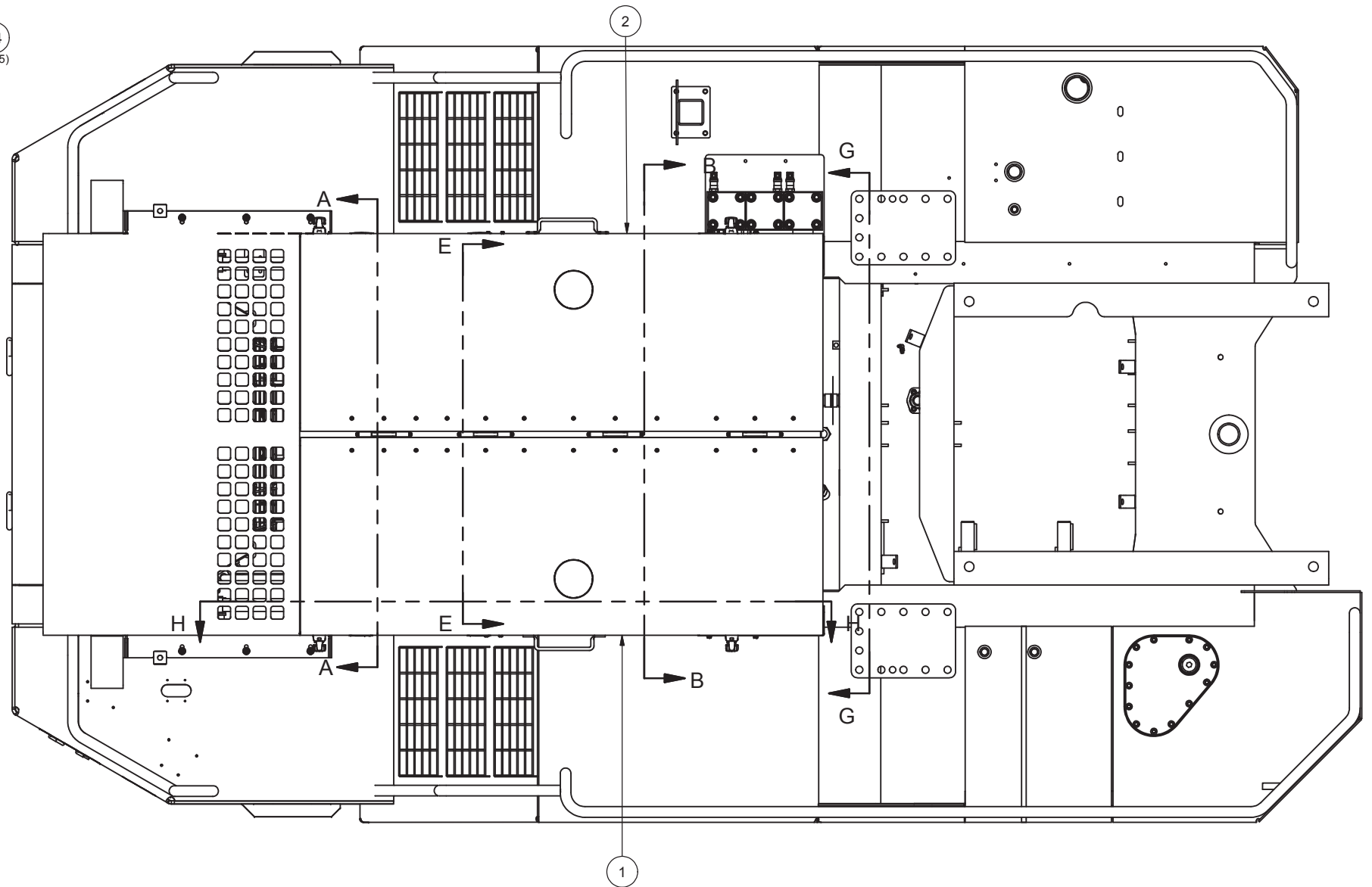
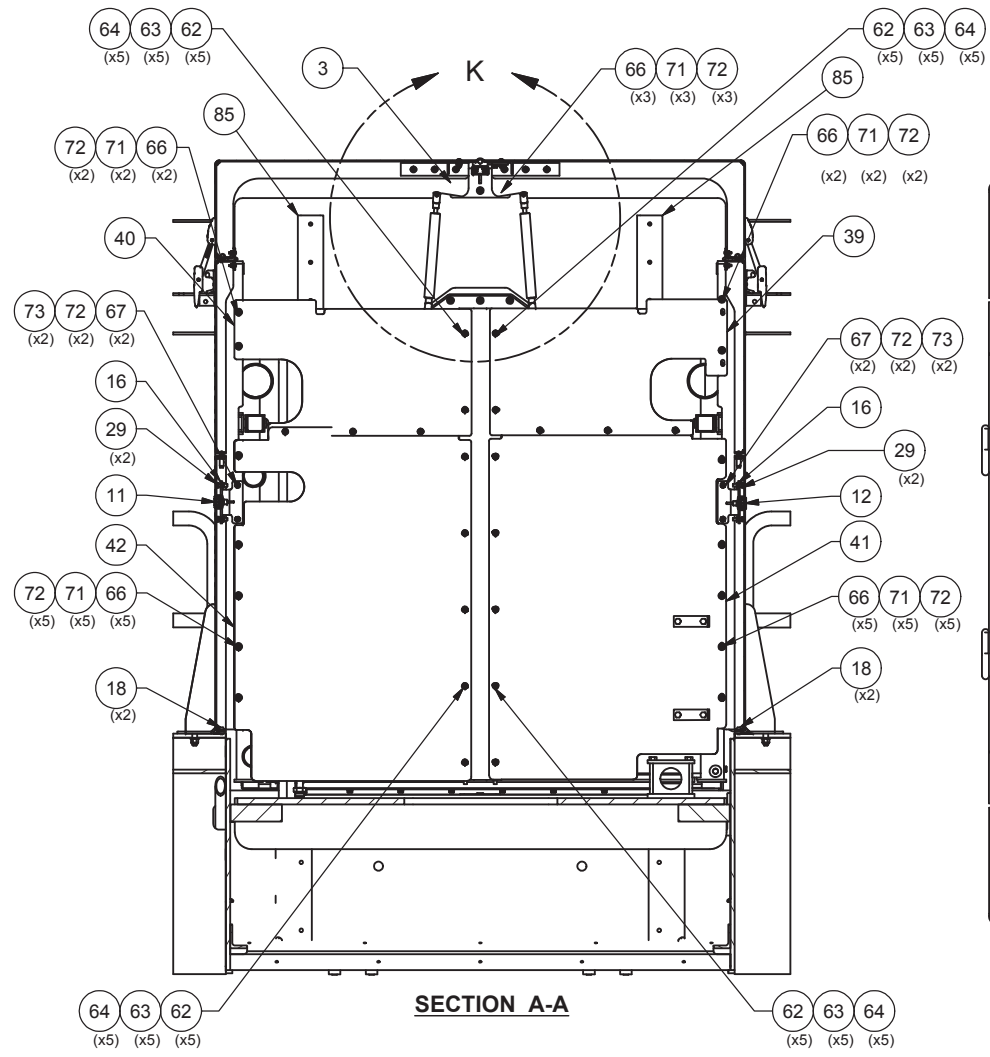
## Hood Arrangement & Installation

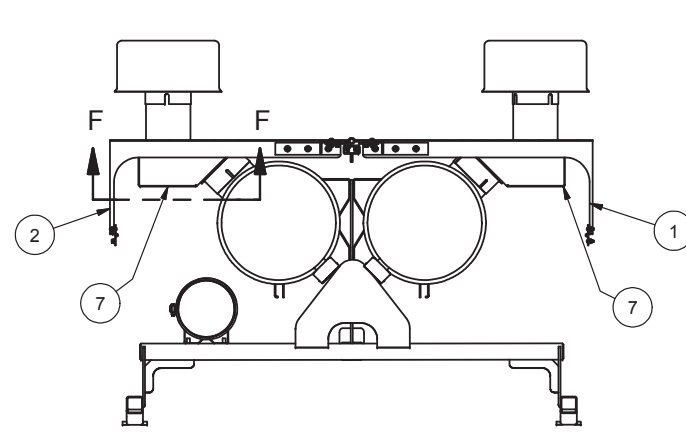
Item	Part No.	Qty	Description	Item	Part No.	Qty	Description
	<b>585051</b>		<b>Hood Arrangement &amp; Installation</b>				
1	585052	1	. Hood, RH	51	Y19C-M0635	12	. Capscrew
2	585053	1	. Hood, LH	52	00103338	25	. Flat Washer
3	585135	1	. Rail, Hood Mounting	53	R13809543	25	. Locknut
4	585691	4	. Block, Hinge	54	Y73G-0416	22	. Capscrew
5	585693	8	. Hinge Leaf	55	18720W	8	. Capscrew
6	585150	1	. Hardnose	56	Y25G-0416	16	. Capscrew
7	585311	2	. Plenum, Air Intake	57	Y09G-0416	20	. Capscrew
8	585314	2	. Gasket, Plenum	58	R13810989	40	. Capscrew
9	585323	1	. Hood Panel, Upper LH	59	R13812512	52	. Lockwasher
10	585324	1	. Hood Panel, Upper RH	60	R13811443	59	. Flat Washer
11	* 585328	1	. Panel Assembly, Lower RH Hood	61	R13811189	55	. Locknut
12	* 585329	1	. Panel Assembly, Lower LH Hood	62	R13801791	20	. Capscrew
13	585332	4	. Pivot Plate	63	R13812513	20	. Lockwasher
14	585415	1	. Plate, LH Brace	64	223428	20	. Flat Washer
15	585424	1	. Plate, RH Brace	65	162572W	2	. Capscrew
16	585337	2	. Plate, Clamp	66	Y17C-0616	19	. Capscrew
17	585338	2	. Plate, Clamp	67	221499W	9	. Capscrew
18	585339	4	. Pin	68	Y17C-0624	12	. Capscrew
19	585340	2	. Plate, Lower	69	R13801813	2	. Capscrew
20	585341	2	. Bar, Linkage	70	R13811039	1	. Capscrew
21	256081	2	. Spacer	71	234135	19	. Lockwasher
22	256082	2	. Spacer	72	223427	66	. Flat Washer
23	256083	2	. Bolt, Stripper	73	237567	30	. Nut, Esna
24	256084	4	. Pivot Plate	74	221569W	8	. Capscrew
25	256085	4	. Bearing, Rod End	75	239519	16	. Flat Washer
26	256086	4	. Bearing, Rod End	76	R13811193	8	. Locknut
27	256087	2	. Rod, Coupling	77	296418W	4	. Hard Washer
28	256088	2	. Rod, Coupling	78	R13812546	12	. Hex Nut
29	256089	8	. Bolt, Stopper	79	585694	2	. Stiffener, Panel
30	256090	4	. Leaf, Hinge	80	585695	2	. Stiffener, Panel
31	256091	4	. Leaf, Hinge	81	585696	2	. Stiffener, Panel
32	256092	4	. Strut, Gas Spring	82	585697	2	. Stiffener, Panel
33	256097	4	. Bolt, Stripper	83	256433	2	. Leaf, Hinge
34	256098	8	. Bolt, Stripper	84	256434	2	. Leaf, Hinge
35	256122	4	. Latch, Draw	85	585700	2	. Tube, Stand-Off
36	256518	4	. Shaft	86	585704	1	. Mounting, Gas Spring
37	256093	40'	. Trim, Seal	87	585706	1	. Plate, Backing
38	585342	2	. Mounting, Pivot	88	236698	22	. Lockwasher
39	585333	1	. Plate, Upper LH	89	221763W	32	. Washer
40	585334	1	. Plate, Upper RH	90	Y25G-0514	24	. Capscrew
41	585506	1	. Panel, Lower LH	91	R13811014	24	. Capscrew
42	585336	1	. Plate, Lower RH	92	18498W	6	. Capscrew
43	585397	1	. Cover, Front LH	93	R13802914	84	. Hard Washer
44	585398	1	. Cover, Front RH	94	232939	54	. Nut, Esna
45	584206	2	. Strip, Backup	95	Y27E-06	6	. Washer
46	565007	2	. Strip, Backup	96	585816	2	. Leaf Hinge
47	200304	2	. Handle, Hand Grip	97	585818	1	. Block, Hinge
48	238668	12'	. Weatherstrip	98	585819	1	. Block, Hinge
49	221314	4	. Stud, Weld	99	585821	4	. Plate, Shim
50	Y25G-(1024)12	24	. Capscrew				

\* See Separate Coverage

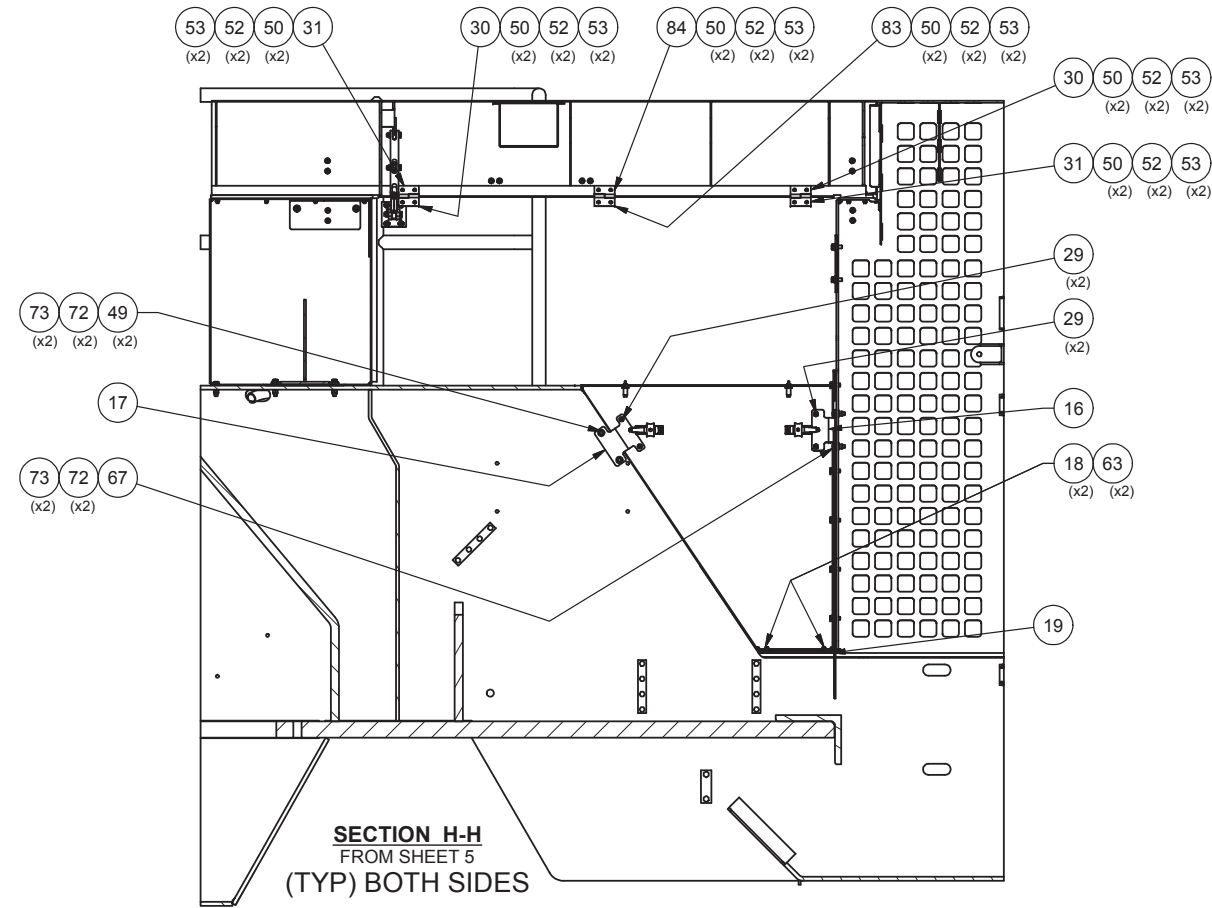




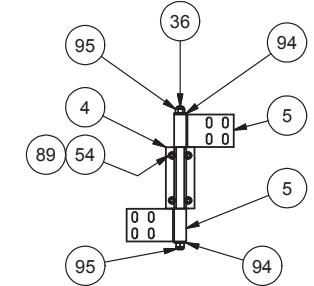




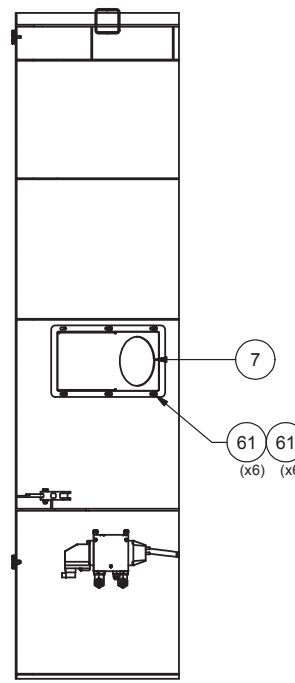
**SECTION E-E**  
FROM SHEET 5



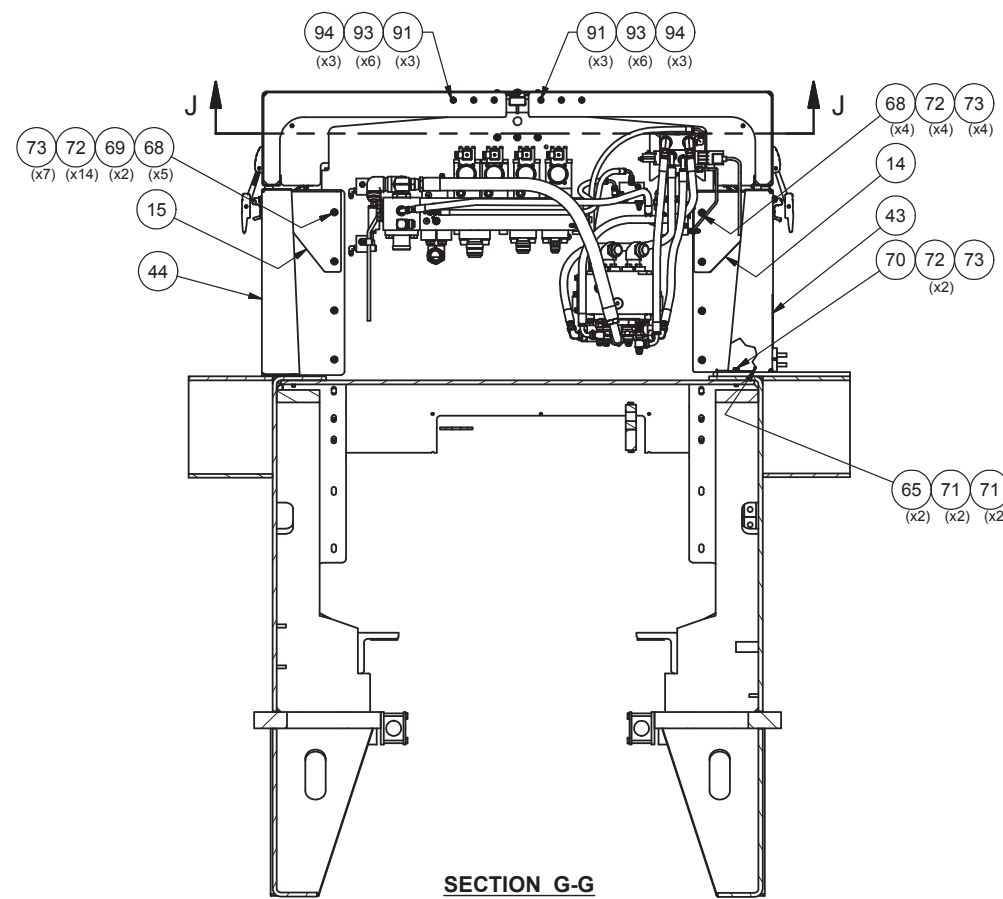
**SECTION H-H**  
FROM SHEET 5  
(TYP) BOTH SIDES



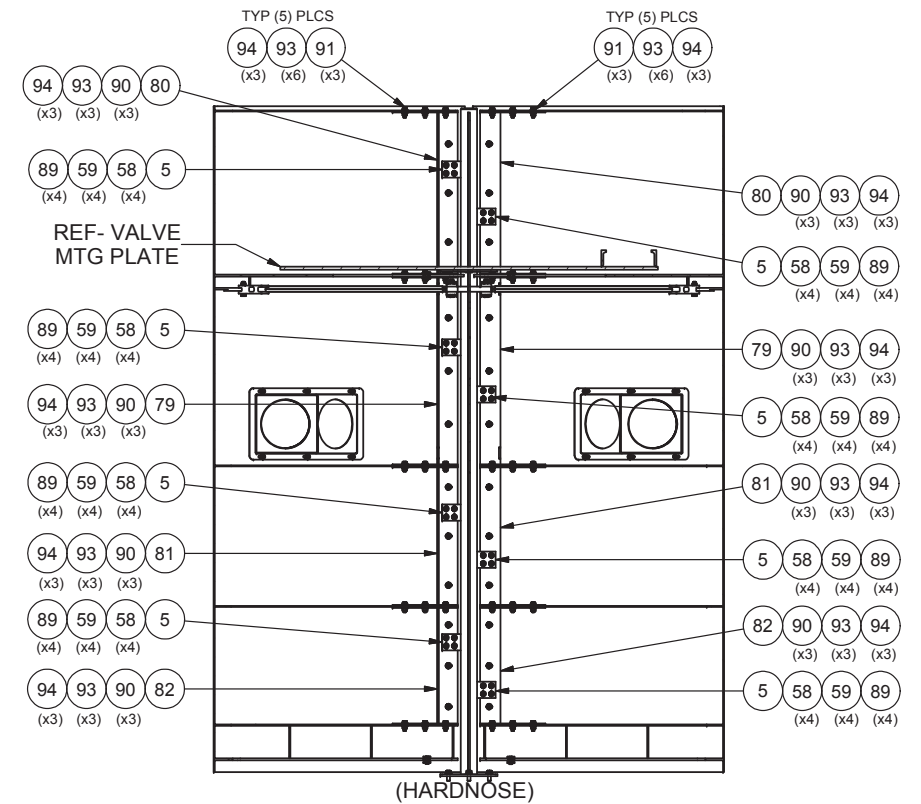
**HOOD HINGE DETAIL**



**SECTION F-F**  
(TYP) BOTH SIDES



**SECTION G-G**  
FROM SHEET 5



**SECTION J-J**  
(UNDERSIDE OF HOODS)

