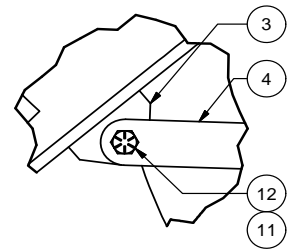


Mast Installation-CAT966H

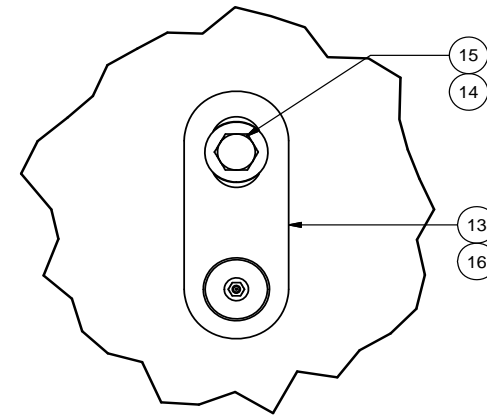
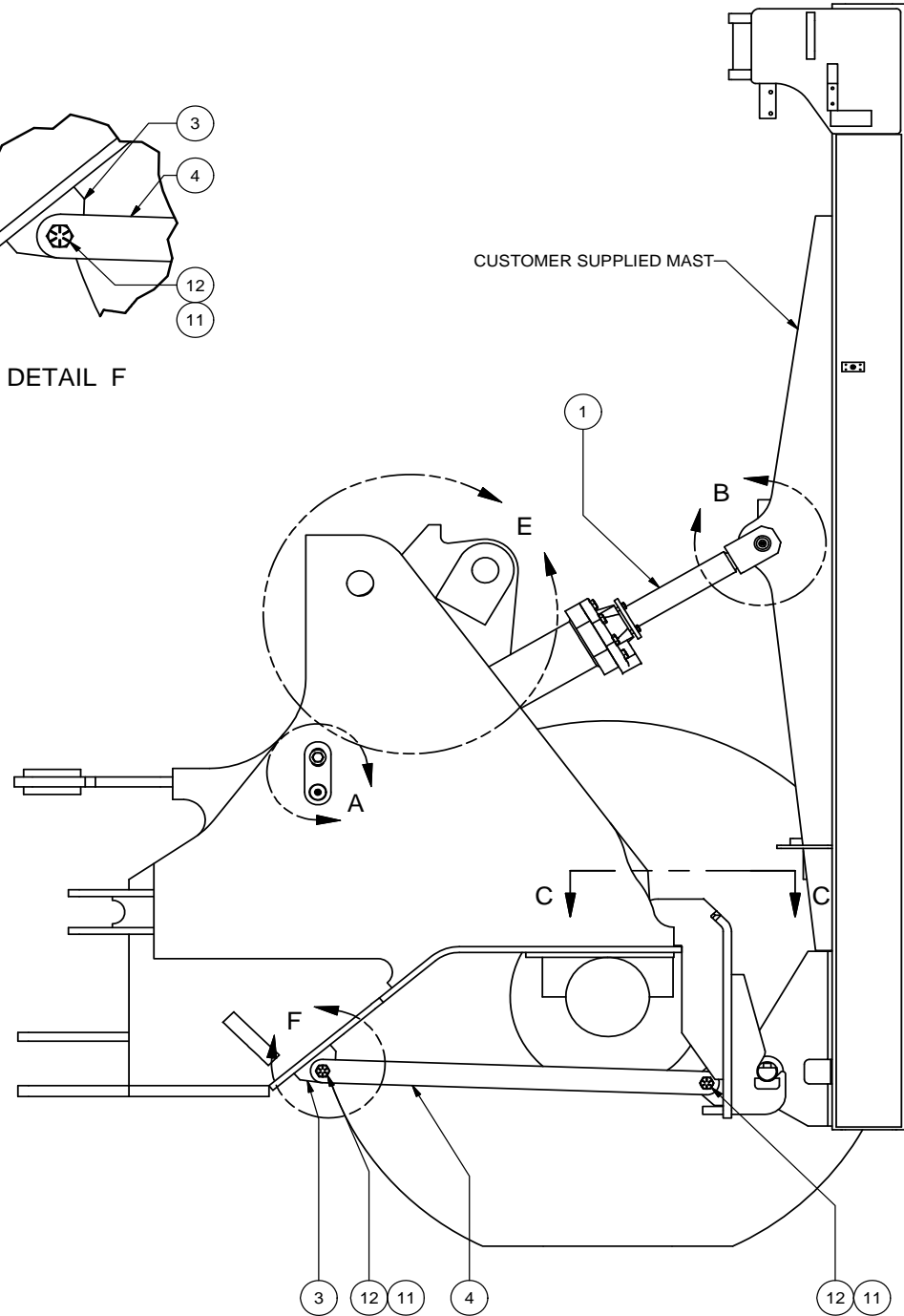
Item	Part No.	Qty	Description	Item	Part No.	Qty	Description
	584979		Mast Installation-CAT966H				
1	* 584980	2	. Cylinder Assembly	11	R13803587	4	. Locknut
2	585097	1	. Frame, Mast Pivot	12	Y17C-1664	4	. Capscrew
3	583798	2	. Plate, Tab	13	585112	2	. Pin
4	585199	2	. Plate, Brace	14	254387	2	. Washer
5	541616	2	. Pin	15	Y19C-M2030	2	. Capscrew
6	R13811083	2	. Capscrew	16	00191758	4	. Fitting
7	223587	2	. Nut, Esna	17	583980	2	. Plate
8	583795	2	. Pin	18	583981	2	. Plate
9	583796	4	. Plate, Lock				
10	Y73G-1044	4	. Capscrew				
							* See Separate Coverage

NOTES:

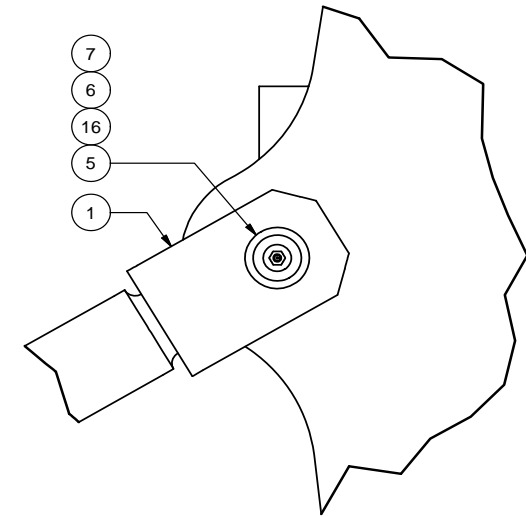
1. USE SHIMS (ITEMS 17 & 18) AS NECESSARY TO ENSURE THE MAST PIVOT AXIS IS PARALLEL WITH THE FRONT AXLE



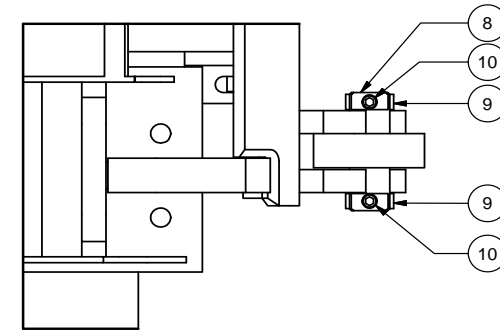
DETAIL F



DETAIL A
CYLINDER BASE PINS, TYP



DETAIL B
CYLINDER STEM PINS, TYP



DETAIL C
PIVOT FRAME MOUNTING

