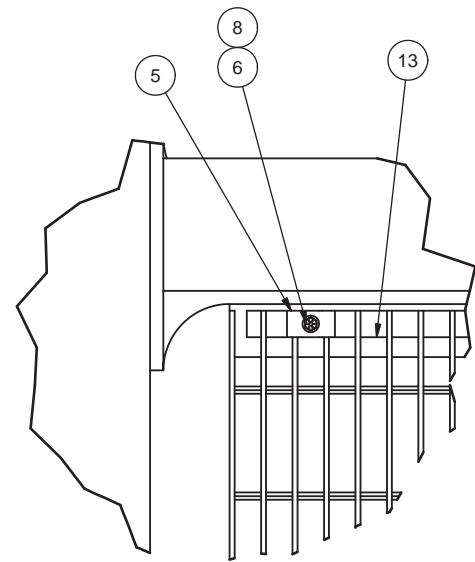
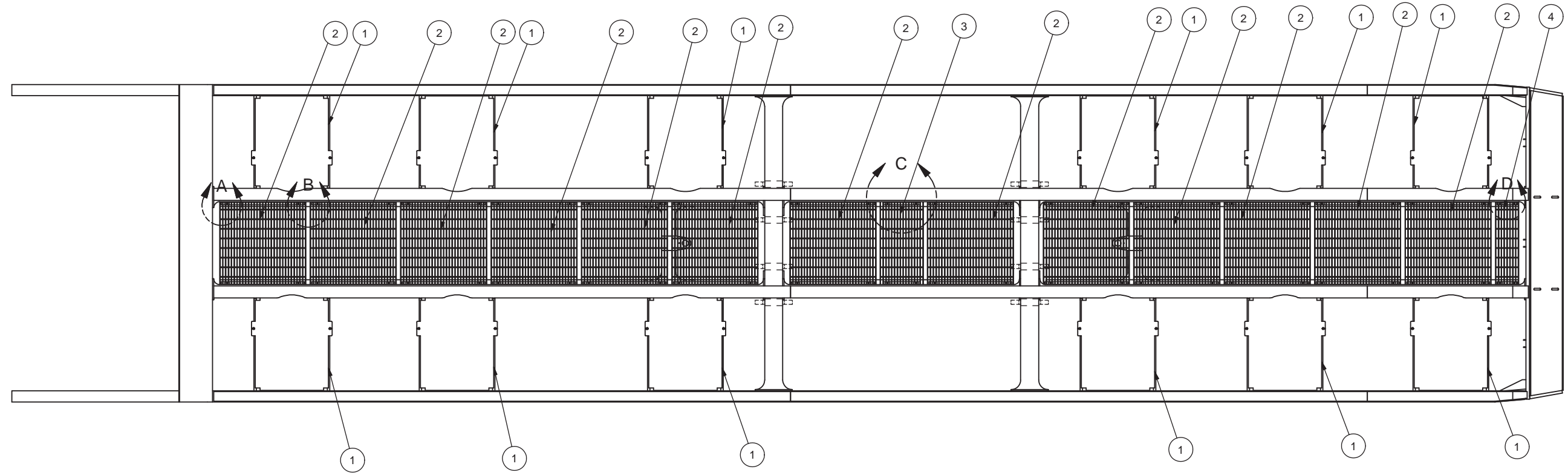


---

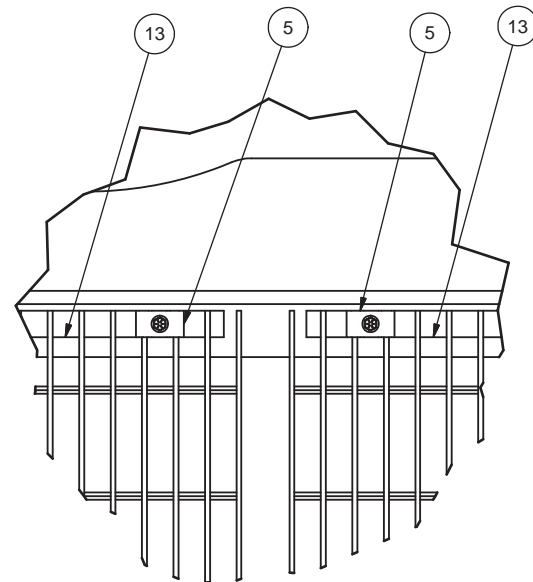
Gratings - Covers Installation

## Gratings - Covers Installation

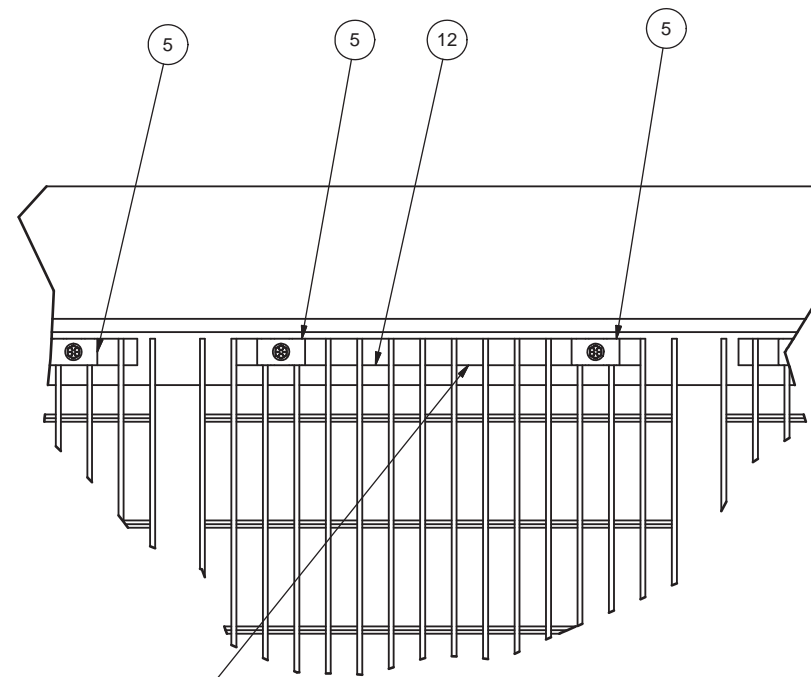
Item	Part No.	Qty	Description	Item	Part No.	Qty	Description
	<b>584821</b>		<b>Gratings - Covers Installation</b>				
1	584823	12	. Plate, Cover	8	00103339	60	. Washer
2	584822	13	. Grate	9	223427	24	. Washer
3	584824	1	. Grate	10	234135	24	. Lockwasher
4	584825	1	. Grate	11	585200	2	. Bar
5	245711	60	. Clip, Saddle	12	585201	2	. Bar
6	R13801782	60	. Capscrew	13	585202	26	. Bar
7	162572W	24	. Capscrew				



DETAIL A  
SCALE .2

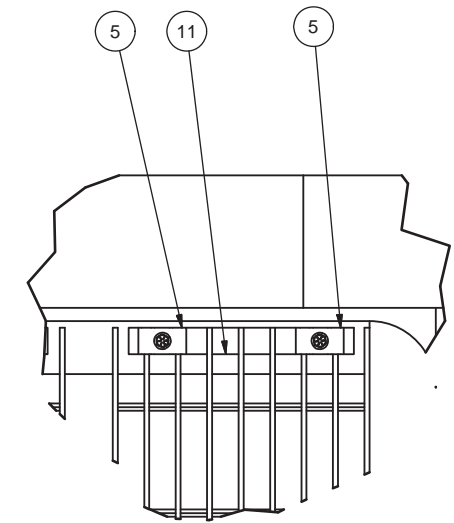


DETAIL B  
SCALE .2



DETAIL C  
SCALE .2

TYP  $\frac{1}{4}$  1.00-4.00



DETAIL D  
SCALE .2

