

---

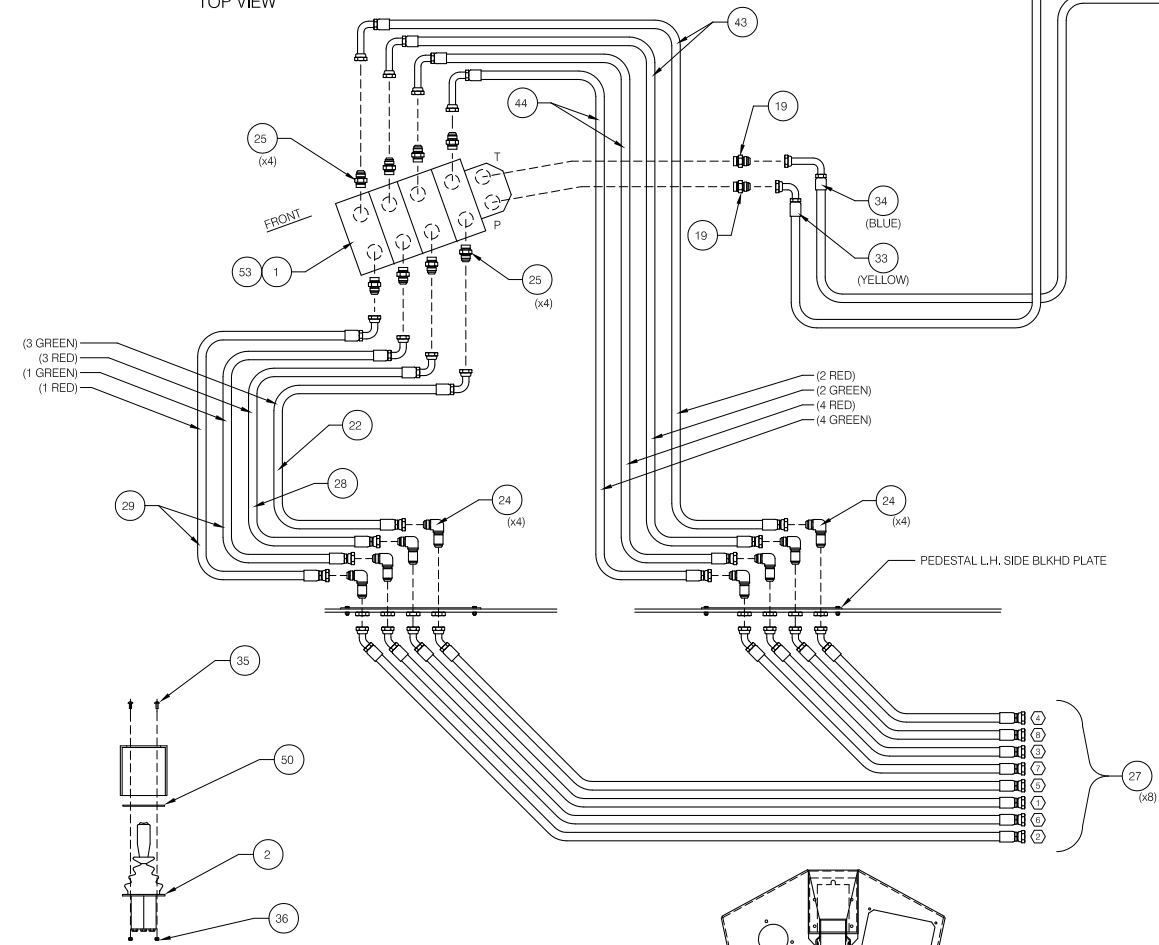
Hydraulic System - Seat Mounted Controls

## Hydraulic System - Seat Mounted Controls

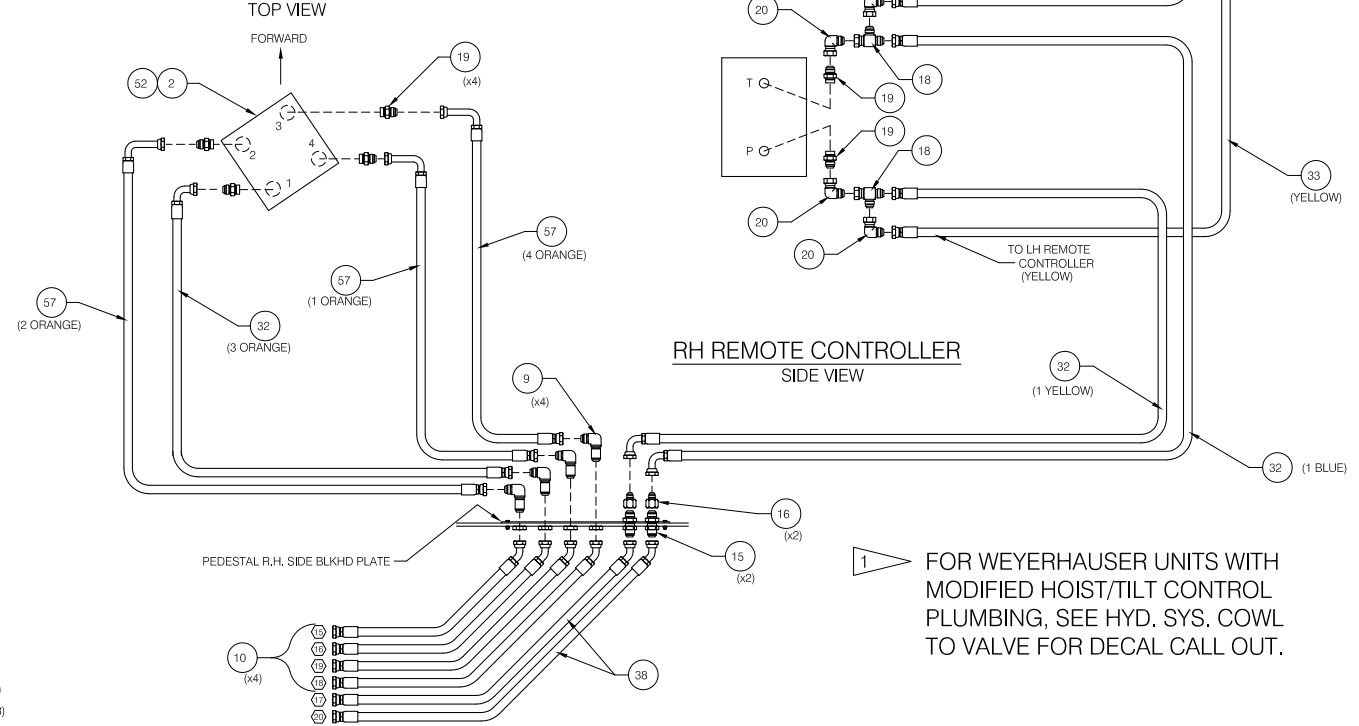
Item	Part No.	Qty	Description	Item	Part No.	Qty	Description
	<b>584692</b>		<b>Hyd Sys - Seat Mounted Controls</b>				
1	* 237237	1	. Control Valve	30	568668	1	. Plate
2	* 249361	1	. Pilot Control Valve	31	00103319	5	. Lockwasher
3	221503W	2	. Capscrew	32	232286	3	. Hose Assembly
4	561830	2	. Plate	33	237412	1	. Hose Assembly
5	566662	2	. Bracket	34	245278	1	. Hose Assembly
6	209588	8	. Clip, Insulated	35	222384	10	. Machine Screw
7	209697	3	. Clamp	36	222441	20	. Locknut
8	209589	2	. Clamp	37	R13810993	17	. Capscrew
9	224968	4	. Fitting	38	238253	2	. Hose Assembly
10	238252	4	. Hose Assembly	39	00103339	20	. Flat Washer
11	224120W	8	. Capscrew	40	570819	2	. Washer
12	568455	1	. Back Plate	41	570534	1	. Armrest, RH
13	568430	1	. Plate, Front	42	570705	1	. Armrest, LH
14	568326	1	. Bracket, LH	43	237096	2	. Hose Assembly
15	215203	8	. Fitting	44	237273	2	. Hose Assembly
16	226904	6	. Fitting	45	223427	4	. Flat Washer
18	211562	2	. Fitting	46	576346	1	. Control Weldment
19	211560	6	. Fitting	47	567173	1	. Decal
20	211561	4	. Fitting	48	557726	1	. Decal
21	219502	8	. Fitting	49	573428	2	. Bar, Spacer
22	237474	1	. Hose Assembly	50	574511	2	. Spacer
23	568669	1	. Plate	51	237391	1'	. Insulation, Pipe
24	23543	8	. Fitting	52	241200	1	. Insulation, Valve Cover Wrap
25	223929	8	. Fitting	53	241205	1	. Insulation, Valve Cover Wrap
26	209482	2	. Fitting	54	220577	1	. Connector, Cord
27	237258	8	. Hose Assembly	55	248733	1	. Toggle Switch
28	232283	1	. Hose Assembly	56	248734	1	. Plate, Face
29	237272	2	. Hose Assembly	57	254771	3	. Hose Assembly

\* See Separate Coverage

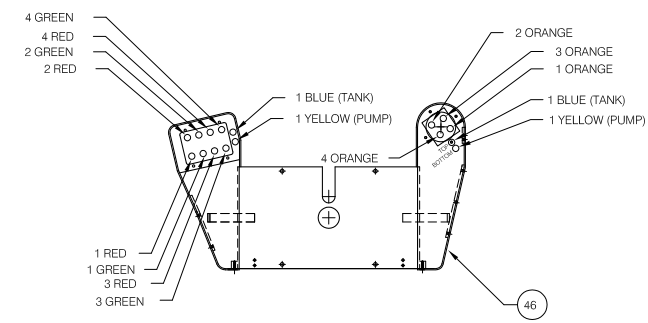
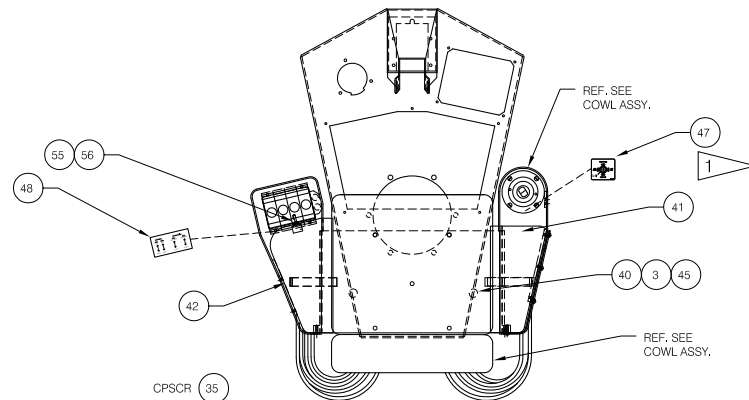
**LH REMOTE CONTROLLER**  
TOP VIEW



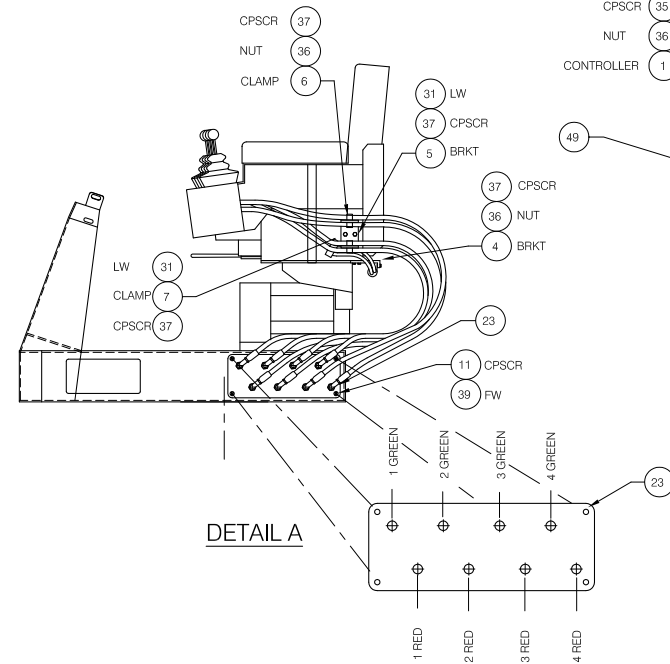
**RH REMOTE CONTROLLER**  
TOP VIEW



**DETAIL C**



NOTE: HOSES: 9 10 11 12 13 ARE FOR STEERING PILOT SEE HYDRAULIC SYSTEM STEERING SCHEMATIC ON MASTER SHEET.



**DETAIL B**

