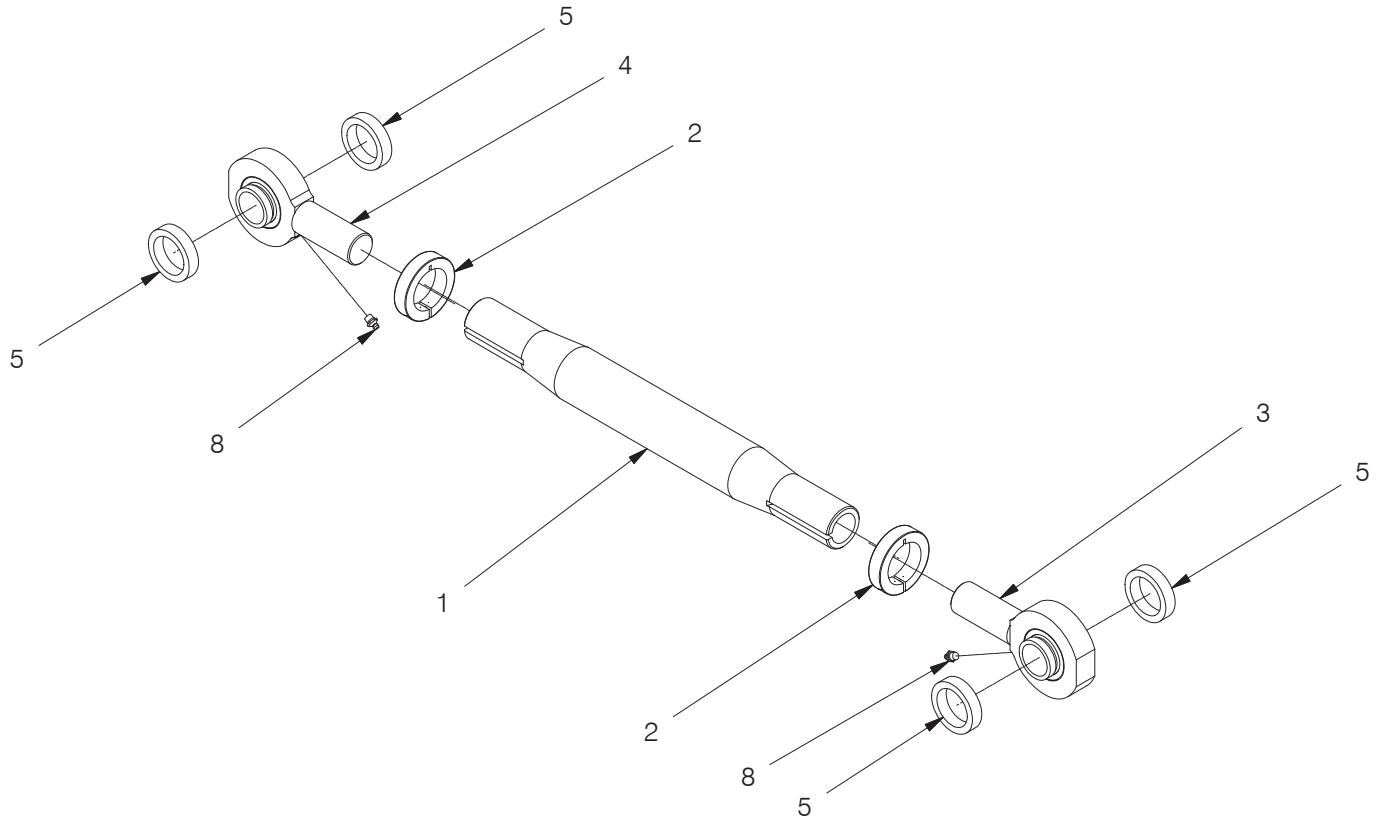


Rod Assembly, Timing



Item	Part No.	Qty	Description	Item	Part No.	Qty	Description
	584648		Rod Assembly, Timing	5	035-0551	4	. Seal, Spherical Bushing
1	584679	1	. Tube, Tie Rod	8	00191758	2	. Fitting
2	*a 070-0571	2	. Clamp, Rod				
3	*b 575635	1	. Bearing Assembly, RH Rod End				*a Use Loctite 277, PN 222689
4	*b 135-0373	1	. Bearing Assembly, LH Rod End				*b See Separate Coverage