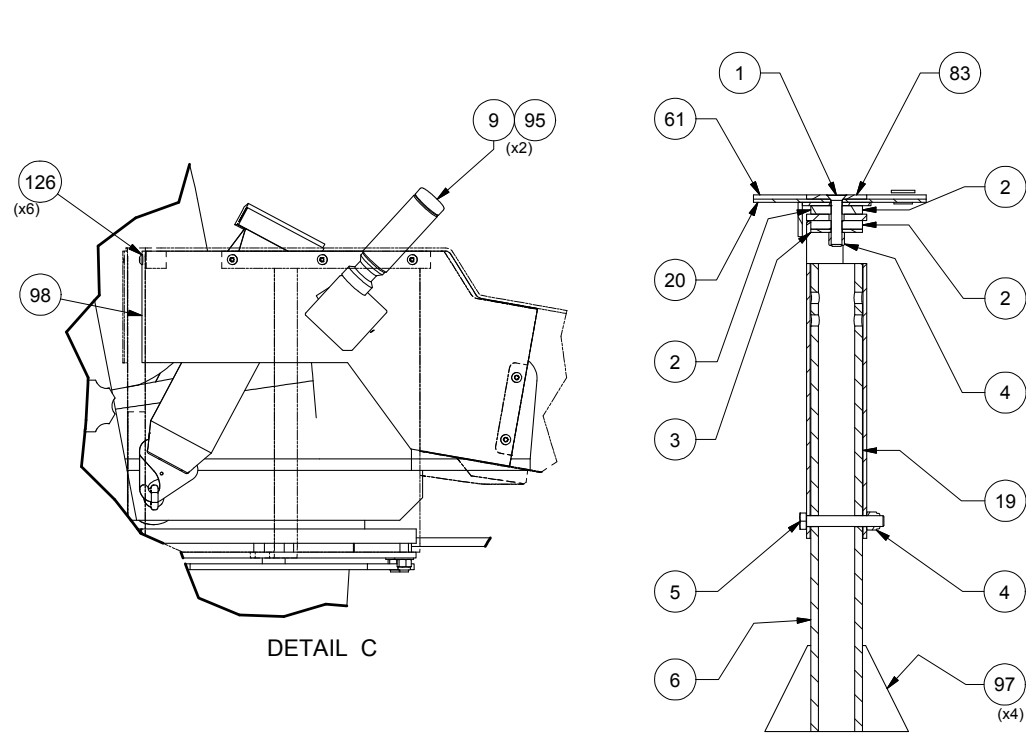

Cowl Assembly

Cowl Assembly

Item	Part No.	Qty	Description	Item	Part No.	Qty	Description
	584611		Cowl Assembly				
1	Y09G-1048	4	. Capscrew	58	R13805167	4	. Locknut
2	521106	8	. Pad	60	571436	1	. Seat Pedestal
3	521125	4	. Spacer	61	572762	1	. Floor Weldment
4	R13811195	8	. Locknut	62	200301	4	. Molding
5	221642W	4	. Capscrew	63	570691	1	. Drip Pan
6	533716	4	. Pipe, Support	64	209917	1	. Fitting
7	222475	6	. Capscrew	66	R1933988	4	. Button Plate
9	* 580598	1	. Transmission Shifter	67	573019	2	. Plate, Cover
11	572834	2	. Hanger	69	573235	1	. Cover
12	574208	1	. Bracket	70	221563W	18	. Capscrew
13	R13801783	4	. Capscrew	71	240259	1	. Kit, Seatbelt Hardware
14	R13810854	2	. Capscrew	72	072-0073	1	. Latch, Lid Stay
15	R13811189	6	. Locknut	73	00100738	2	. Machine Screw
16	* 582119	1	. Junction Box Assembly	74	R13804476	2	. Machine Screw
17	* 582112	1	. Instrument Panel Assembly	75	R13811437	4	. Flat Washer
18	223146	15	. Machine Screw	76	238596	2	. Nut, Esna
19	576039	1	. Superstructure	83	574056	4	. Plate
20	581758	1	. Cowl	84	243304	2	. Bearing Cup
22	577272	1	. Plate, Cover	85	243305	2	. Bearing Cone
23	244506	1	. Steering Wheel	87	Y17C-0616	6	. Capscrew
24	231706	8	. Stud, Weld	88	240151	2	. O-Ring
25	230496	1	. Cap, Horn	89	576453	1	. Clevis
26	* 581933	1	. Terminal Panel Assembly	90	576444	1	. Tube
28	* 570581	1	. Floor Mat Installation	91	576445	1	. Bearing Retainer
30	* 574276	1	. Actuator	92	* 244505	1	. Steering Column
31	232969	4	. Capscrew	95	R13808536	2	. Capscrew
32	224120W	2	. Capscrew	96	* 243342	1	. Pedal Assembly, Elec Throttle
33	00103338	4	. Flat Washer	97	562366	16	. Gusset
34	224191	4	. Nut, Esna	98	581832	1	. Cover, RH
36	570391	12	. Washer, Sq	99	578489	1	. Plate
37	R13811451	12	. Flat Washer	100	574409	1	. Mounting Plate
38	570639	1	. Mounting Plate	101	579412	1	. Angle
39	R13801791	2	. Capscrew	104	240566	2	. Relay
40	563886	2	. Guard	106	R13811443	6	. Flat Washer
41	232182	1	. Knob, Spinner	108	228351	10	. Terminal Ring
42	224202	12	. Nut, Esna	109	200247	4	. Terminal Ring
43	R13811443	4	. Flat Washer	110	221179	2	. Terminal Ring
44	571684	1	. Plate, Cover	118	223427	23	. Flat Washer
45	230668	6	. Capscrew	119	R13811445	2	. Flat Washer
46	R13811191	16	. Locknut	120	223871	2	. Lockwasher
47	162572W	2	. Capscrew	121	R13811039	1	. Capscrew
48	567082	3	. Plate, Cover	122	R13810856	2	. Capscrew
49	159812W	2	. Capscrew	124	R13810993	2	. Capscrew
50	Y17C-0624	5	. Capscrew	125	Y09G-0412	8	. Capscrew
52	* 236982	1	. Seat W/O Arms	126	Y25G-0408	22	. Capscrew
53	* 231800	1	. Pedestal & Swivel Assembly	127	219435	1	. Wire
55	215096	1	. Belt, Safety	128	219410	2	. Wire
56	131137W	4	. Capscrew	129	219431	1	. Wire
57	201568	4	. Lockwasher	133	18720W	4	. Capscrew

* See Separate Coverage



NOTES:
 1. COWL USED ON LOG STACKER WITH CAT, C-15 ENGINE & WET DISC BRAKES.
 2. SOME FEATURES ARE OMITTED FOR CLARITY.
 3. ITEM No.62 IS USED AS REQUIRED.
 4. DRILL AND / OR TAP HOLES WHERE REQUIRED.

