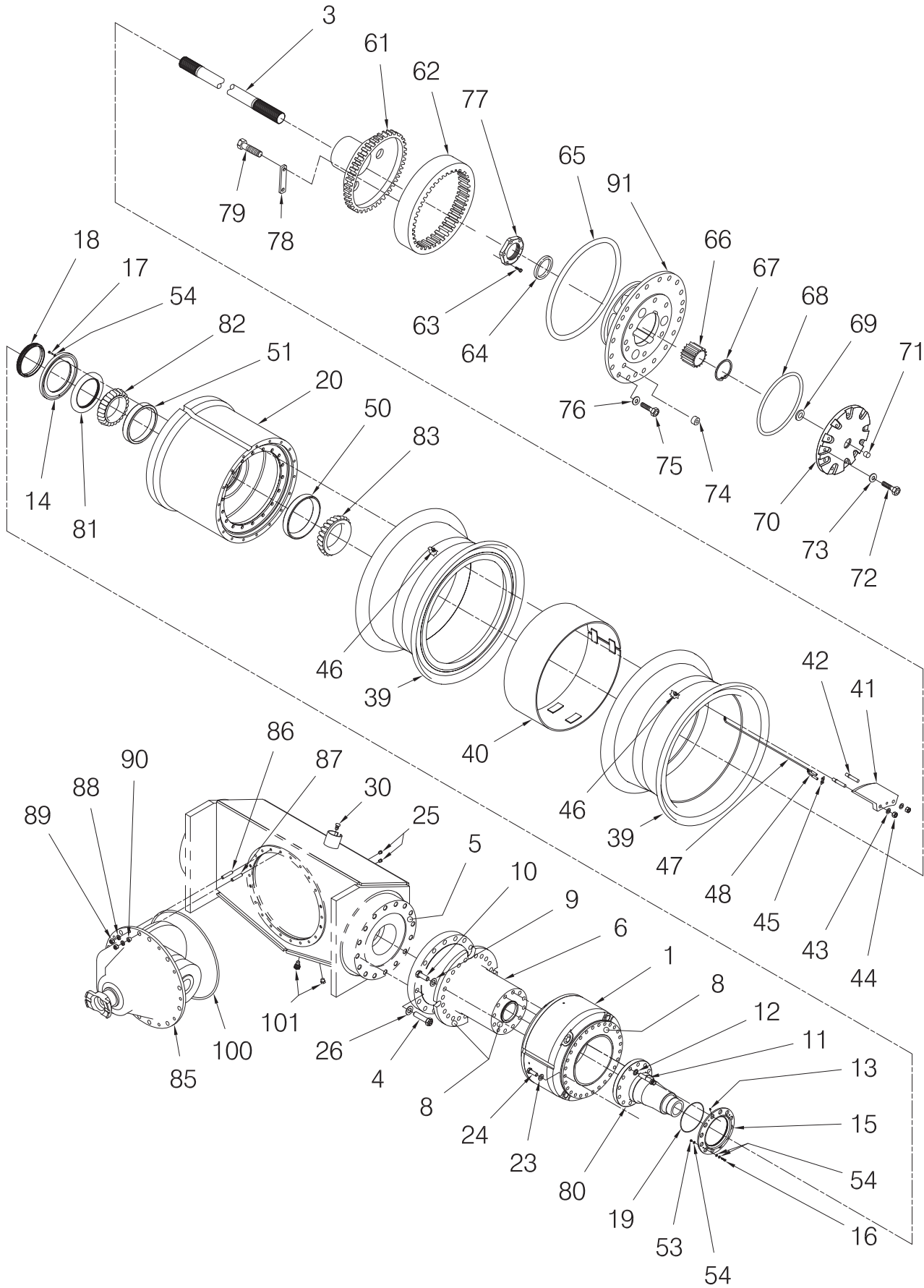


---

Front Drive Axle

# Front Drive Axle



## Front Drive Axle

Item	Part No.	Qty	Description	Item	Part No.	Qty	Description
<b>584609 Axle W/Brakes</b>							
1	*a*c 584897	2	. Disc Brake, Wet	66	*b -----	2	.. Sun Gear
3	547338	2	. Axle Shaft	67	*b -----	2	.. Snap Ring
4	*e 00223911	32	. Capscrew	68	*b -----	2	.. O-Ring
5	*k 236308	1 Can	. Silicone	69	*b -----	2	.. Thrust Washer
6	*c 578276	2	. Axle Housing	70	*b -----	2	.. Cover Assembly
8	*c 222689	1 Bottle	. Threadlock, Anaerobic	71	*b -----	2	.. Plug
9	22398	44	. Hard Washer	72	*b -----	18	.. Capscrew
10	*f 245854	44	. Capscrew	73	*b -----	18	.. Washer
11	*c 257556	24	. Capscrew	74	*b -----	2	.. Plug
12	248620	24	. Washer	75	*b -----	36	.. Capscrew
13	257557	8	. Setscrew	76	*b -----	36	.. Washer
14	578274	2	. Plate, Ring	77	*b -----	2	.. Nut
15	584846	2	. Plate, Seal Retainer	78	*b -----	12	.. Plate
16	257558	8	. Capscrew	79	*b -----	24	.. Capscrew
17	*d R13801782	8	. Capscrew	80	*b -----	2	.. Spindle
18	245412	2	. Seal, Duo-Cone	81	*b -----	2	.. Oil Seal
19	113586W	2	. O-Ring	82	*b -----	2	.. Bearing Cone
20	584610	2	. Hub	83	*b -----	2	.. Bearing Cone
23	204882	56	. Washer	85	*b*j -----	1	.. Differential & Carrier Assembly
24	*g 218760	56	. Capscrew	86	*b -----	10	.. Stud
25	00103867	2	. Plug	87	*b -----	12	.. Stud
26	225851	32	. Hard Washer	88	*b -----	22	.. Washer
28	*j 242864	1 Gal	. Additive	89	*b -----	22	.. Nut
30	200268	1	. Breather	90	*b -----	12	.. Dowel
38	*d 245231	1 Bottle	. Threadlock, Removable	91	*b -----	2	.. Planet Carrier Assembly
40	566386	2	. Wheel Spacer	100	*m 217456	1	O-Ring
41	563937	18	. Clamp, Dual Wheel	101	*m 15922	2	Magnetic Plug
42	225466	36	. Stud	102	*n 229546	4	Rim
43	225176	36	. Hard Washer	103	*n 219142	4	Spud
44	*h 225468	36	. Nut	104	*n 233938	2	Stem, Valve
45	570913	2	. Tab	105	*n 219144	2	Stem, Valve
50	201143	2	. Bearing Cup				
51	216147	2	. Bearing Cup				
53	224209	8	. Nut, Esna	*a See Separate Coverage			
54	R13812213	32	. Flat Washer	*b Included in 249162. See 249162 Page for Part Numbers			
55	576258	AR	. SHIM	*c Use Item 8 with Item 11 and Torque to 682-750 ft-lbs. Also Apply Item 8 to Surfaces on Items 1 & 6 as Shown.			
56	576263	AR	. SHIM	*d Use Item 38 with Item 17 and Torque to 8 ft-lbs.			
57	18522	1	. Fitting	*e Lube Threads with EP Grease & Torque to 1200-1230 ft-lbs.			
58	244264	1	. Anti-Seize, Copper Grade	*f Torque to 682-750 ft-lbs.			
	*a 249162	1	. Axle Kit	*g Torque to 475-500 ft-lbs.			
61	*b -----	2	.. Internal Gear Hub	*h Torque to 300 ft-lbs.			
62	*b -----	2	.. Internal Gear	*j Item 28 is Required Anytime Item 85 is Replaced or Rebuilt.			
63	*b -----	6	.. Capscrew	*k Apply Item 5 to Mounting Surface.			
64	*b -----	2	.. Thrust Washer	*m Not Included in 584609. Order Separately.			
65	*b -----	2	.. O-Ring	*n Not Included in 584609. See Wheel Assembly.			