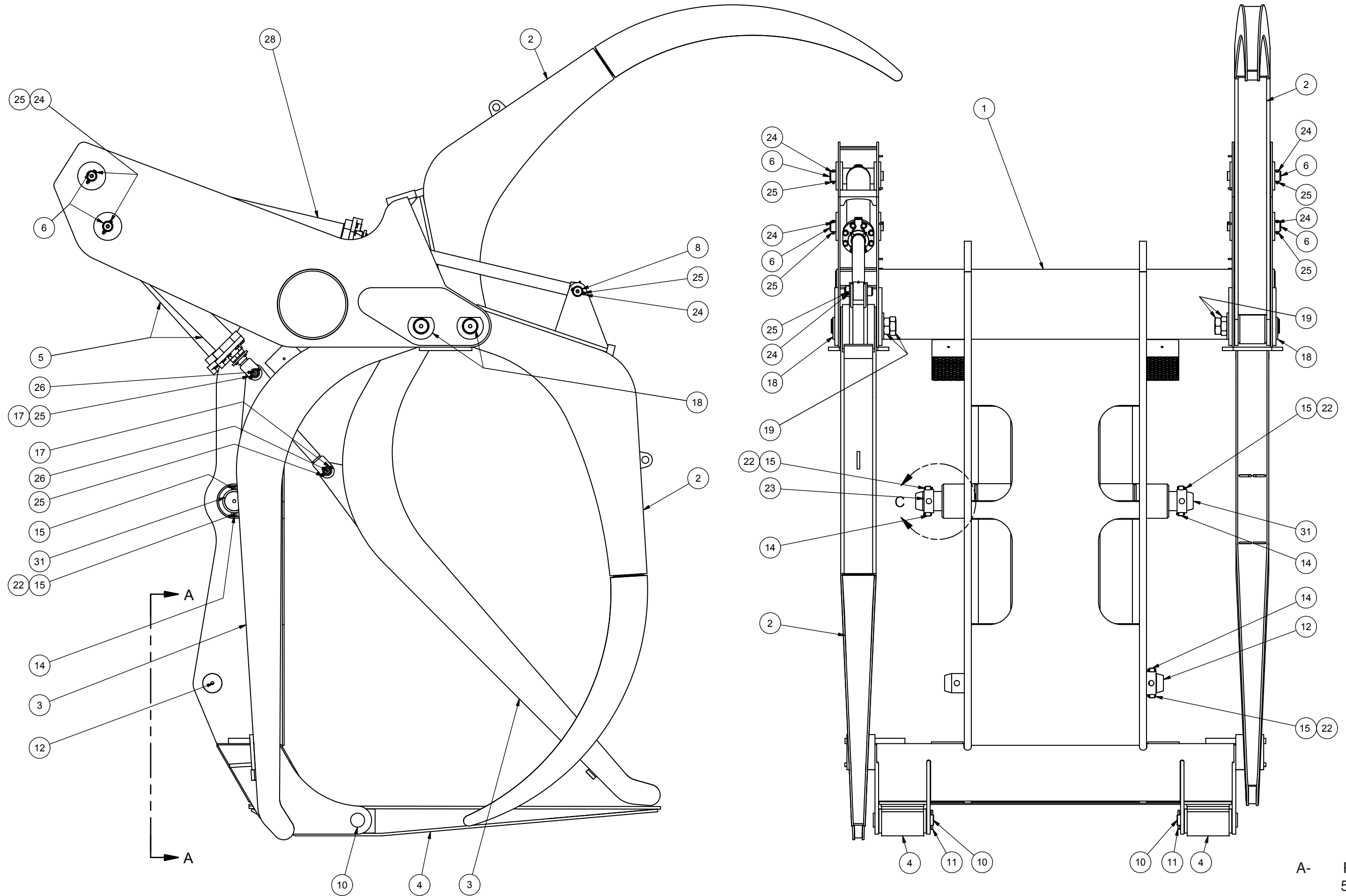

Carriage Assembly

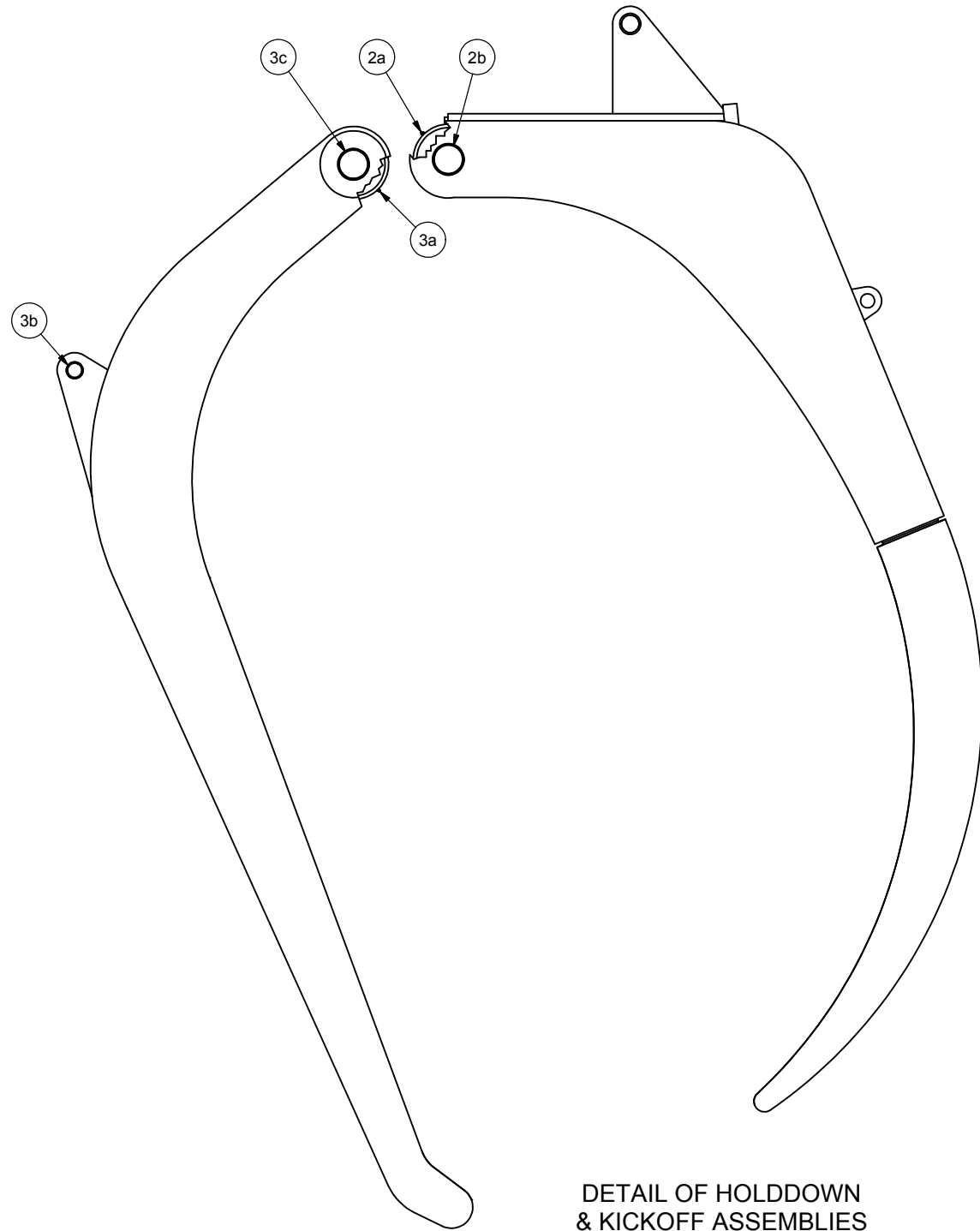
Carriage Assembly

Item	Part No.	Qty	Description	Item	Part No.	Qty	Description
	584608		Carriage Assembly				
1	583119	1	. Carriage	15	R13811039	3	. Capscrew
2	579450	2	. Holddown Assembly	16	519440	2	. Plate
2a	00191758	1	.. Fitting, Lube	17	R13811083	2	. Capscrew
2b	534117	2	.. Bushing	18	573783	4	. Pin
3	574516	2	. Kickoff Assembly	19	219928	4	. Jam Nut
3a	00191758	1	.. Fitting, Lube	20	552398	2	. Gusset
3b	501571	1	.. Bushing	21	528101	2	. Stop
3c	534117	2	.. Bushing	22	223654	6	. Locknut
4	526133	2	. Tine Weldment	23	563243	2	. Lock Collar
5	* 526164	2	. Cylinder Assembly	24	R13811085	6	. Capscrew
6	500418	4	. Pin	25	224202	8	. Nut, Esna
7	561170	2	. Bushing	26	541616	2	. Pin
8	505841	2	. Pin	27	562555	4	. Spacer Plate
10	526294	2	. Pin	28	* 574867	2	. Cylinder Assembly
11	220275	2	. Cotter Pin	29	552393	2	. Plate
12	562851	1	. Pin	30	563503	2	. Plate, KO Stop
14	563280	3	. Pin	31	562852	1	. Pin, Pivot

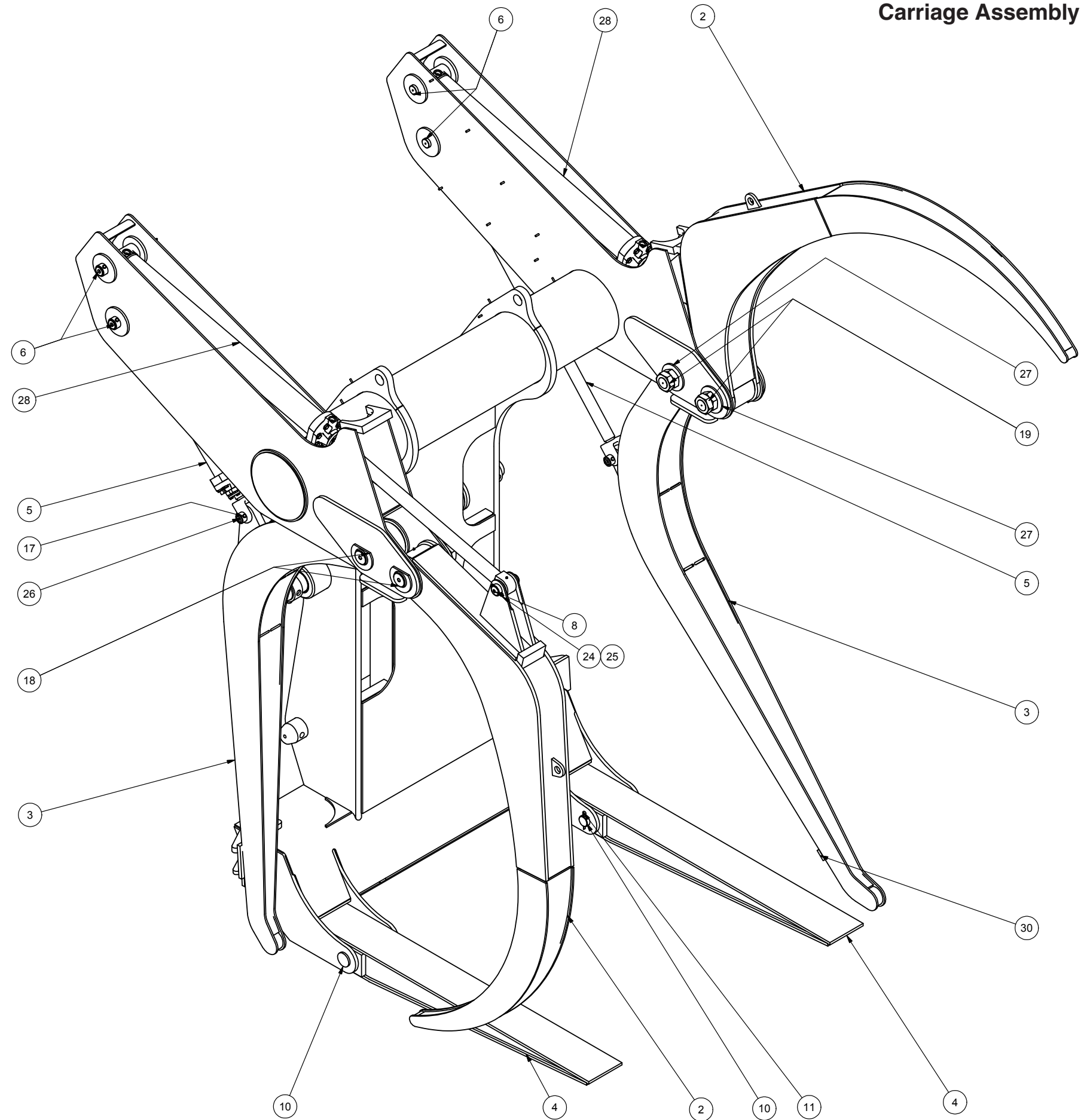
* See Separate Coverage

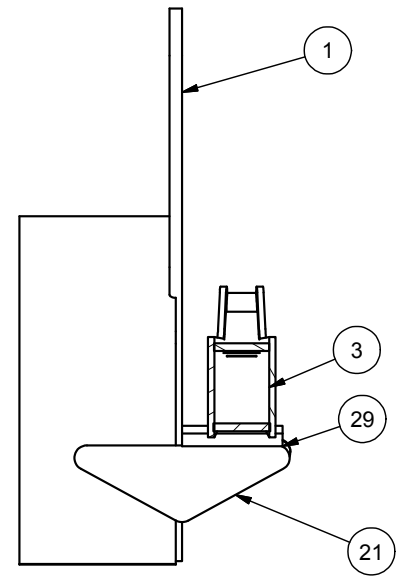


A-

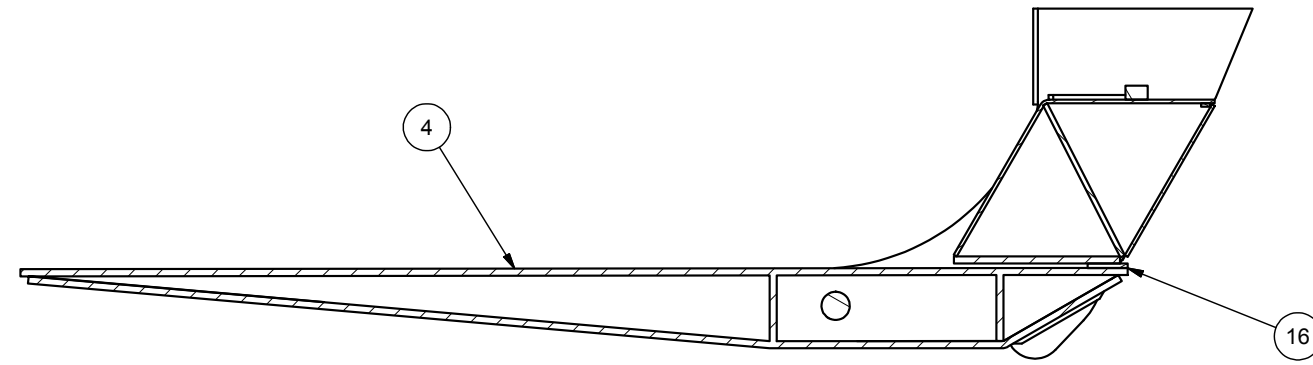


DETAIL OF HOLDDOWN
& KICKOFF ASSEMBLIES

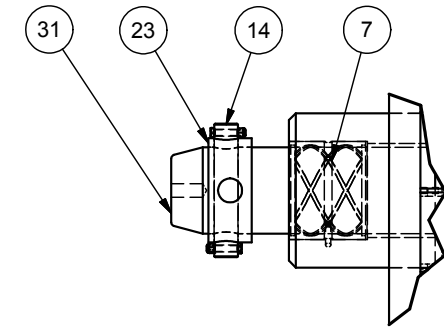




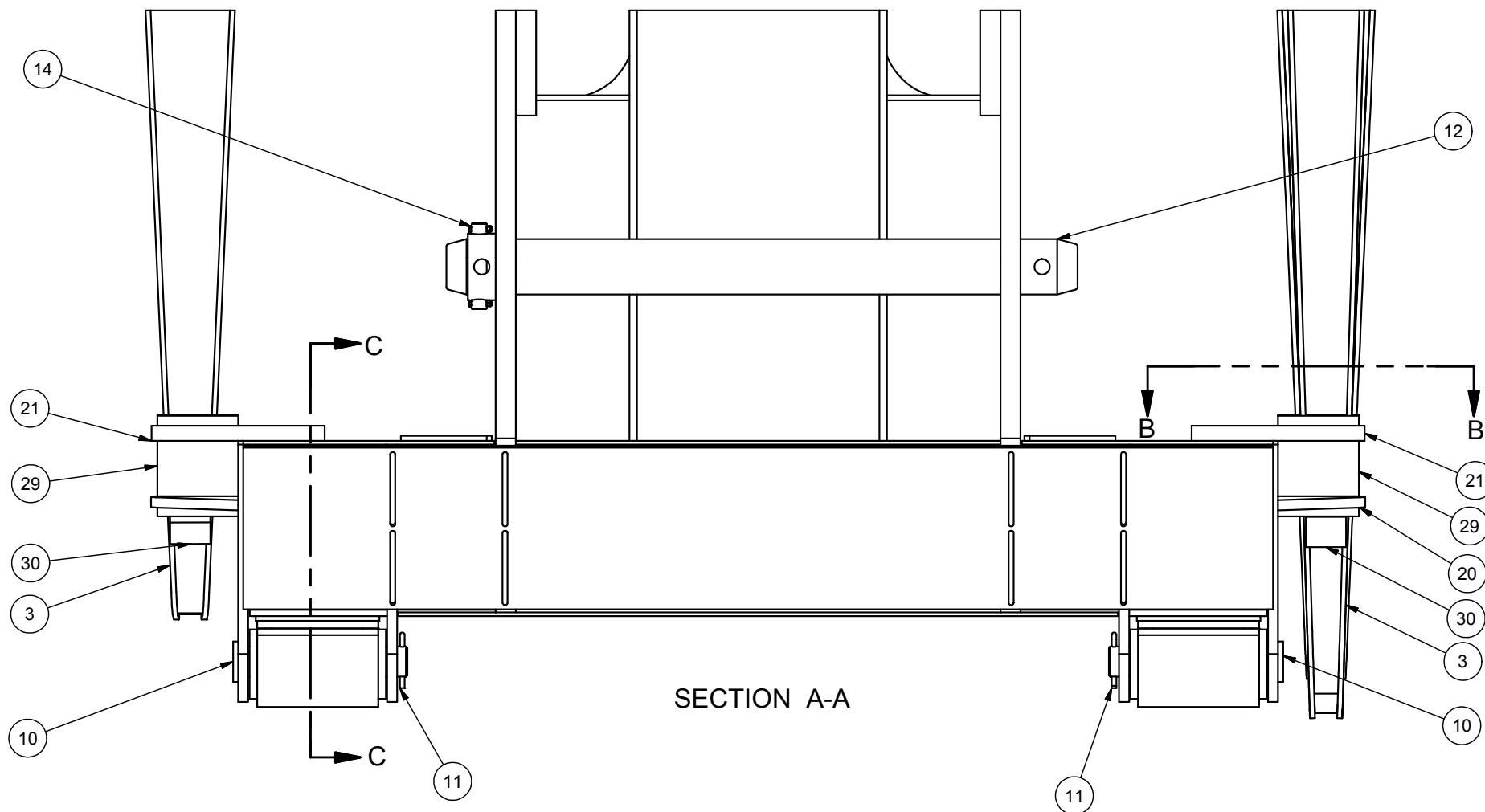
SECTION B-B



SECTION C-C



DETAIL C



SECTION A-A

