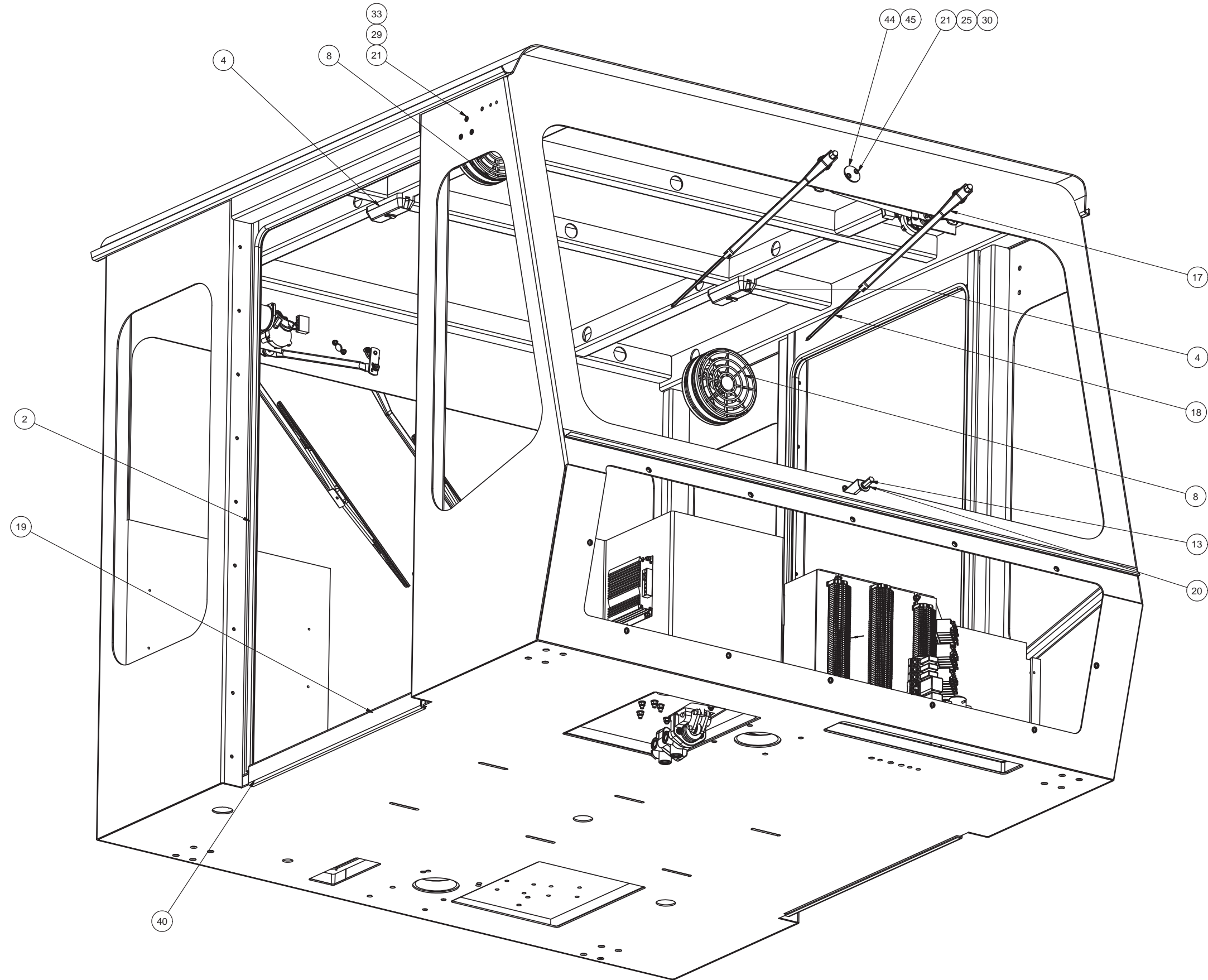
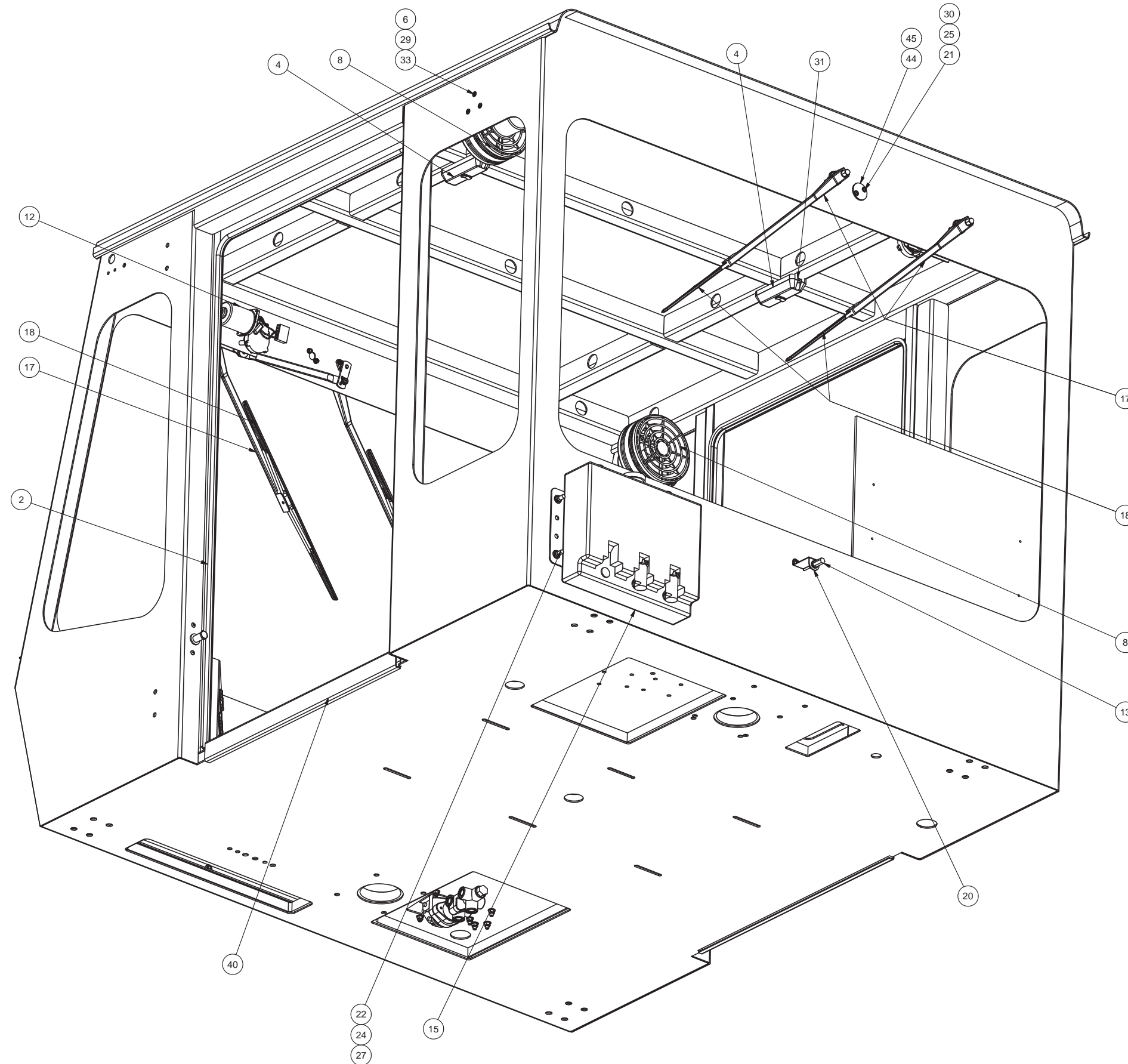

Cab Interior Assembly

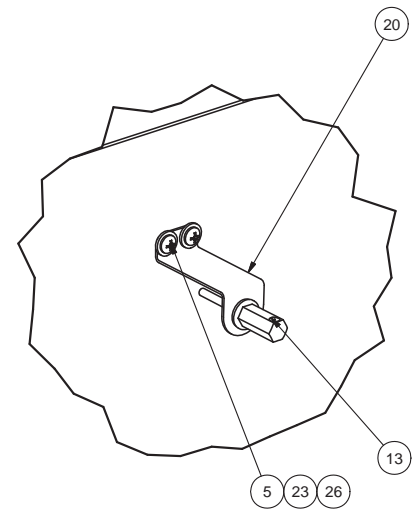
Cab Interior Assembly

Item	Part No.	Qty	Description	Item	Part No.	Qty	Description
	584549		Cab Assembly, Interior	24	R13804124	4	. Locknut
2	035-0673	50'	. Seal, Cab Door	25	R13809543	12	. Locknut
3	090-0153	1	. Plate, Panel	26	R13811189	4	. Locknut
4	251034	2	. Light, Dome	27	R13811447	8	. Washer
5	18720W	4	. Capscrew	28	R13812512	6	. Lockwasher
6	222255	6	. Hex Nut	29	Y25G-(0832)10	6	. Capscrew
7	224120W	6	. Capscrew	30	Y25G-(1024)12	12	. Capscrew
8	239161	2	. Fan, Defroster	31	Y25G-(1024)08	4	. Capscrew
9	247682	2	. Bracket, Wiper Motor	32	Y25G-0408	4	. Capscrew
10	247684	2	. Arm, Drive	33	234197	12	. Washer
11	248521	4	. Shaft, Pivot	34	255200	1	. Valve, Brake Tandem
12	247681	2	. Motor, Wiper		245367	11	. Repair Kit
13	249776	2	. Nozzle, Jet, Single		255727	11	. Valve Assembly
14	251644	2	. Link Arm, Wiper		255728	11	. Pedal And Base Assembly
15	254779	1	. Washer		255729	11	. Boot Kit
16	248523	2	. Link, Pivot Shaft	35	* 246923	1	. Pedal Assem, Elec Throttle
17	255032	4	. Arm, Wiper	36	R13811015	3	. Capscrew
18	255033	4	. Blade, Wiper	37	R13811190	7	. Locknut
19	255039	1	. Mat, Ribbed Floor	38	00103340	14	. Washer
20	569247	2	. Plate, Mounting	39	R13811014	4	. Capscrew
21	R13122	24	. Washer	40	585132	2	. Plate, Threshold
22	R1313986	4	. Stud, Weld	42	Y25G-0516	10	. Capscrew
23	R13802619	8	. Washer	43	NCC0003125	10	. Nut
				44	585176	2	. Plate, Cover
				45	585177	2	. Gasket

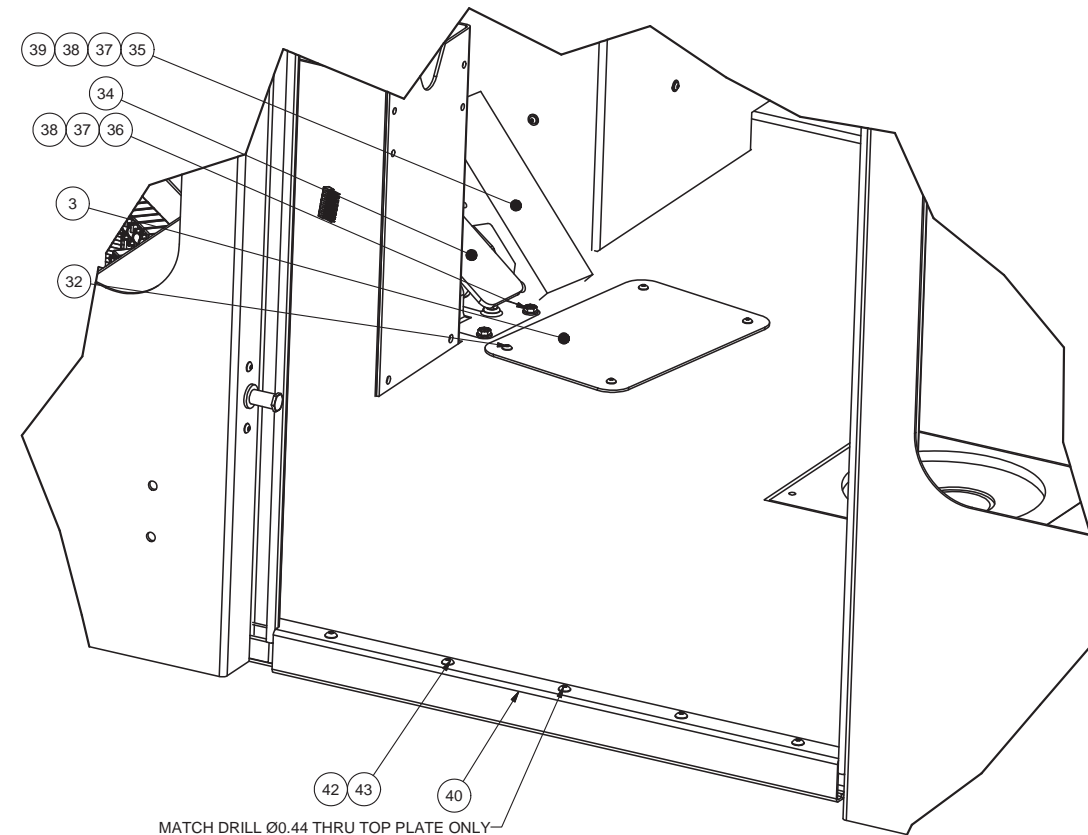
* See Separate Coverage



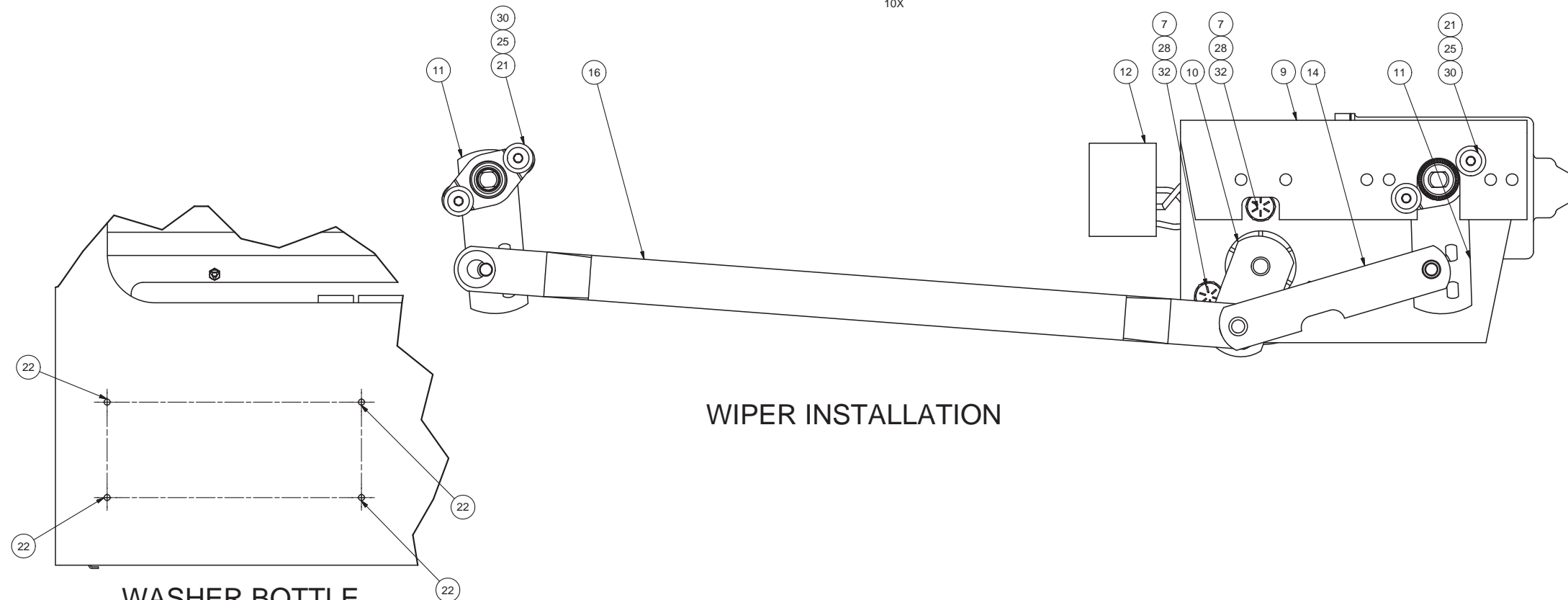




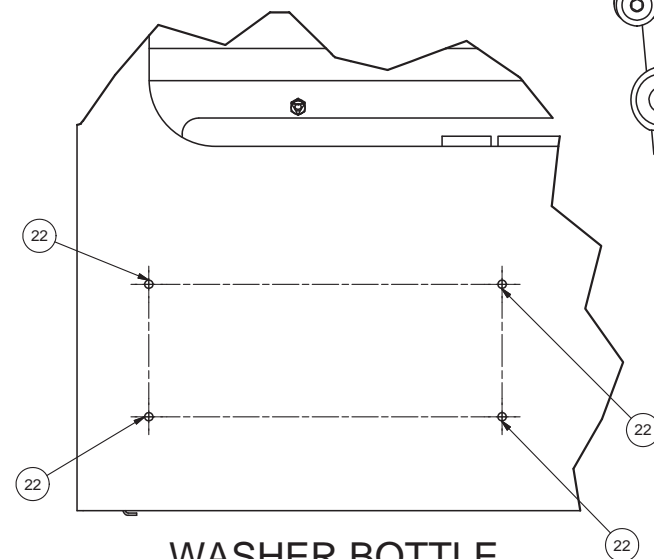
**NOZZLE DETAIL
FRONT AND REAR**



MATCH DRILL Ø0.44 THRU TOP PLATE ONLY-
10X



WIPER INSTALLATION



**WASHER BOTTLE
STUDS LOCATION**