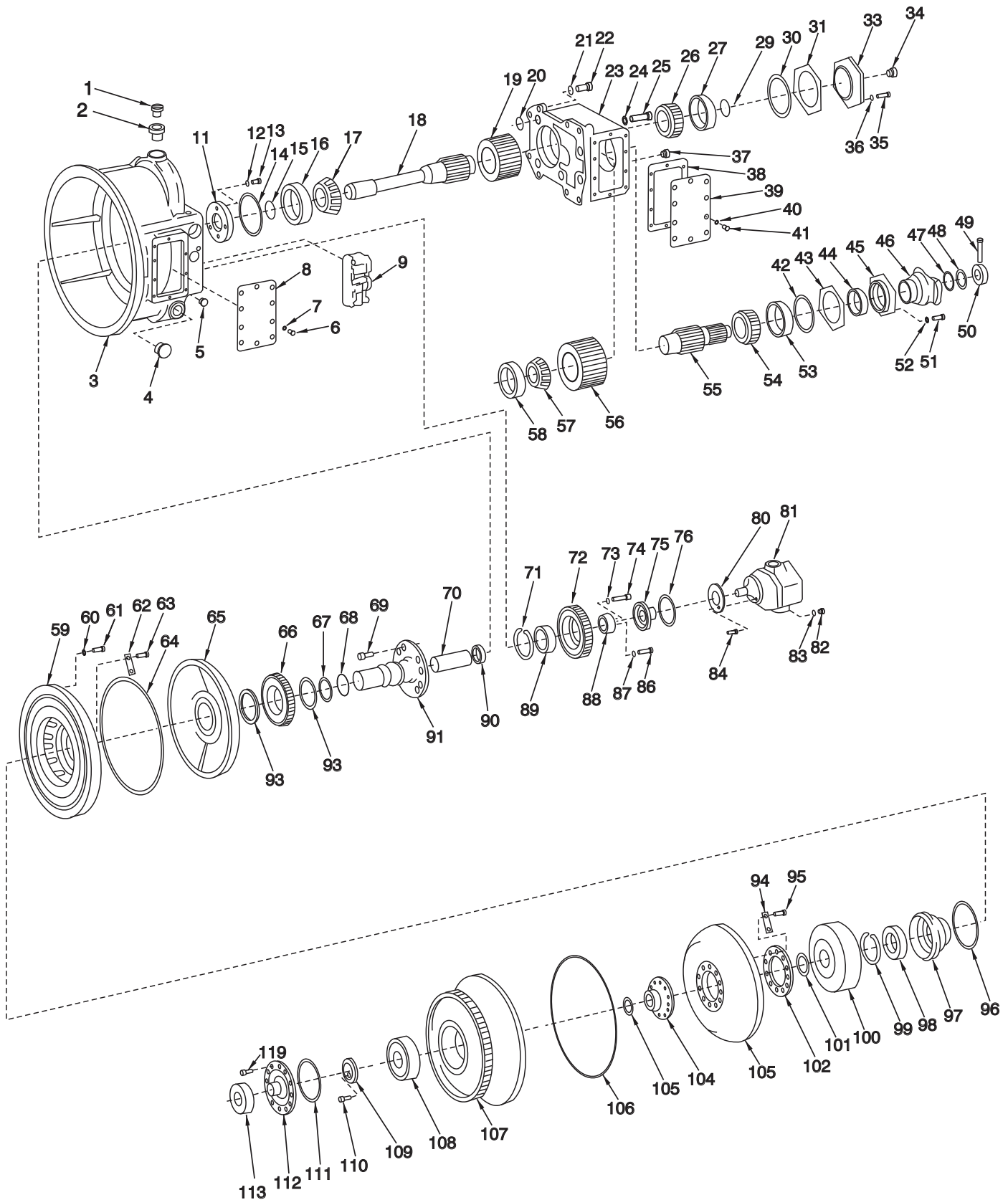

Torque Converter



Torque Converter

Item	Part No.	Qty	Description	Item	Part No.	Qty	Description
	584502		Torque Converter				
1	*d 251625	1	. Plug, Breather Adaptor	56	216547	1	. Output Shaft Gear
2	216539	1	. Adapter, Breather	57	*d 219654	1	. Bearing Cone
3	216560	1	. Converter Housing	58	*d 219655	1	. Bearing Cup
4	209140	2	. Drain Plug	59	255708	1	. Impeller
5	209512	1	. Plug, Pipe	60	R13800829	36	. Lockwasher
6	201613	10	. Screw	61	00179866	36	. Capscrew
7	R13800829	10	. Lockwasher	62	*d 216572	6	. Lock Plate
8	216559	1	. Cover Plate	63	216573	12	. Lock Plate
9	219652	1	. Valve, Pressure (see Page 4)	64	*d 216581	1	. O-Ring
11	216541	1	. Drop Gear Housing Adaptor	65	216580	1	. Oil Baffle
12	201567	4	. Lockwasher	66	216578	1	. Oil Pump Driver Gear
13	201603	4	. Screw	67	*d 222457	1	. Piston Ring
14	*d 251627	1	. O-Ring	68	*d 222458	1	. Piston Ring Expander Spring
15	*d 242392	1	. Piston O-Ring	69	238092	8	. Stator Support Screw
16	*d 216544	1	. Bearing Cup-Front	70	*c 216575	1	. Oil Tube
17	*d 251628	1	. Bearing Cone-Front	71	*d 216530	3	. Bearing Snap Ring
18	216546	1	. Turbine Shaft	72	216538	3	. Pump Driven Gear
19	216547	1	. Turbine Shaft Gear	73	200604	3	. Lockwasher
20	*d 251629	6	. O-Ring	74	18589W	3	. Capscrew
21	216549	6	. Lockwasher	75	216533	2	. Pump Drive Sleeve
22	216550	6	. Screw	76	*d 216535	3	. Snap Ring
23	216548	1	. Drop Gear Housing	80	*d 505499	1	. Pump Gasket
24	216549	2	. Lockwasher	81	*e - - - - -	1	. Converter Charging Pump
25	216551	2	. Screw	82	205124	4	. Nut
26	*d 219654	1	. Bearing Cone-Rear	83	200604	4	. Lockwasher
27	*d 219655	1	. Bearing Cup-Rear	84	219663	4	. Pump Mounting Stud
29	*a 227825	1	. Turbine Shaft Plug	86	200572	6	. Bearing Carrier to Housing Screw
30	*d 214786	1	. Bearing Cap O-Ring	87	200604	6	. Lockwasher
31	*d 216554	AR	. Bearing Cap Shim	88	216532	3	. Pump Drive Bearing Carrier
31A	*d 216555	AR	. Bearing Cap Shim	89	*d 251633	3	. Pump Driven Gear Bearing
31B	*d 216556	AR	. Bearing Cap Shim	90	*c 216576	1	. Oil Distributor Sleeve
33	251630	1	. Bearing Cap	92	*d 216577	1	. Gear Snap Ring
34	209916	1	. Pipe Plug	93	*d 216579	1	. Oil Seal
35	222379	6	. Bearing Screw	94	*d 216568	6	. Turbine To Hub Screw Lock Plate
36	200604	6	. Lockwasher	95	216570	12	. Turbine to Hub Screw
37	209512	1	. Plug-Lube Line	96	*d 219664	1	. Impeller Hub O-Ring
38	*d 216558	1	. Housing Cover Plate Gasket	97	216583	1	. Impeller Hub
39	216559	1	. Housing Cover Plate	98	*d 216584	1	. Impeller Hub Bearing
40	200603	10	. Lockwasher	99	*d 212361	1	. Impeller Hub Bearing Snap Ring
41	201613	10	. Housing Cover Plate Screw	100	255707	1	. Reaction Member
42	*d 216561	1	. O-Ring	101	*d R214337	1	. Reaction Member Snap Ring
43	*d 216562	AR	. Bearing Cap Shim	102	216569	1	. Lock Plate
43A	*d 216563	AR	. Bearing Cap Shim	103	255709	1	. Turbine
43B	*d 216564	AR	. Bearing Cap Shim	104	219667	1	. Turbine Hub
44	*d 212303	1	. Oil Seal	105	*d 216589	1	. Turbine Hub Snap Ring
45	216565	1	. Bearing Cap	106	*d 212460	1	. Impeller to Cover O-Ring
46	212309	1	. Output Flange	107	251635	1	. Impeller Cover
47	*d 212310	1	. O-Ring	108	*d 219669	1	. Turbine Hub Bearing
48	212311	1	. Flange Washer	109	251636	1	. Front Bearing Plate
49	*d 200617	1	. Flange Cotter Pin	109A	*a 251637	1	. Plate Disc Spring-N.I.
50	212312	1	. Flange Nut	110	251638	3	. Front Bearing Plate Screw
51	222379	6	. Bearing Capscrew	111	*d R13803661	1	. O-Ring
52	200604	6	. Lockwasher	112	251639	1	. Drive Disc Adaptor
53	*d 219655	1	. Bearing Cup	113	*d 581868	1	. Drive Disc Adaptor Bushing
54	*d 219654	1	. Bearing Cone	119	237295	12	. Bearing Capscrew
55	216567	1	. Output Shaft	136*a*b	251641	2	. Pump Adaptor Cover, Press Fit

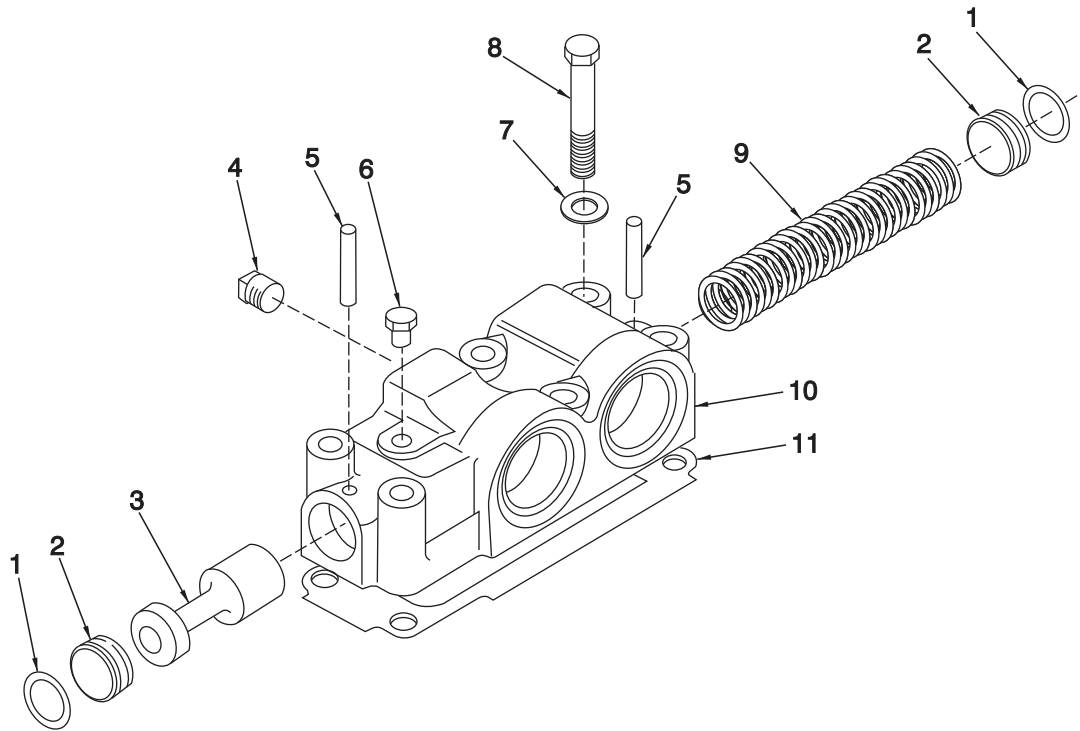
*a Not Illustrated (N. I.)

*b Assemble with Loctite 290

*c Included in 216574 Stator Support Sleeve Kit

*d Included in 582991 Converter Service Kit

*e Refer to Power Unit for Charge Pump Part Number



Item	Part No.	Qty	Description	Item	Part No.	Qty	Description
	219652		Pressure Valve				
1	214802	2	. O-Ring	9	*a 216674	1	. Pressure Spring
2	212381	2	. Piston Stop	10	216675	1	. Valve Body
3	219675	1	. Valve Piston	11	*a 216676	1	. Gasket
4	216672	1	. Pipe Plug				
5	*a 202819	2	. Roll Pin				
6	209511	1	. Pipe Plug				
7	200603	6	. Lockwasher				
8	00179870	6	. Capscrew				

*a Included in 582991 Converter Service Kit