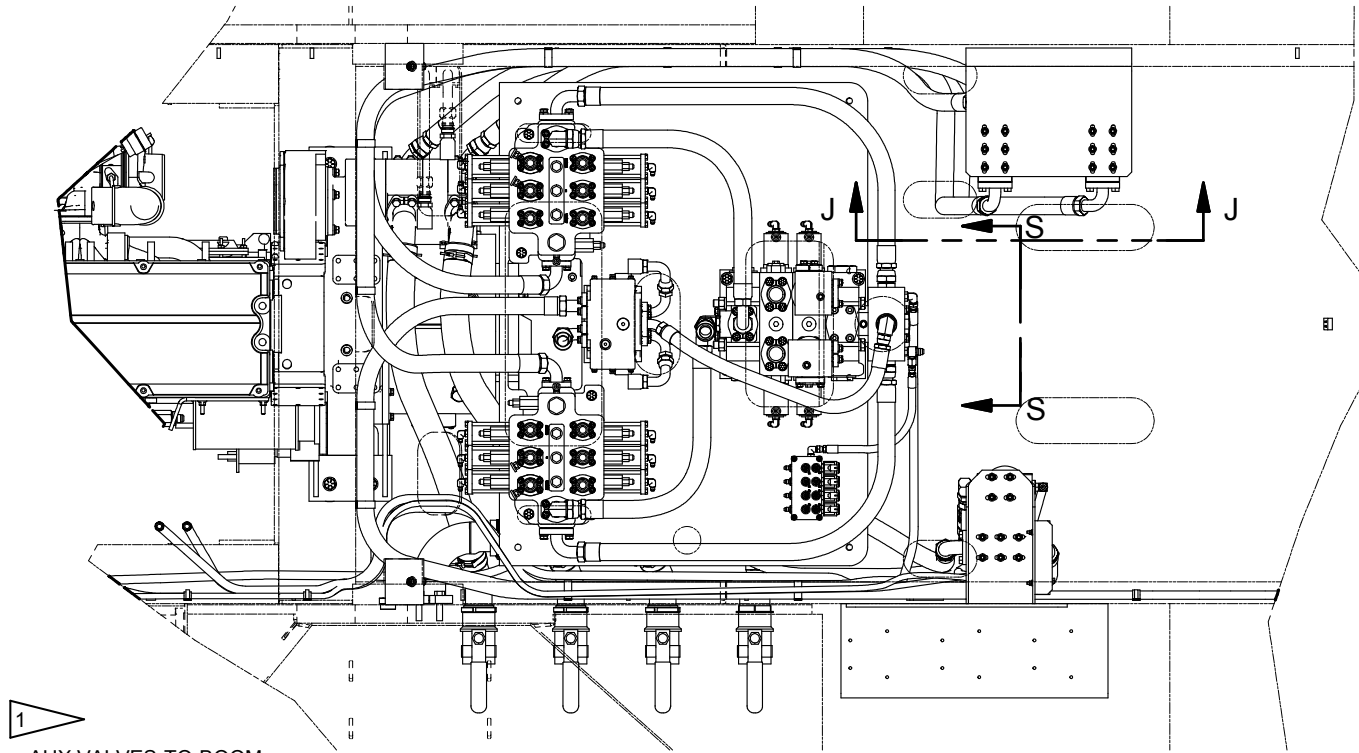

Hydraulic System - Chassis

Hydraulic System - Chassis

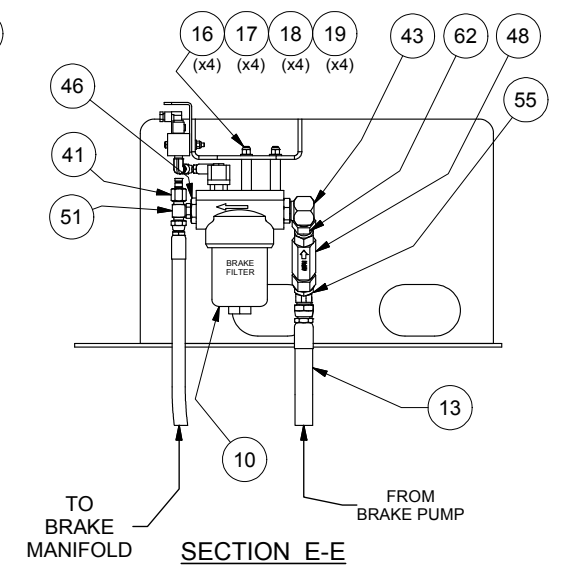
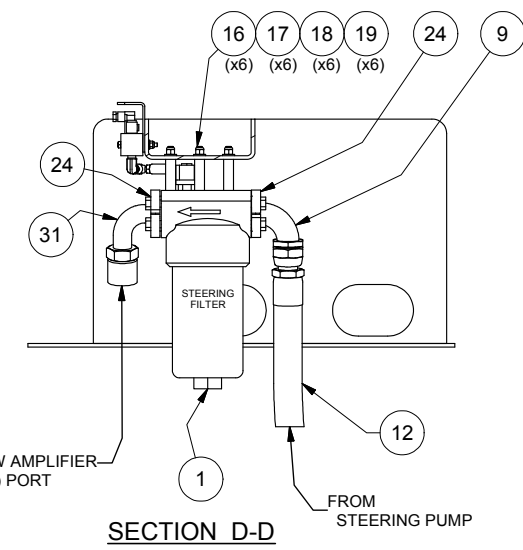
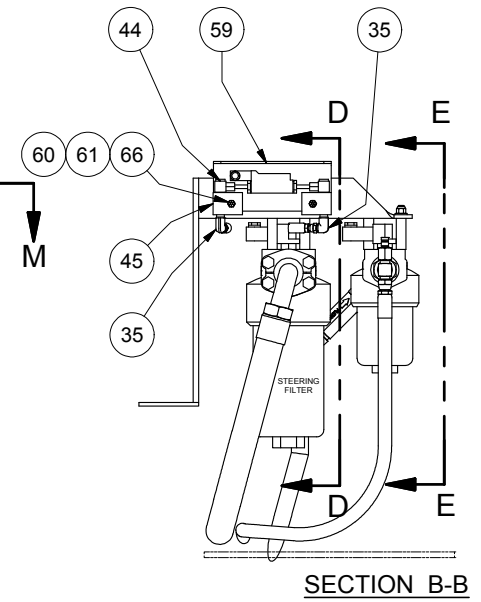
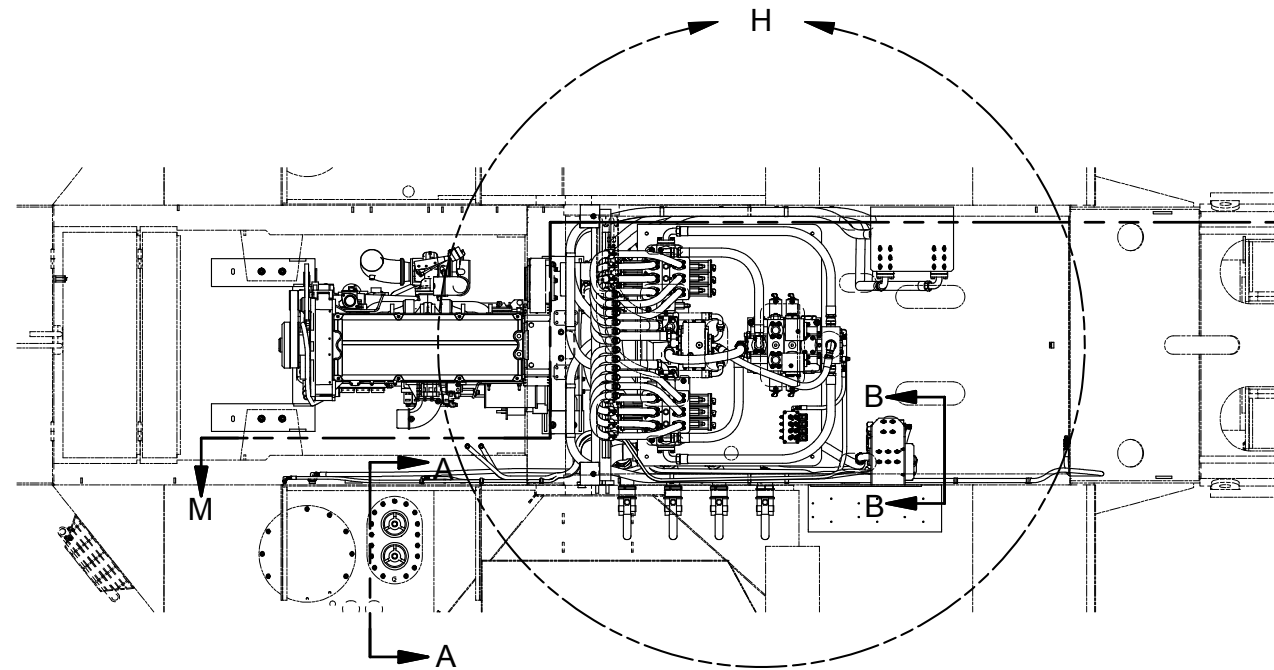
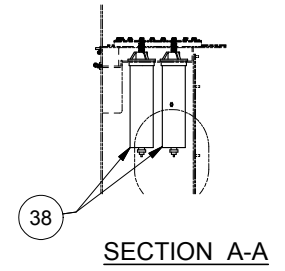
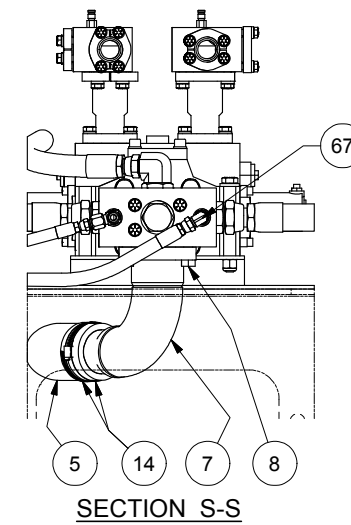
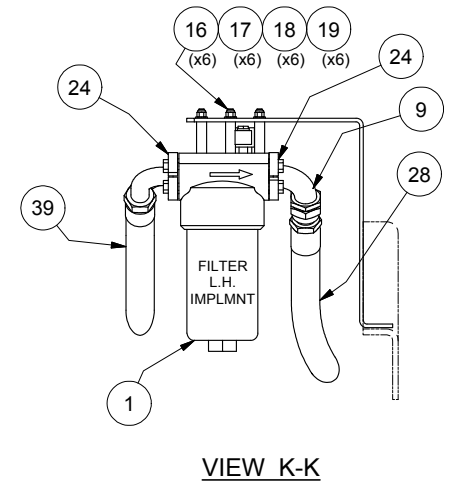
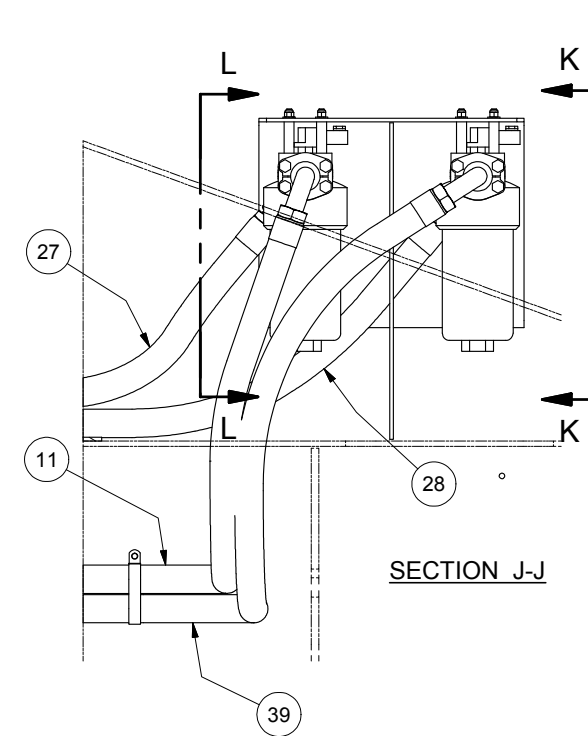
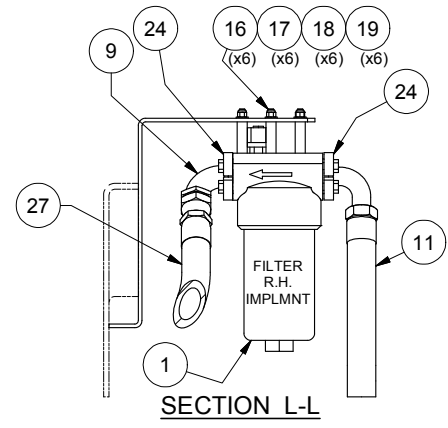
Item	Part No.	Qty	Description	Item	Part No.	Qty	Description
	584390		Hydraulic System - Chassis				
1	* 228201	3	. Pressure Filter	33	255275	1	. Hose Assembly
2	253098	4	. Ball Valve	34	247808	1	. Hose Assembly
3	253421	3	. Fitting	35	209406	2	. Fitting
4	254509	1	. Adapter	36	217251	1	. Hose Assembly
5	215279	5'	. Suction Hose	37	217250	1	. Hose Assembly
6	201440	12'	. Suction Hose	38	* 243457	2	. Filter, Insert
7	563470	2	. Elbow Weldment	39	229540	1	. Hose Assembly
8	225661	2	. Kit, Split Flange	40	223436	1	. Fitting
	203528	1	.. O-Ring	41	253326	2	. Coupler, Male
	229082	4	.. Capscrew	42	209139	2	. Fitting
	230769	2	.. Clamp Half	43	12666	1	. Fitting
9	14274	3	. Fitting	44	245334	1	. Indicator, Elec/Vis
10	* 228200	1	. Pressure Filter	45	578466	2	. Adapter
11	253323	1	. Hose Assembly	46	209067	2	. Fitting
12	227565	1	. Hose Assembly	47	23546	1	. Hose Assembly
13	243241	1	. Hose Assembly	48	R13430	1	. Check Valve
14	229187	4	. Hose Clamp	51	211551	2	. Fitting
15	216042	12	. T-Bolt Clamp	53	251567	1	. Hose Assembly
16	242368	22	. Stud	55	209485	1	. Fitting
17	R13806980	22	. Flat Washer	58	201566	2	. Lockwasher
18	R13811191	22	. Locknut	59	581018	1	. Plate
19	563204	22	. Spacer	60	R13811189	2	. Locknut
21	* 581404	1	. Manifold Assembly	61	R13811443	2	. Flat Washer
22	581411	1	. Bar, Tap	62	R14377	1	. Fitting
24	11767	6	. Kit, Split Flange	63	223784	2	. Fitting
	200604	4	.. Washer	65	237471	1	. Hose Assembly
	209537	2	.. Clamp Half	66	R13810999	2	. Capscrew
	222379	4	.. Capscrew	67	209488	4	. Fitting
25	220794	1	. Fitting	68	229389	2	. Fitting
26	209191	1	. Fitting	69	R13811020	2	. Capscrew
27	255272	1	. Hose Assembly	70	253315	1	. Hose Assembly
28	255271	1	. Hose Assembly	71	251569	1	. Hose Assembly
31	255273	1	. Hose Assembly				

* See Separate Coverage



1
AUX VALVES-TO-BOOM
& STEERING HOSES
OMITTED FOR CLARITY

DETAIL H



TO FLOW AMPLIFIER (HP) PORT
FROM STEERING PUMP

TO BRAKE MANIFOLD
FROM BRAKE PUMP

