

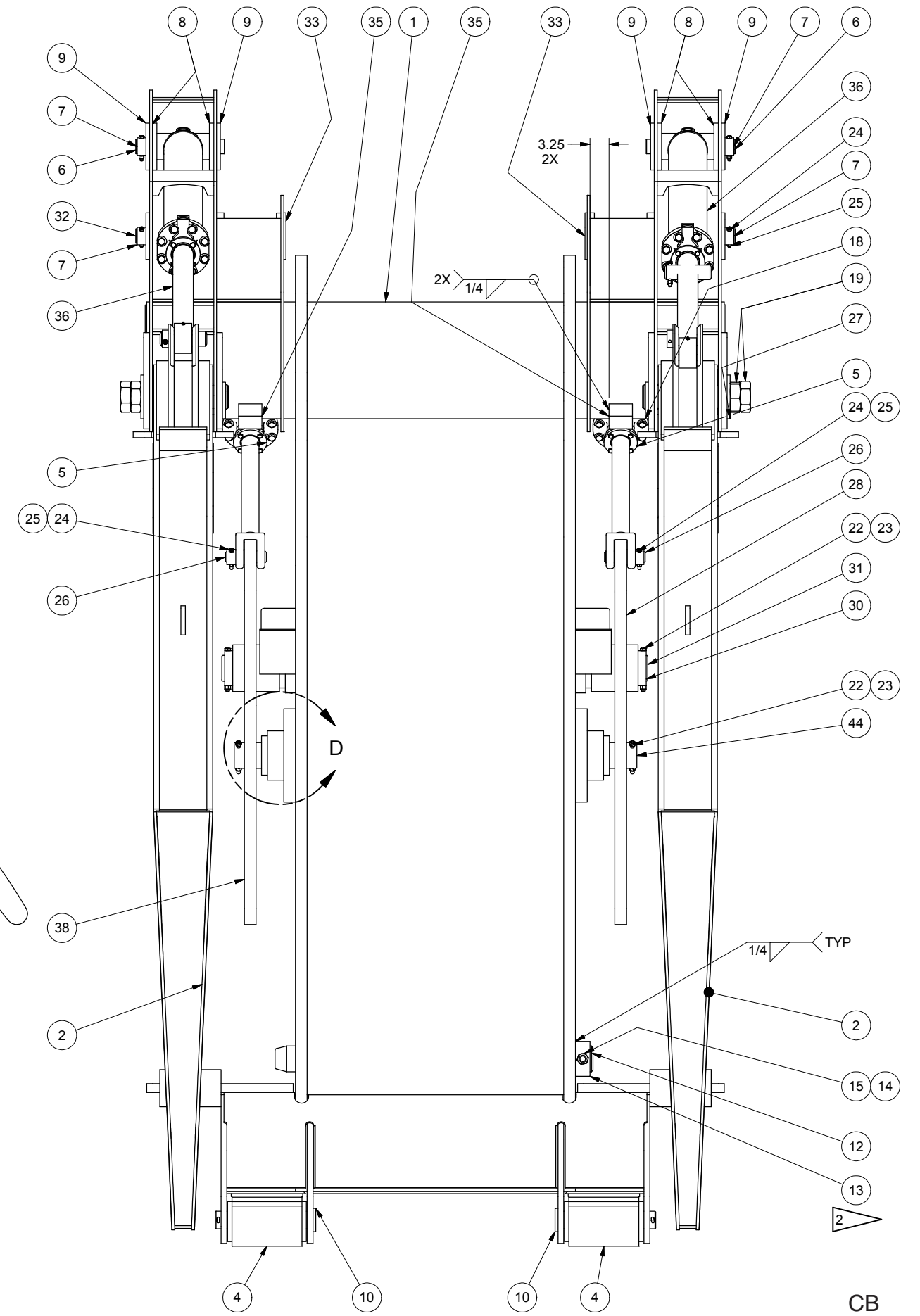
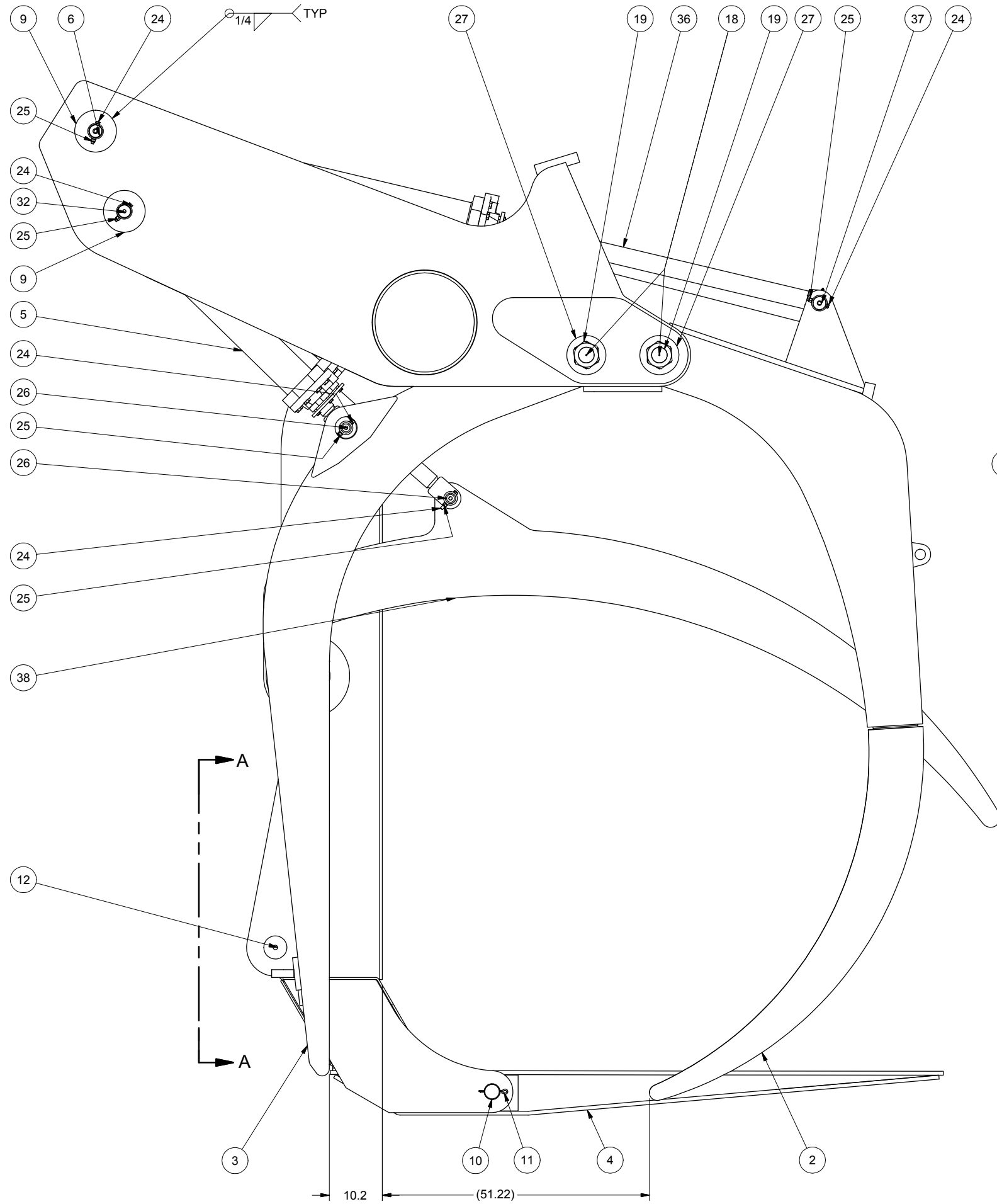
---

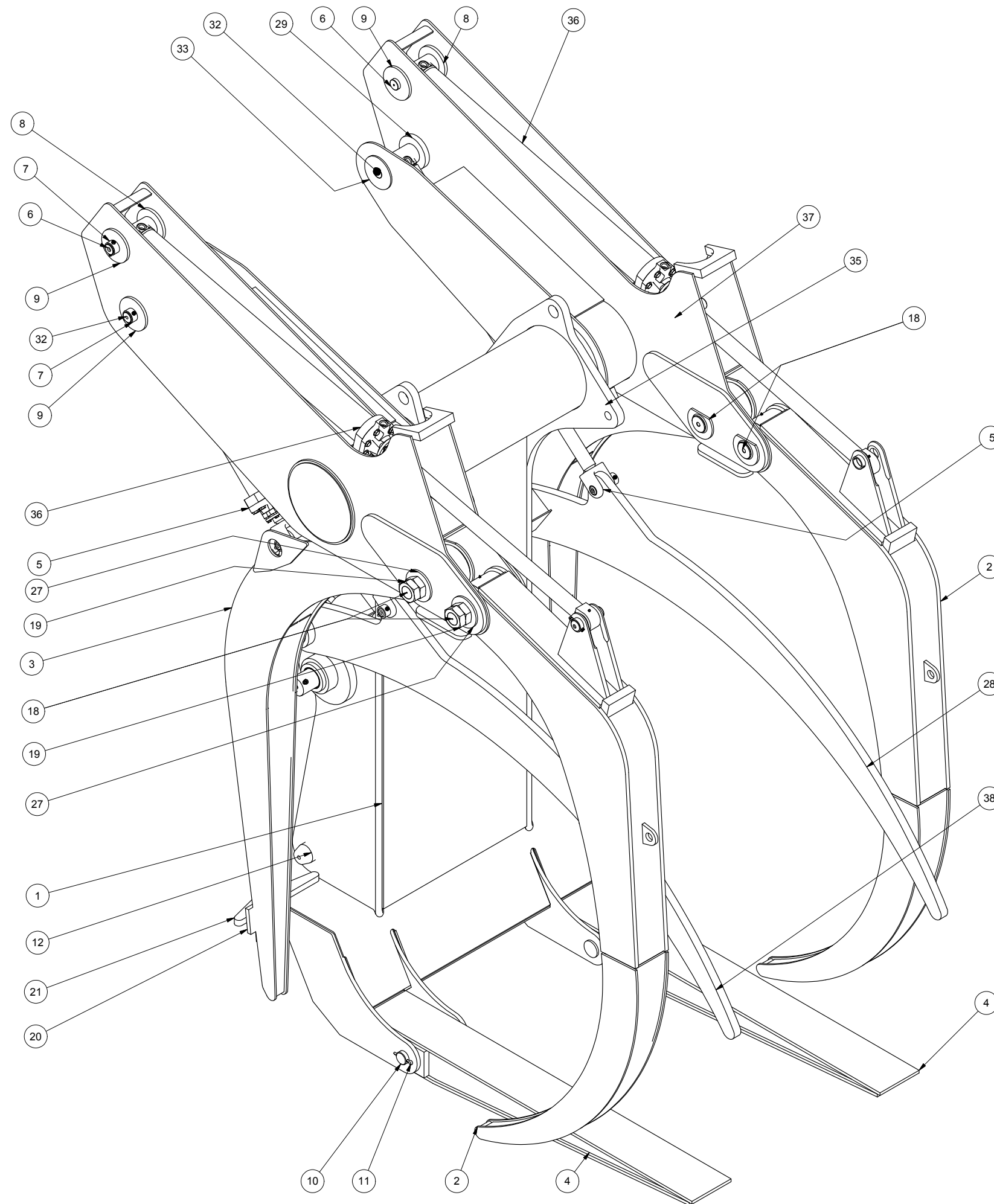
Carriage Assembly

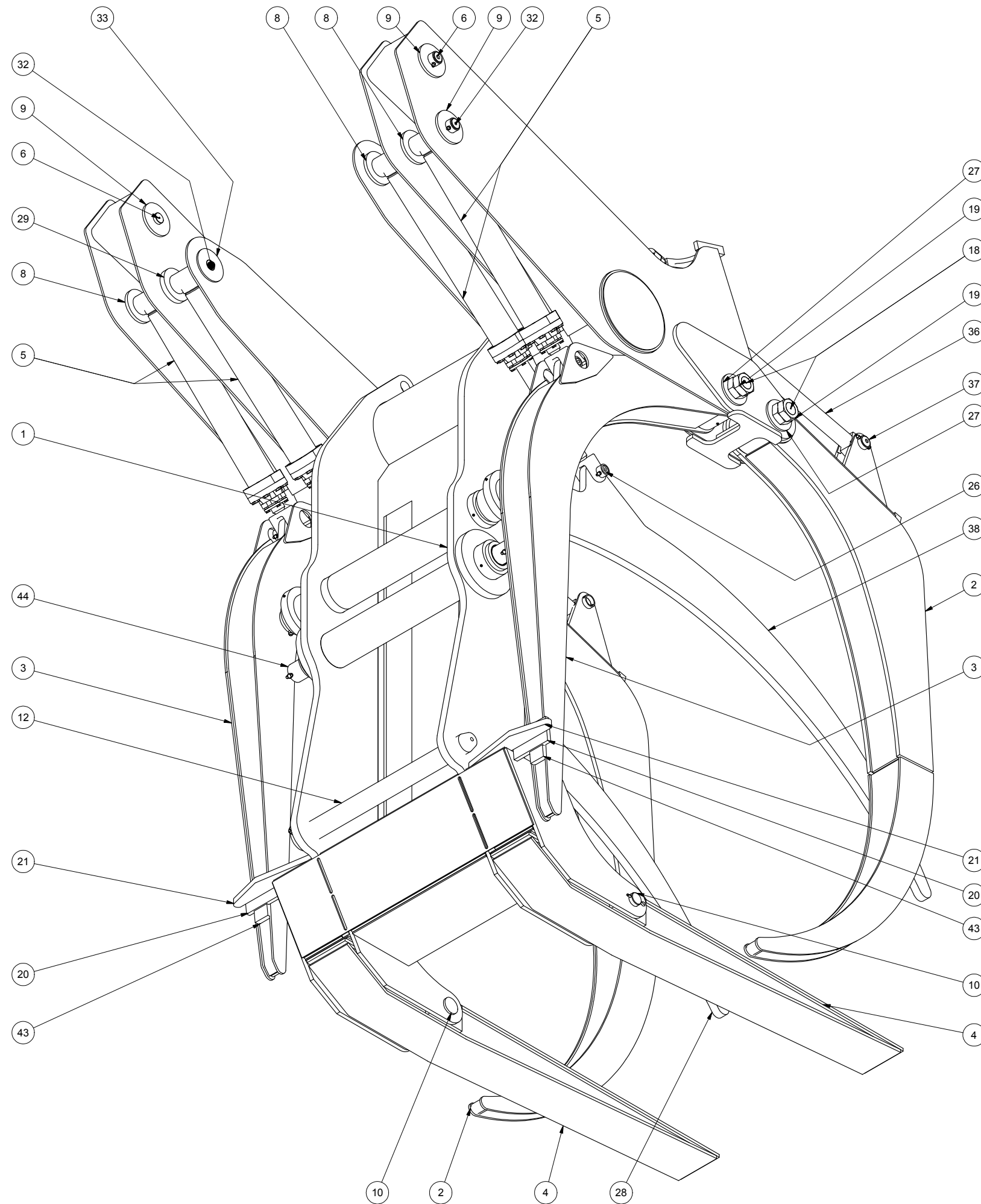
## Carriage Assembly

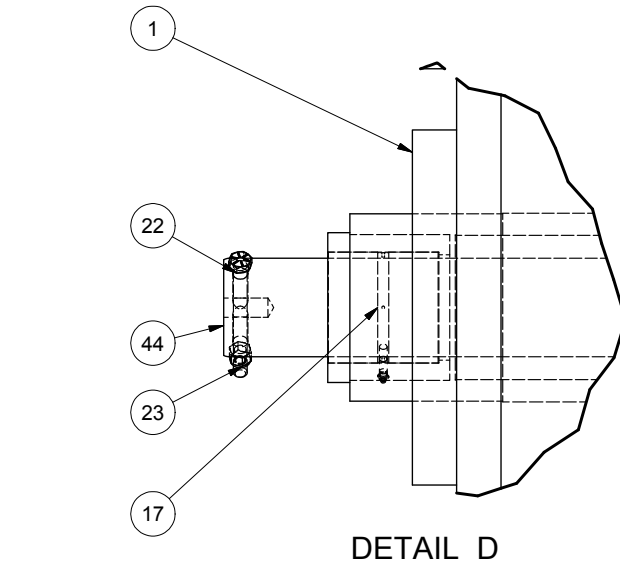
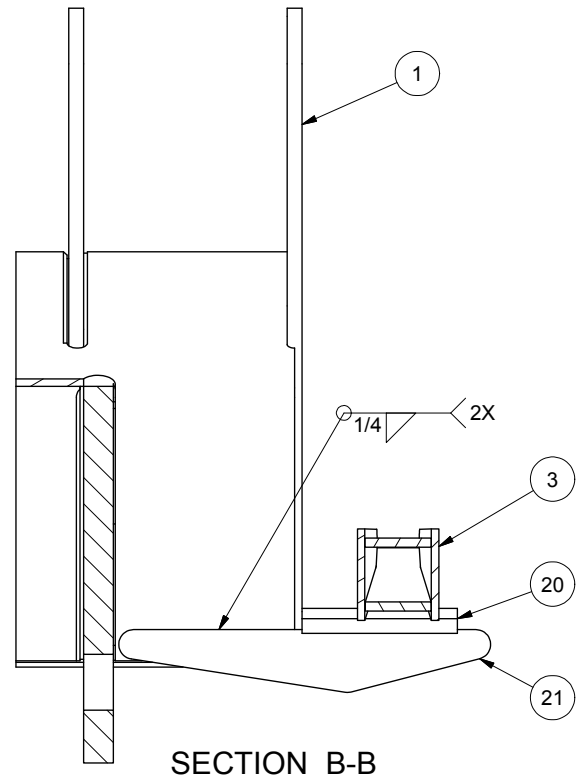
| Item | Part No.      | Qty | Description              | Item | Part No.  | Qty | Description                 |
|------|---------------|-----|--------------------------|------|-----------|-----|-----------------------------|
|      | <b>584387</b> |     | <b>Carriage Assembly</b> |      |           |     |                             |
| 1    | 579445        | 1   | . Carriage               | 21   | 573728    | 2   | . Plate, Stop               |
| 2    | 579450        | 2   | . Holddown Assembly      | 22   | 219886    | 4   | . Capscrew                  |
| 2a   | 00191758      | 1   | .. Fitting, Lube         | 23   | 230897    | 4   | . Locknut                   |
| 2b   | 534117        | 2   | .. Bushing               | 24   | R13811085 | 10  | . Capscrew                  |
| 3    | 579475        | 2   | . Kickoff Assembly       | 25   | 224202    | 10  | . Nut, Esna                 |
| 3a   | 00191758      | 1   | .. Fitting, Lube         | 26   | 541616    | 4   | . Pin                       |
| 3b   | 501571        | 1   | .. Bushing               | 27   | 562555    | 4   | . Spacer Plate              |
| 3c   | 534117        | 2   | .. Bushing               | 28   | 579446    | 1   | . Holddown Assembly, Aux LH |
| 4    | 526133        | 2   | . Tine Weldment          | 28a  | 00191758  | 1   | .. Fitting, Lube            |
| 5    | * 526164      | 4   | . Cylinder Assembly      | 28b  | 501571    | 1   | .. Bushing,                 |
| 6    | 500418        | 2   | . Pin                    | 28c  | 580844    | 2   | .. Bushing                  |
| 7    | 508552        | 4   | . Lock Collar            | 29   | 577544    | 2   | . Boss                      |
| 8    | 573718        | 10  | . Boss                   | 30   | 527760    | 2   | . Lock Collar               |
| 9    | 573813        | 6   | . Boss                   | 31   | 577514    | 1   | . Pin                       |
| 10   | 526294        | 2   | . Pin Assembly           | 32   | 577515    | 2   | . Pin                       |
| 11   | 220275        | 2   | . Cotter Pin             | 33   | 584809    | 2   | . Boss                      |
| 12   | 577543        | 1   | . Pin                    | 35   | 577717    | 2   | . Plate, Stop               |
| 13   | 523108        | 1   | . Lock Collar            | 36   | * 574867  | 2   | . Cylinder Assembly         |
| 14   | R13801922     | 1   | . Capscrew               | 37   | 505841    | 2   | . Pin                       |
| 15   | 220918        | 1   | . Locknut                | 38   | 579464    | 1   | . Holddown Assembly, Aux RH |
| 16   | 519440        | 2   | . Plate                  | 38a  | 00191758  | 1   | .. Fitting, Lube            |
| 17   | 519324        | 2   | . Bushing                | 38b  | 501571    | 1   | .. Bushing                  |
| 18   | 573783        | 4   | . Pin Assembly           | 38c  | 580844    | 2   | .. Bushing                  |
| 19   | 219928        | 8   | . Jam Nut                | 43   | 563503    | 2   | . Plate, KO Stop            |
| 20   | 579617        | 2   | . Plate, Stop            | 44   | 537642    | 1   | . Pin                       |

\* See Separate Coverage



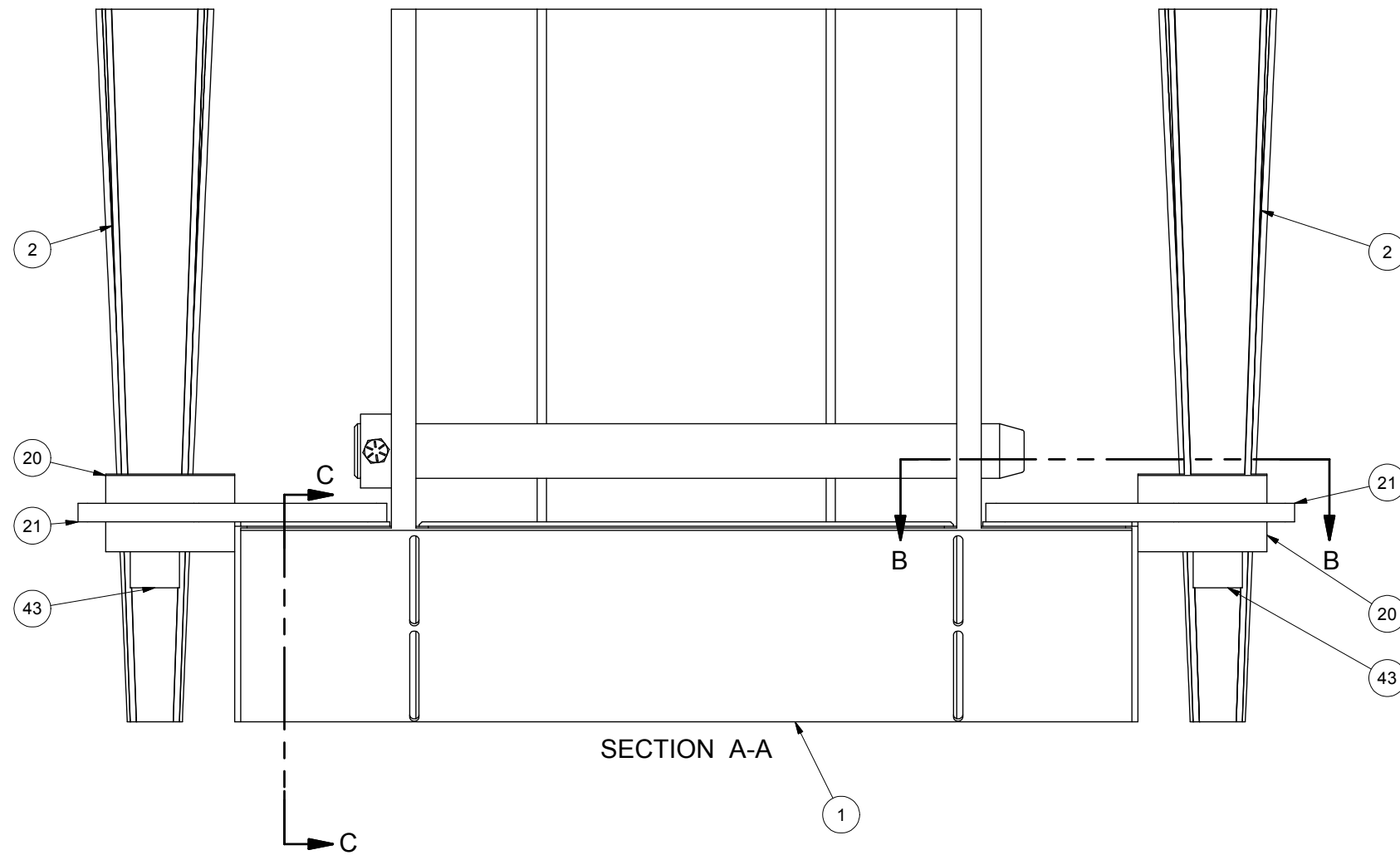
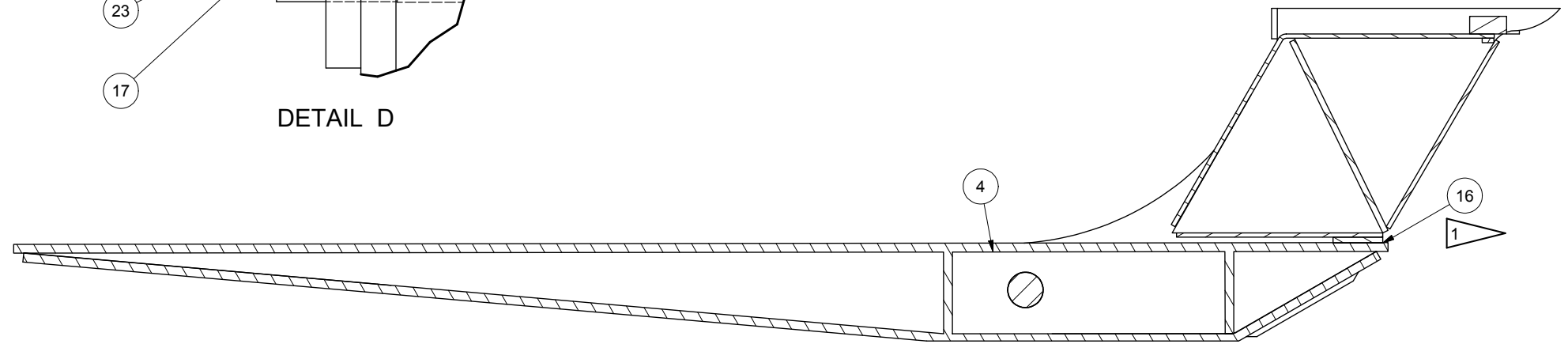




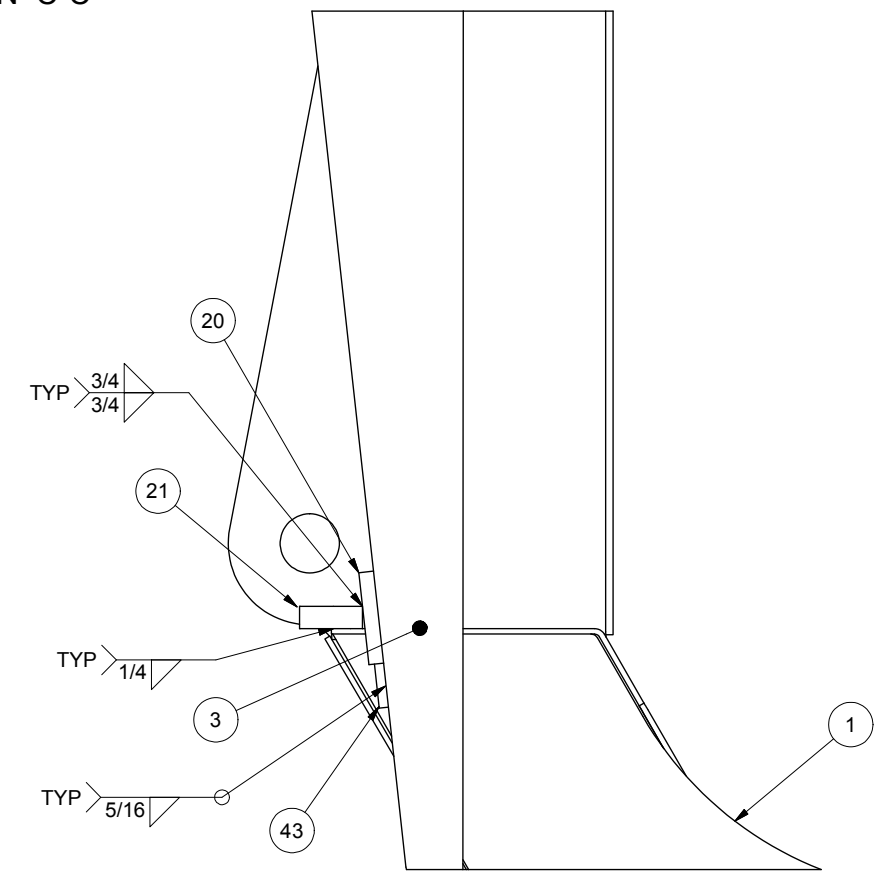


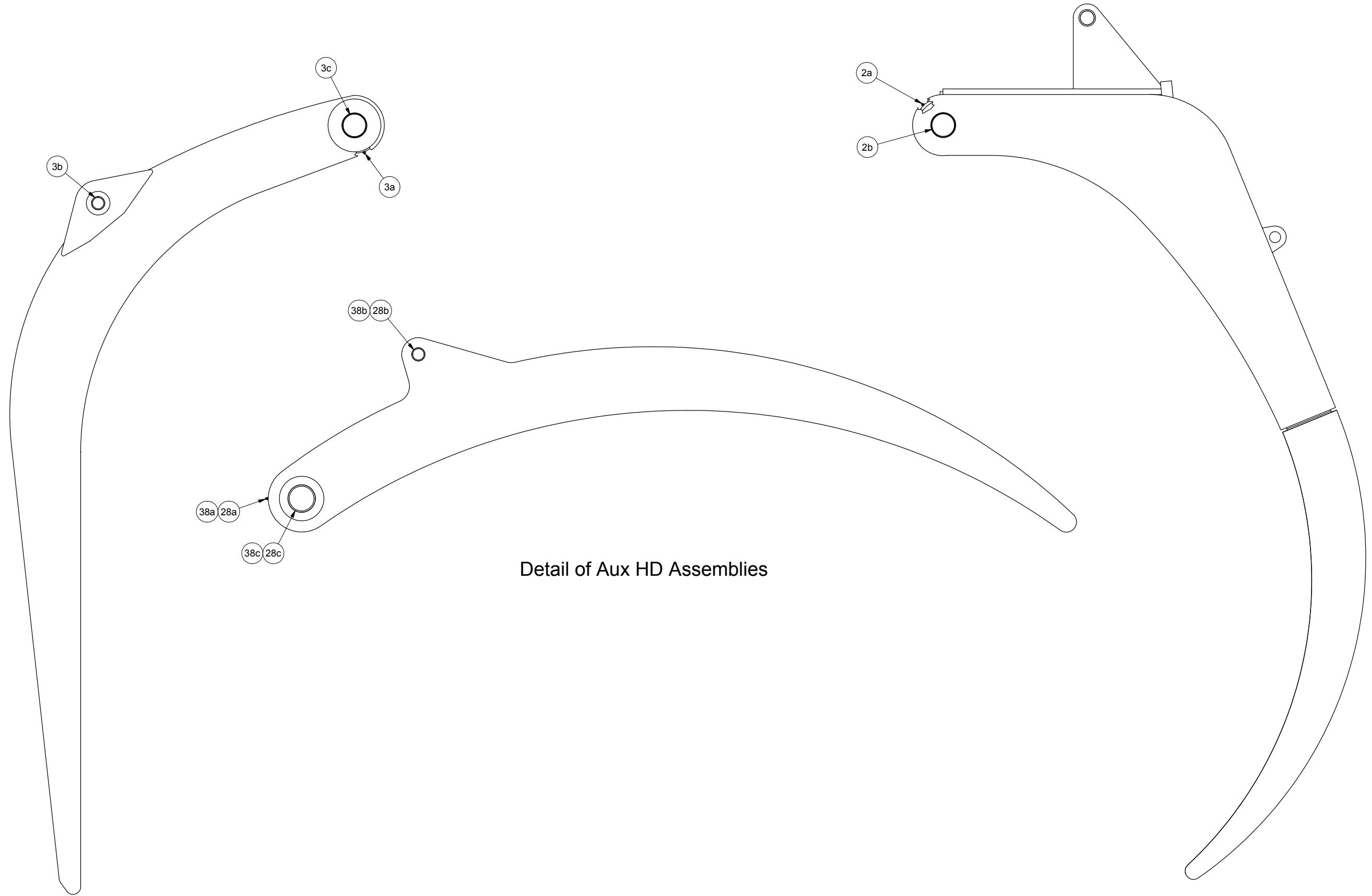
NOTES:

- 1 ADD ITEM 16 TO LEVEL ITEMS 4 WITH EACH OTHER.
- 2 NO WELD WITHIN 1" OF HOLE CENTER.



SECTION C-C





Detail of Kickoff Assemblies

Detail of Aux HD Assemblies

Detail of Holddown Assemblies