

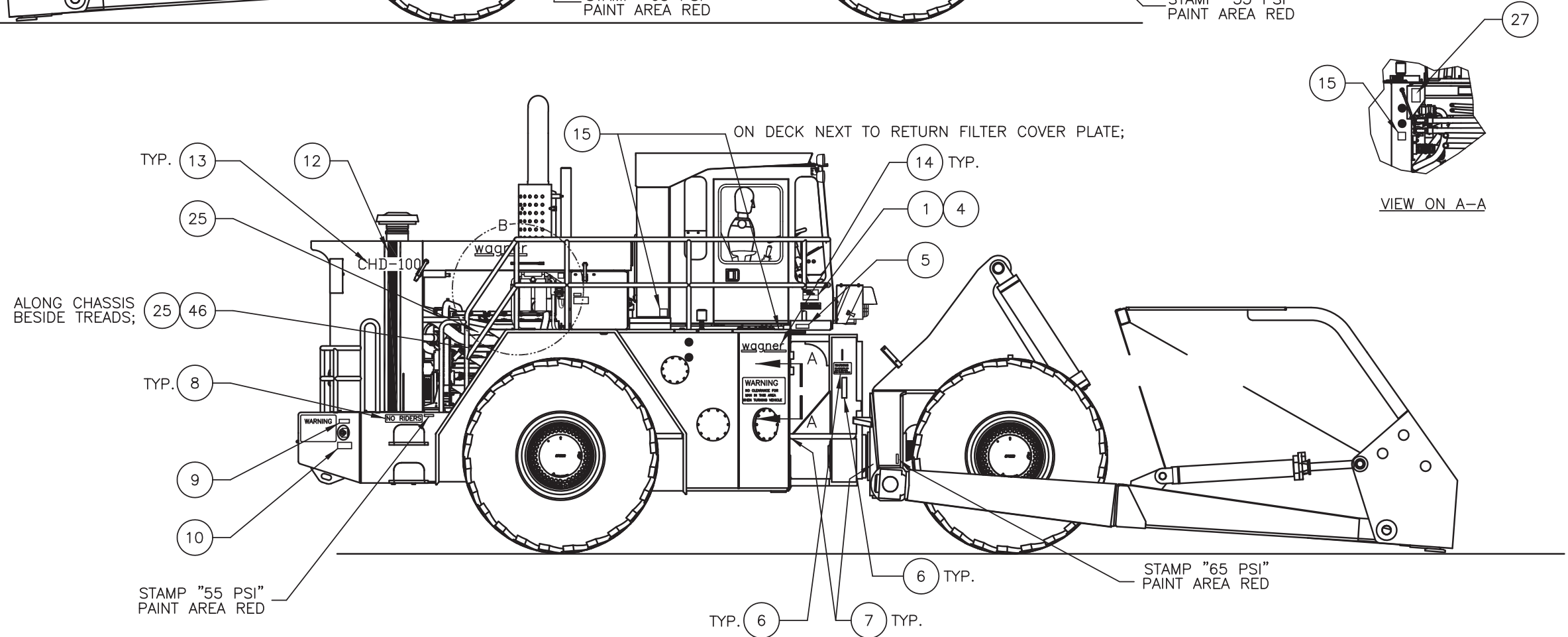
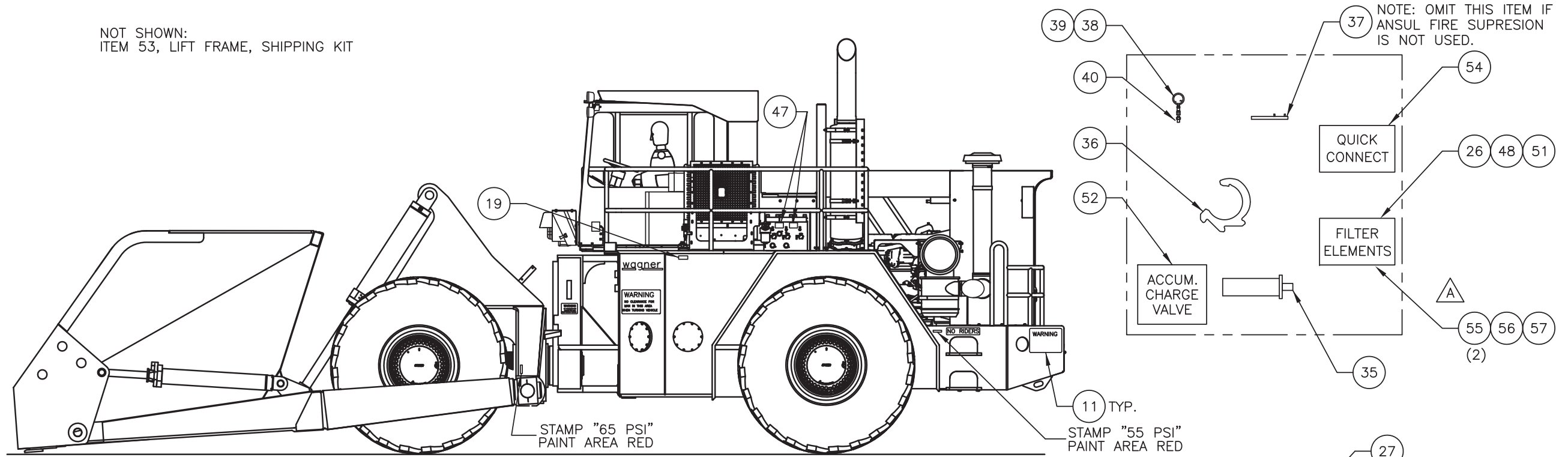
---

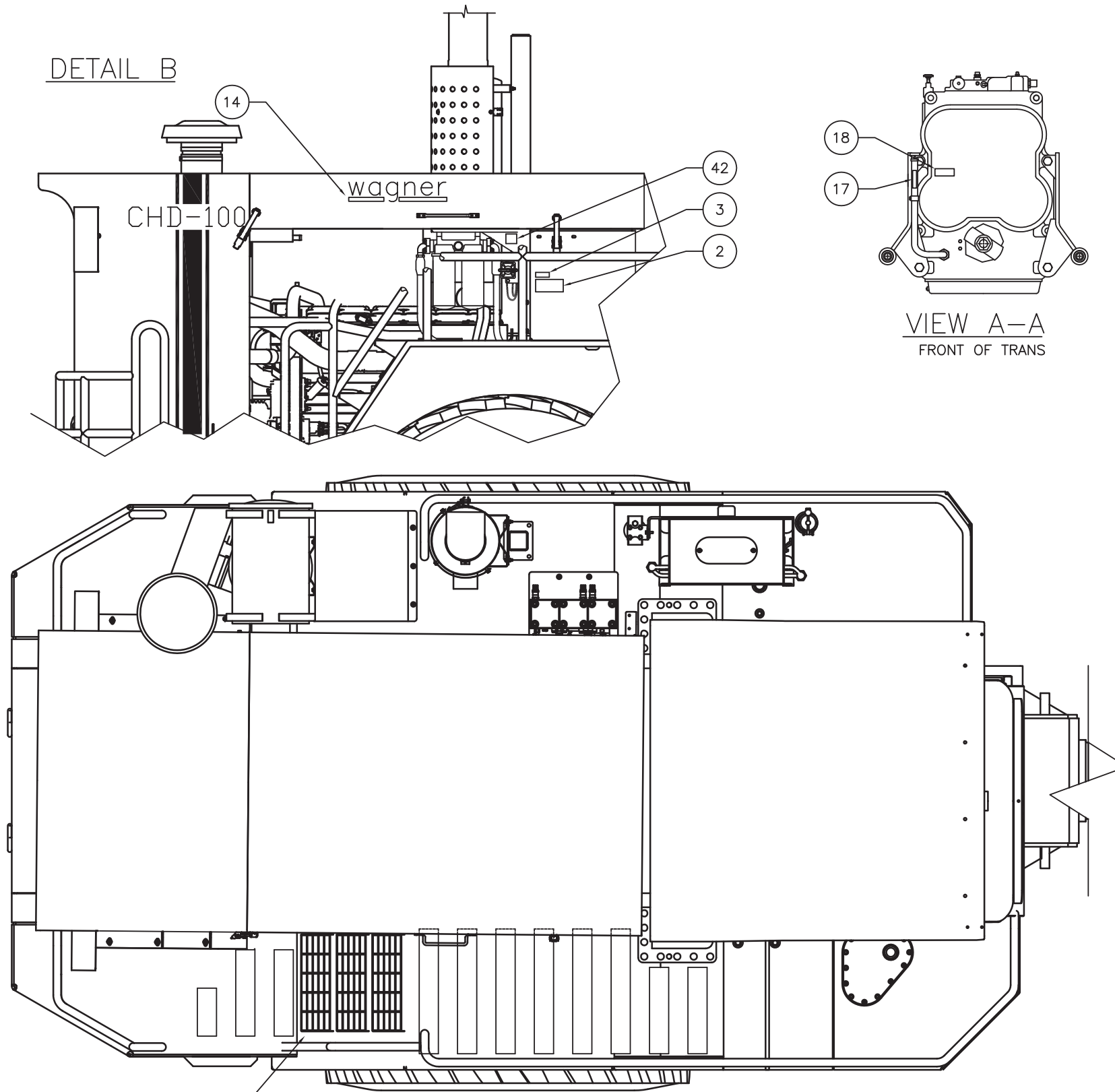
Decal Location & Final Assembly Parts

## Decal Location & Final Assembly Parts

Item	Part No.	Qty	Description	Item	Part No.	Qty	Description
	<b>584258</b>		<b>Decal Locat. &amp; Final Asmy Parts</b>				
1	243014	1	. Chart, Lube	38	214203	1	. Gauge
2	576856	1	. Decal	39	228040	1	. Coupler, Male
3	R10754	1	. Decal	40	206745	2	. Adapter
4	558098	1	. Plate	41	581855	1	. Decal
5	557202	1	. Decal	42	557494	1	. Decal
6	576139	2	. Decal	46	563641	1	. Decal
7	545430	4	. Decal	47	563357	2	. Decal
8	547453	2	. Decal	48	203536	3	. O-Ring
9	539197	1	. Decal	51	243458	2	. Element, Filter
10	539226	1	. Decal	52	243274	1	. Valve, Hi-Press
11	547451	2	. Decal	53	578763	1	. Kit, Shipping / Bucket Frame
12	529474	1	. Decal	54	240396	1	. Coupler, Fem
13	570517	2	. Decal	55	247429	2	. Element
14	558506	4	. Decal	56	238399	1	. Element, Filter
15	560276	3	. Decal	57	228211	1	. Element, Filter
16	557353	2	. Decal				
17	557118	1	. Decal				
18	528880	1	. Decal				
19	557201	1	. Decal				
20	579532	1	. Decal				
21	219382	1RL	. Tape, Non-Skid				
24	R10749	1	. Decal				
25	570048	1	. Decal				
26	228210	3	. Element, Filter				
27	582959	1	. Decal				
35	582842	1	. Wrench Assembly, Axle Nut				
36	556042	1	. Wrench, S/Nut				
37	558533	1	. Wrench, Fire Extinguisher				

NOT SHOWN:  
ITEM 53, LIFT FRAME, SHIPPING KIT





21 TOE GUARD ON FENDER SIDE OF STAIR TREADS;  
21" WIDE, 6 PLACES;