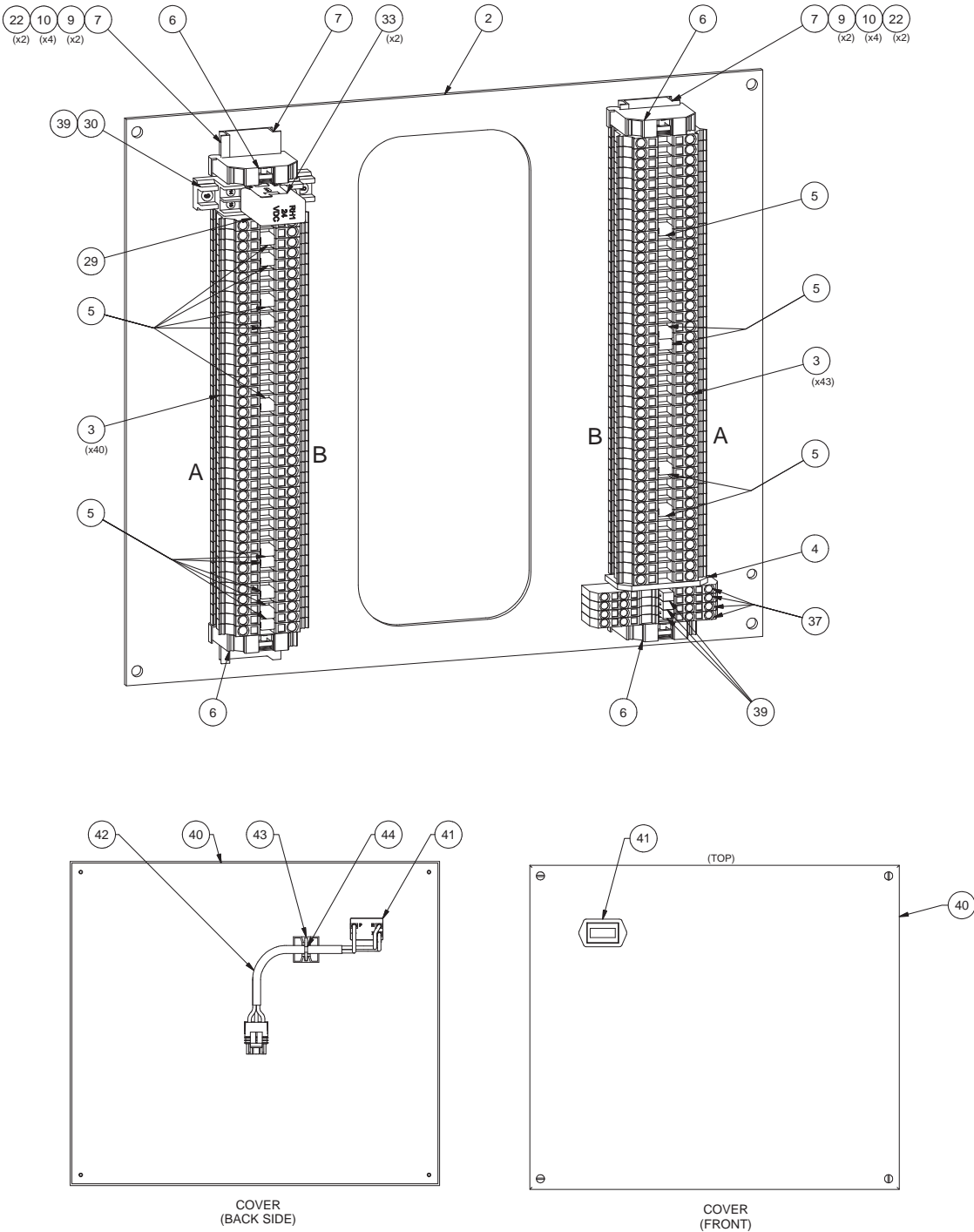


Junction Box Assembly



Junction Box Assembly

Item	Part No.	Qty	Description	Item	Part No.	Qty	Description
	584226		Junction Box Assembly				
1	578969	1	. Box	23	579851	1	. Wire Harness
2	578372	1	. Panel	24	241827	4	. Machine Screw
3	236924	83	. Terminal Block	25	220577	13	. Connector, Cord
4	236925	1	. End Plate	26	220579	2	. Connector, Cord
5	236926	15	. Jumper, Horizontal	28	238596	4	. Nut, Esna
6	241761	4	. End Stop	29	238891	1	. Relay
7	22628	28"	. Rail, Din	30	22632	1	. Relay Socket
8	R132007	4	. Machine Screw	33	235842	2	. Clamp, Holddown
9	223799	6	. Nut, Esna	34	579427	1	. Wire Harness
10	00103338	12	. Flat Washer	35	246932	1	. Fuse Holder
11	562702	1	. Terminal Block	36	237624	1	. Fuse
12	559513	1	. Rod	37	241757	4	. Terminal Block
13	221707W	2	. Hex Nut	39	241759	3	. Jumper
14	235708	2	. Jam Nut	40	585274	1	. Cover
15	201567	2	. Lockwasher	41	GAG0001133	1	. Hourmeter
16	R3221996	1	. Grommet	42	585275	1	. Wire Harness
17	220057	2	. Ring Nut	43	220949	1	. Mount, Adhesive Back
18	220582	13	. Ring Nut	44	227591	1	. Tie Strap
19	226049	2	. Connector, Cord	46	584244	1	. Wire Harness
20	226157	2	. Ring Nut	50	50854	1	. Decal
21	252170	40'	. Cable	53	222470	4	. Insert
22	243525	2	. Capscrew	54	255654	5	. Connector, Din

Junction Box Assembly

