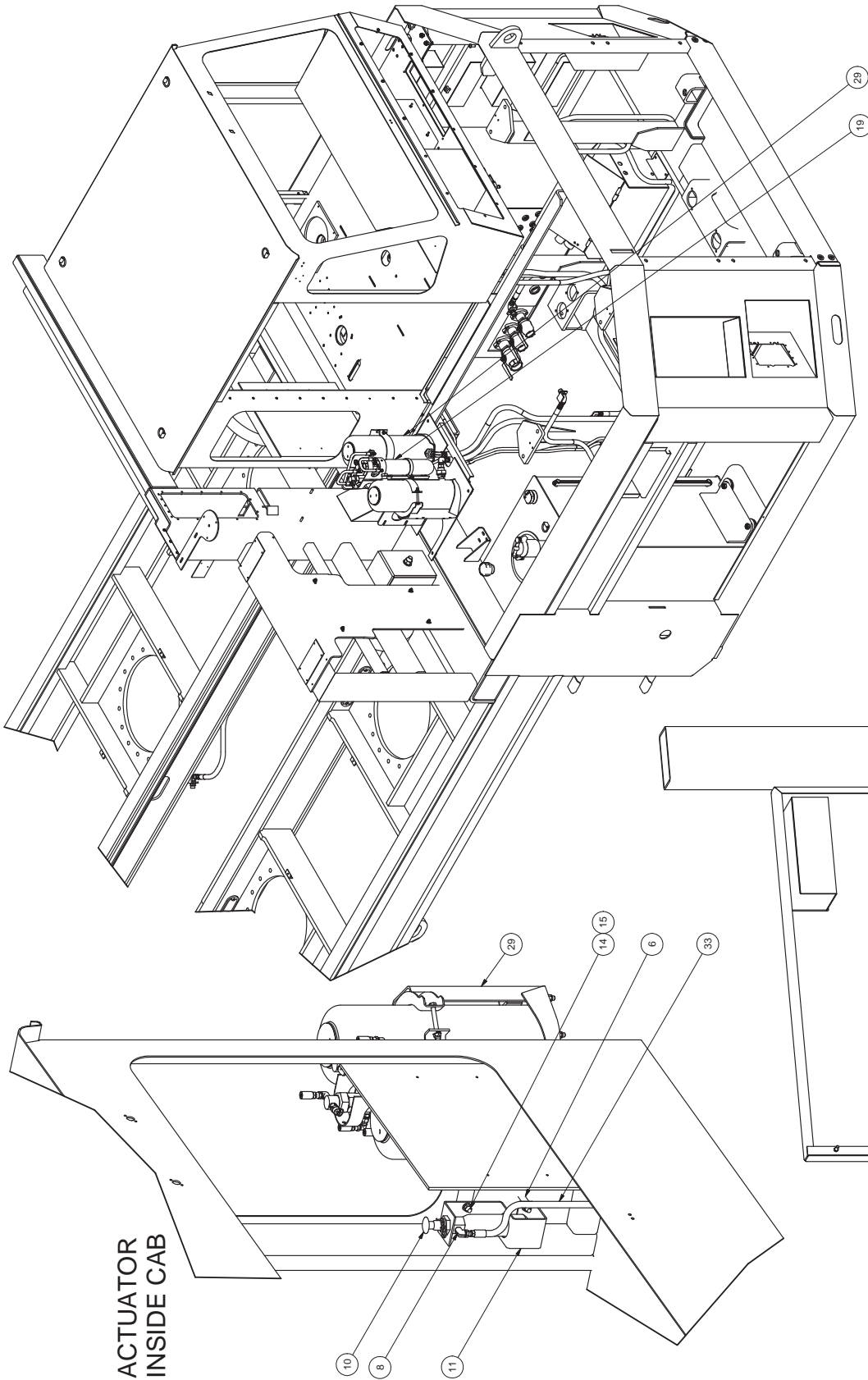

Fire Suppression System

Fire Suppression System

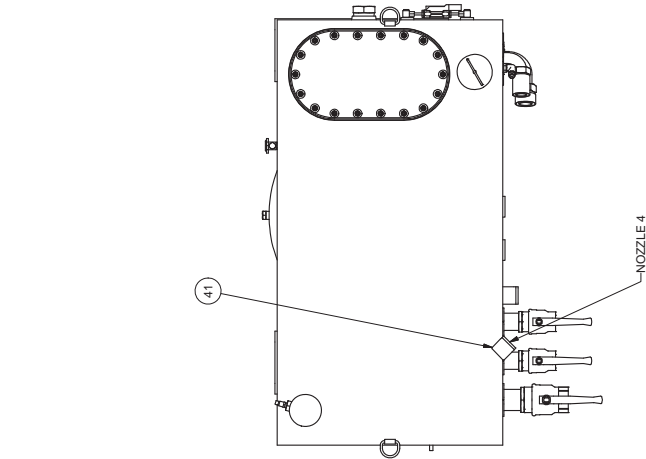
| Item | Part No. | Qty | Description | Item | Part No. | Qty | Description |
|------|---------------|-----|--------------------------------|------|-----------|-----|---------------------------|
| | 583631 | | Fire Suppression System | | | | |
| 1 | 209921 | 5 | . Fitting | | 221366 | 1 | . . Tank Mounting Bracket |
| 2 | 584691 | 1 | . Mounting Plate | | 223042 | 1 | . . Tank, Dry Chemical |
| 3 | 226271 | 2 | . Check Valve | 30 | 00103340 | 8 | . Flat Washer |
| 4 | 19368 | 2 | . Fitting | 31 | 209417 | 2 | . Fitting |
| 5 | 220596 | 1 | . Fitting | 32 | R13811190 | 4 | . Locknut |
| 6 | 584693 | 1 | . Bar, Spacer | 33 | 234112 | 1 | . Hose Assembly |
| 7 | 208264 | 1 | . Grommet | 34 | 209759 | 2 | . Fitting |
| 8 | 209394 | 7 | . Fitting | 35 | 243536 | 1 | . Hose Assembly |
| 9 | 225177 | 2 | . Cartridge, Nitrogen | 36 | 252051 | 2 | . Tee, Reducer |
| 10 | 225172 | 2 | . Actuator | 37 | 218857 | 1 | . Hose Assembly |
| | 244425 | 1 | . . Red Knob | 38 | 239522 | 1 | . Hose Assembly |
| 11 | 225173 | 1 | . Bracket, S-Shaped | 39 | 00119098 | 8 | . Elbow, Pipe |
| 12 | R13803044 | 1 | . Clip, Insul | 40 | 225250 | 16 | . Lockwasher |
| 13 | R2528352 | 2 | . Clip, Insul | 41 | 218690 | 8 | . Bracket |
| 14 | 231706 | 9 | . Stud | 42 | 225144 | 5 | . Nozzle |
| 15 | 00103341 | 31 | . Flat Washer | 43 | 216753 | 1 | . Hose Assembly |
| 16 | 223654 | 23 | . Locknut | 44 | 218703 | 1 | . Hose Assembly |
| 17 | 221477 | 2 | . Stud | 46 | 216782 | 1 | . Hose Assembly |
| 18 | 221499W | 8 | . Capscrew | 47 | 219449 | 1 | . Hose Assembly |
| 19 | 221961 | 2 | . Cartridge | 48 | 239521 | 1 | . Hose Assembly |
| 20 | 223041 | 2 | . Bracket, Mounting | 49 | 219152 | 1 | . Hose Assembly |
| 21 | 223326 | 2 | . Actuator, Pneumatic | 50 | 216490 | 1 | . Hose Assembly |
| 22 | R13811015 | 4 | . Capscrew | 51 | 217978 | 2 | . Hose Assembly |
| 23 | 216477 | 1 | . Hose Assembly | 52 | 216775 | 1 | . Hose Assembly |
| 24 | 218728 | 1 | . Relief Valve | 53 | 224072 | 1 | . Hose Assembly |
| 25 | 212718 | 2 | . Fitting | 54 | 209393 | 20 | . Fitting |
| 26 | 216478 | 2 | . Hose Assembly | 55 | 209800 | 4 | . Fitting |
| 27 | 209698 | 4 | . Clamp | 56 | 223168 | 4 | . Fitting |
| 28 | 12930006 | 2 | . Fitting | 57 | 225143 | 3 | . Nozzle, Fire Ext |
| 29 | 248751 | 2 | . Tank, Dry Chem With Bracket | 58 | 243343 | 1 | . Hose Assembly |



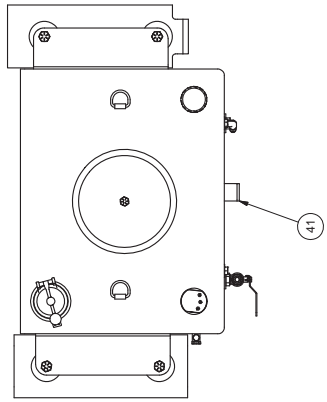
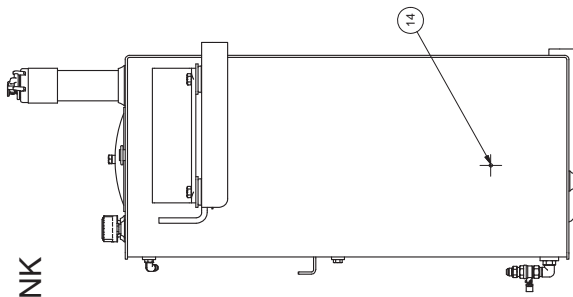
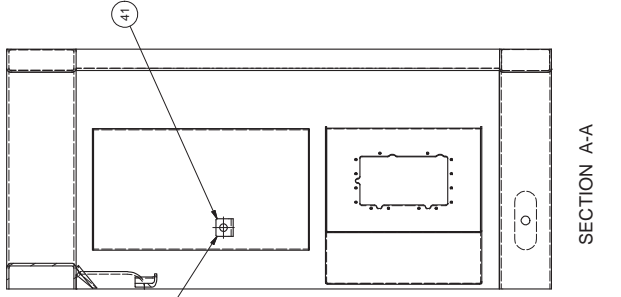
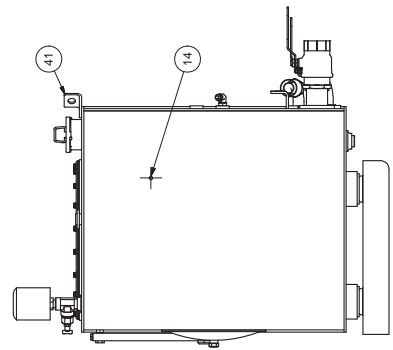
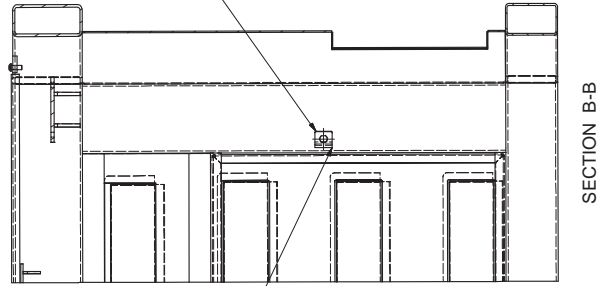
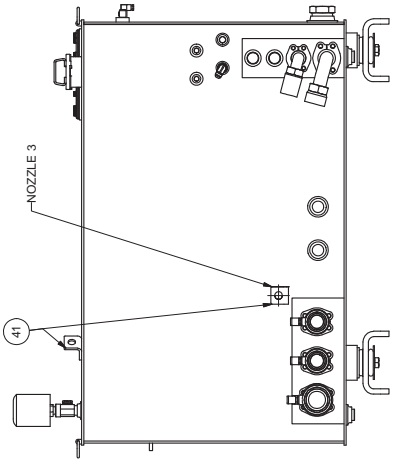
ACTUATOR
INSIDE CAB

ACTUATOR IN
LEFT DOOR

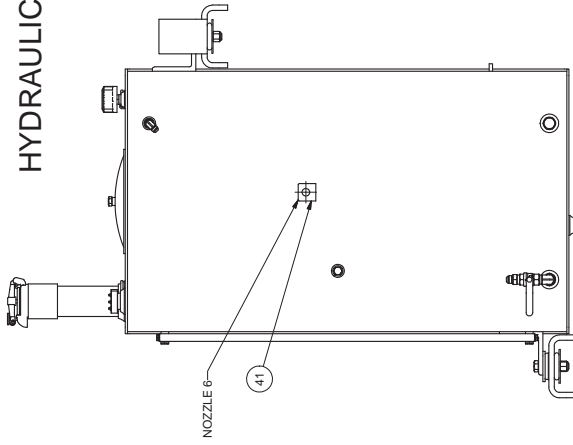
- NOZZLE LOCATION
1. AIM AT RIGHT SIDE OF ENGINE, NOZZLE 42.
 2. AIM AT TURBO, NOZZLE 57.
 3. AIM AT RIGHT SIDE OF CONVERTER, NOZZLE 42.
 4. AIM AT LEFT SIDE OF ENGINE, NOZZLE 42.
 5. AIM AT LEFT SIDE OF ENGINE, NOZZLE 42.
 6. AIM AT LEFT SIDE OF CONVERTER, NOZZLE 57.
 7. AIM AT REAR OF CONVERTER, NOZZLE 42.
 8. AIM AT TRANSMISSION, NOZZLE 42.

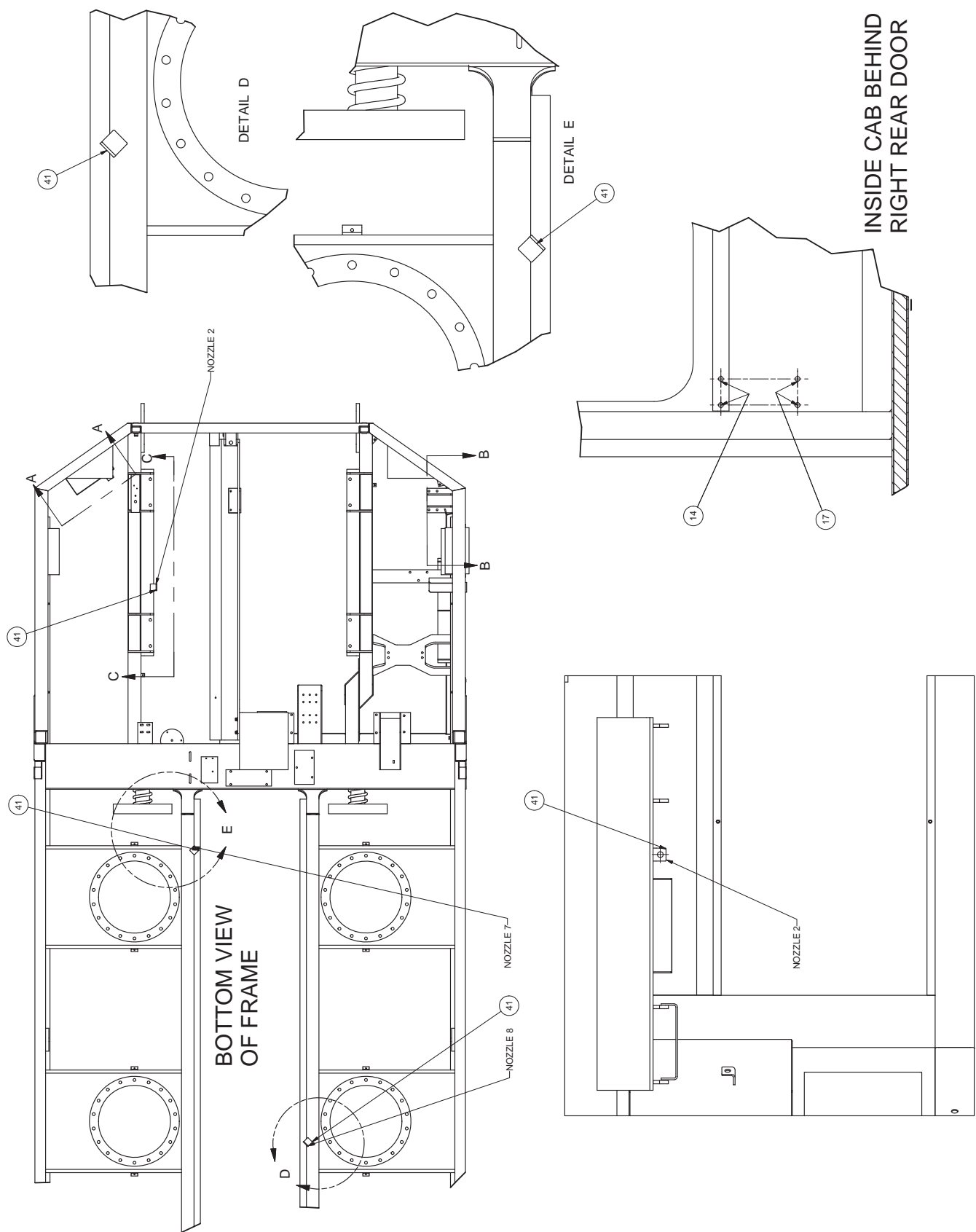


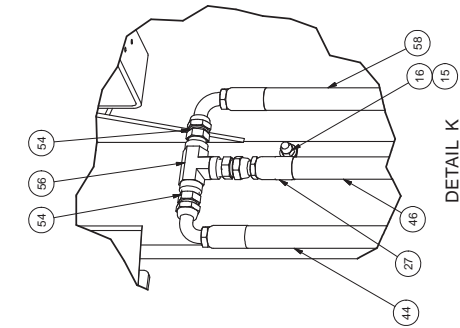
FUEL TANK



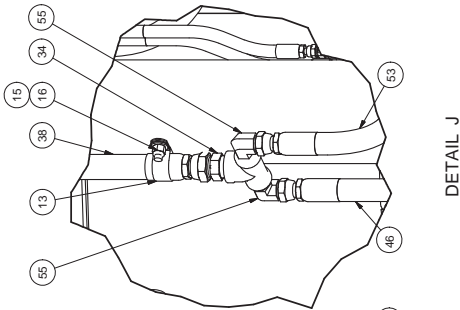
HYDRAULIC TANK



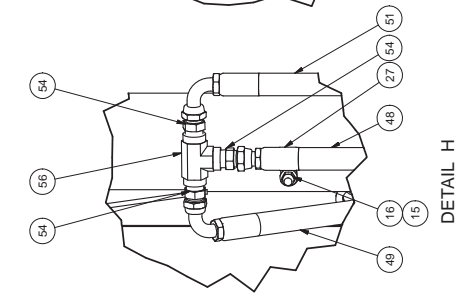




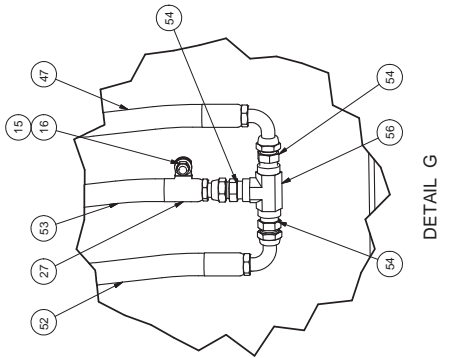
DETAIL K



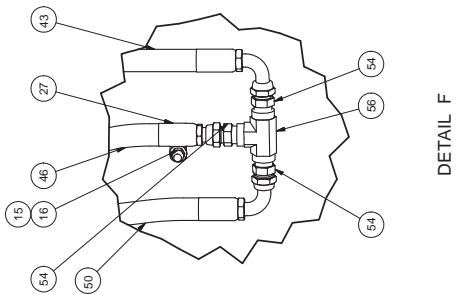
DETAIL J



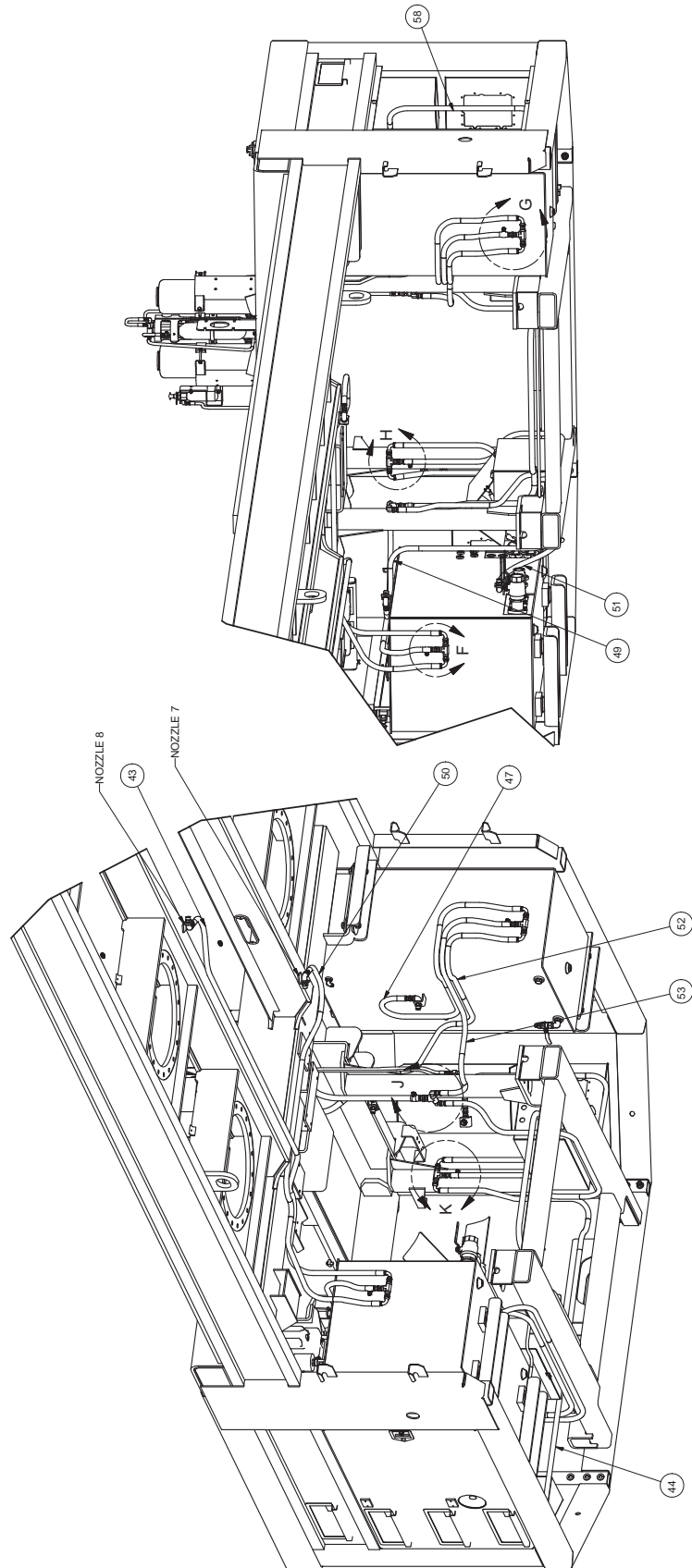
DETAIL H

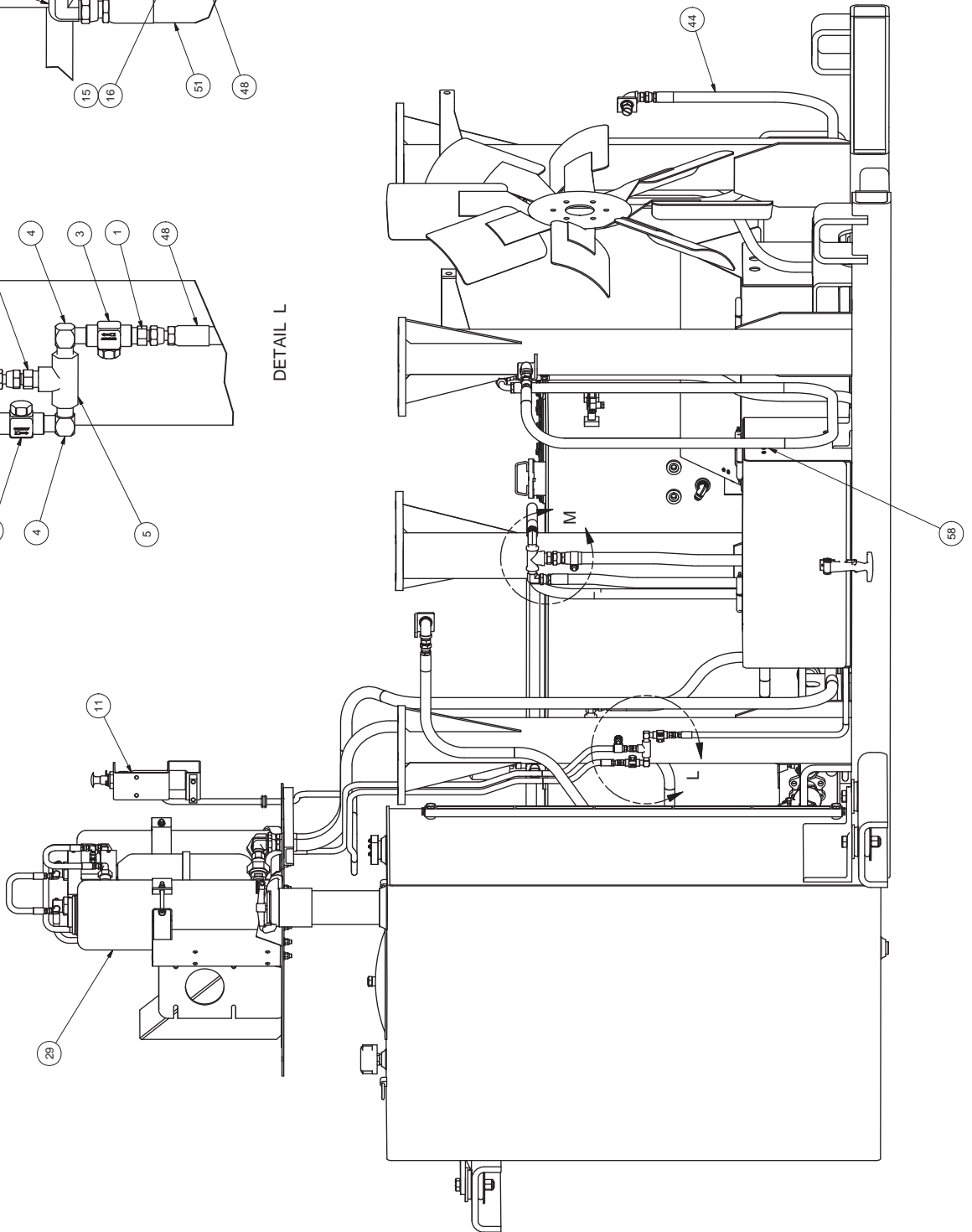
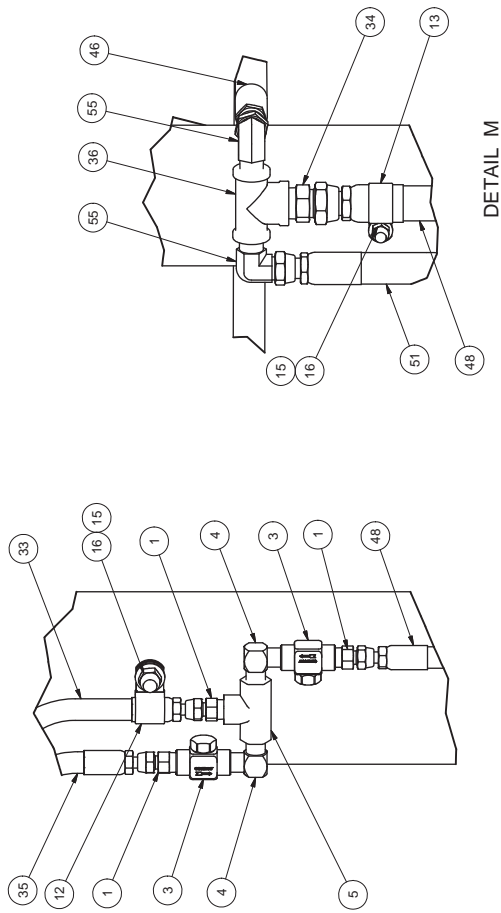


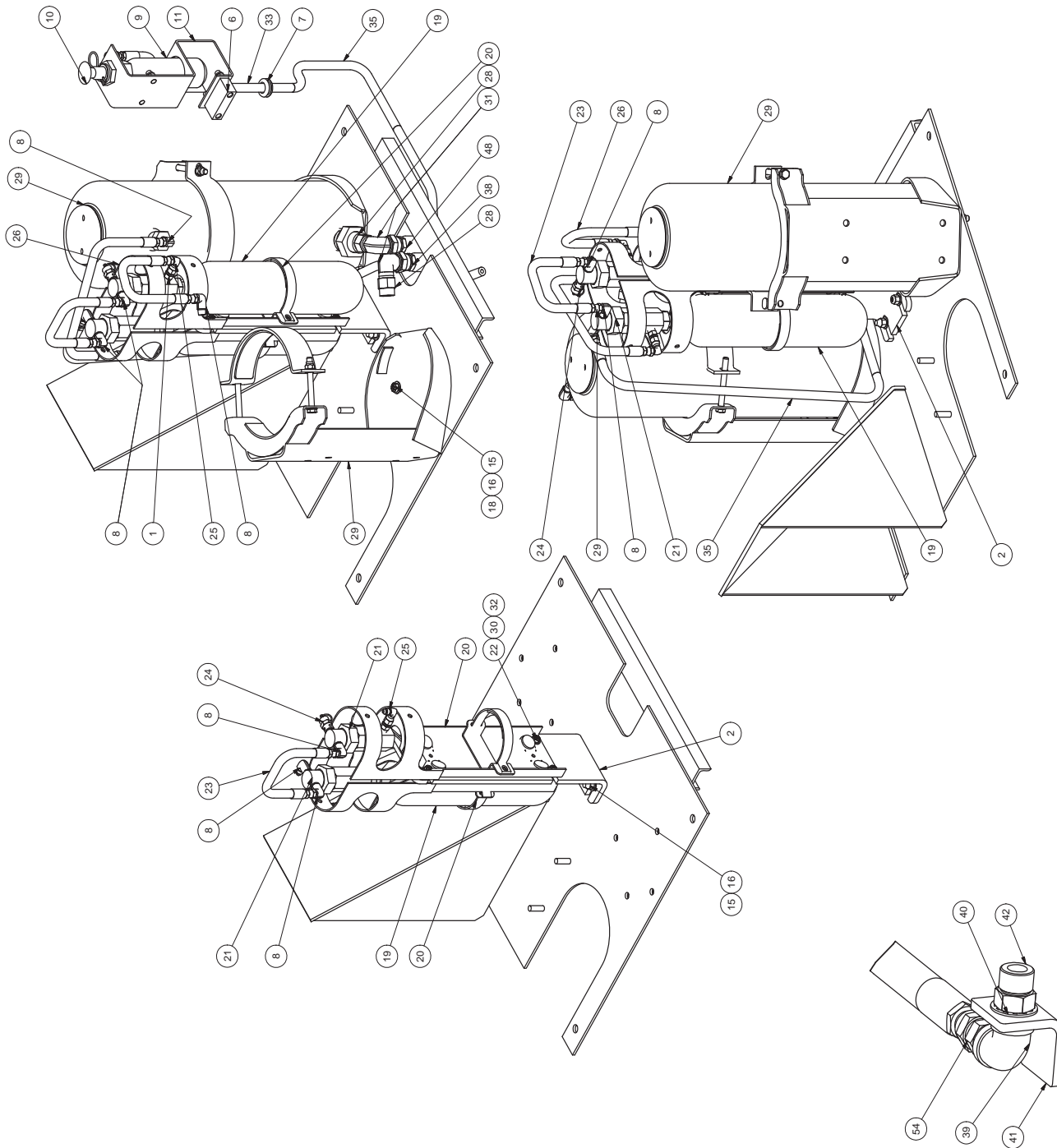
DETAIL G



DETAIL F







NOZZLE INST
TYP