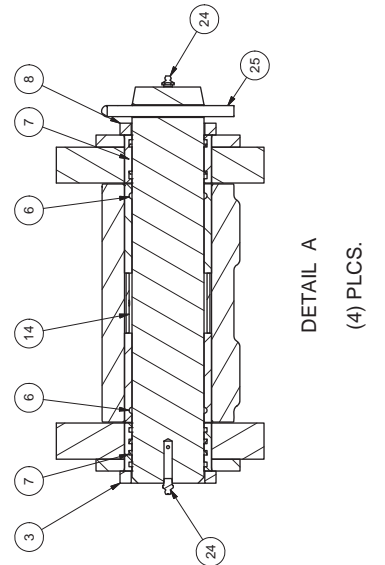
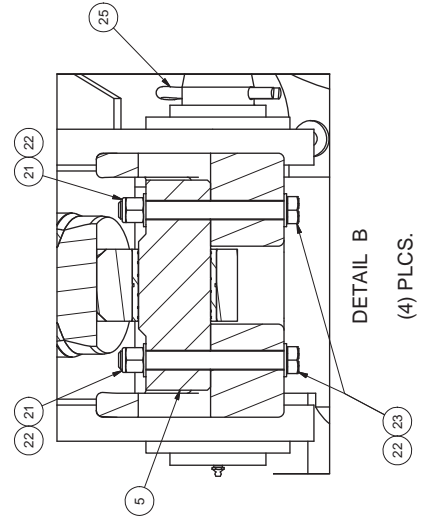
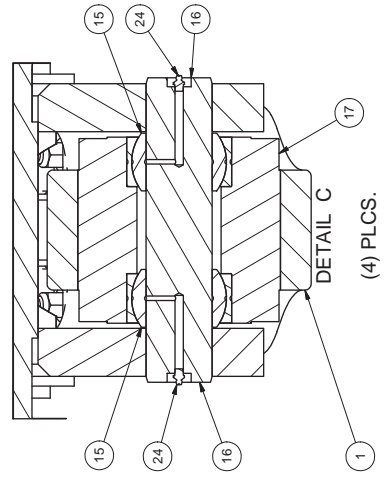
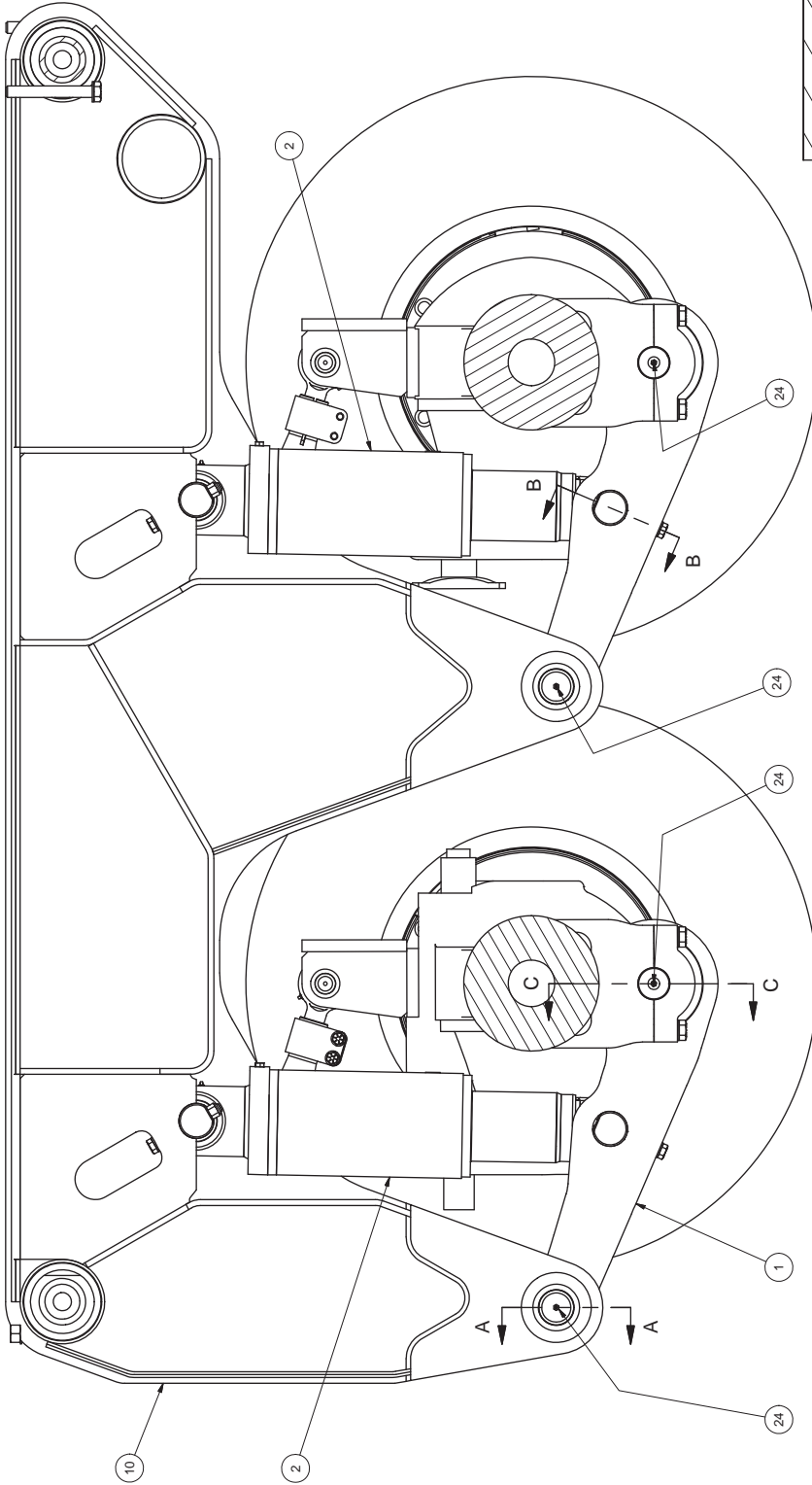
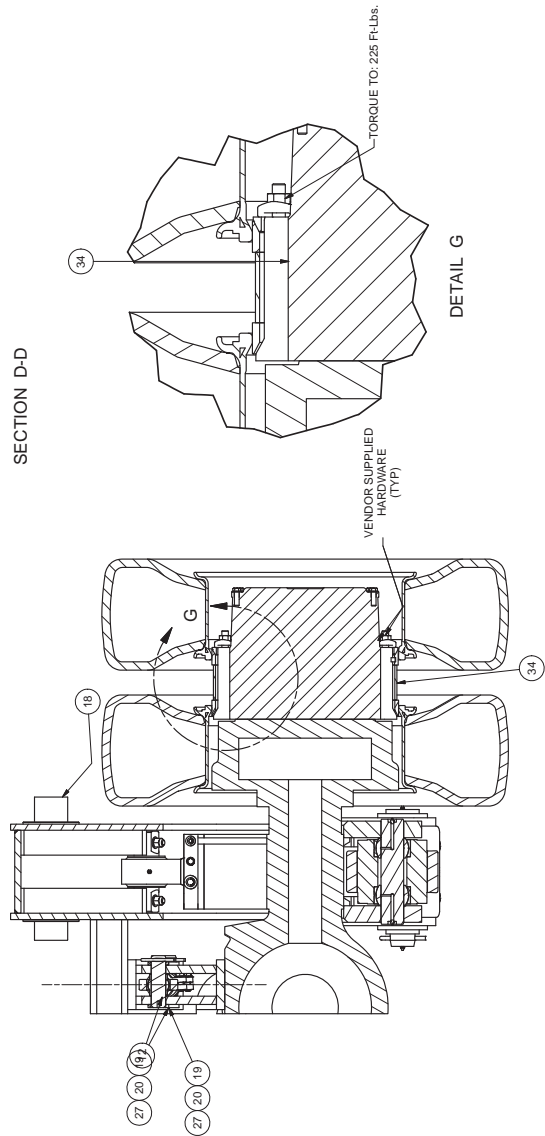
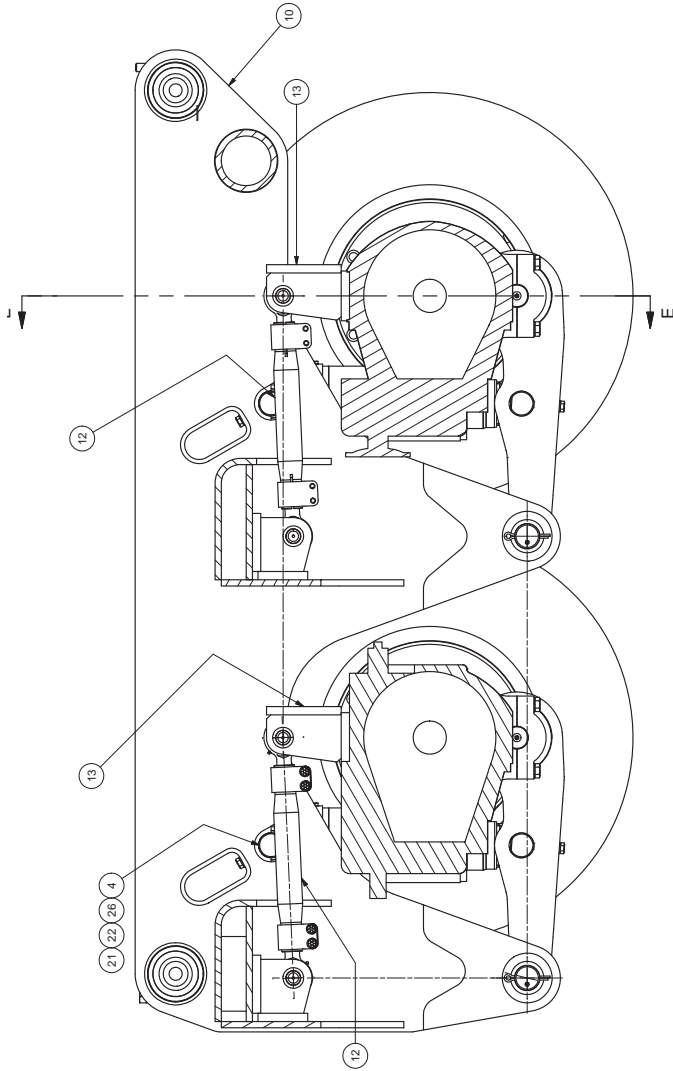

Drive Suspension Group

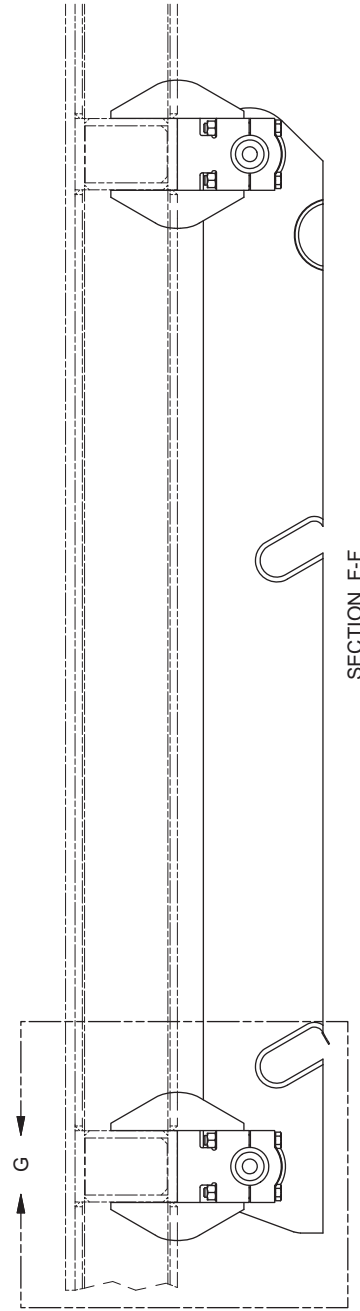
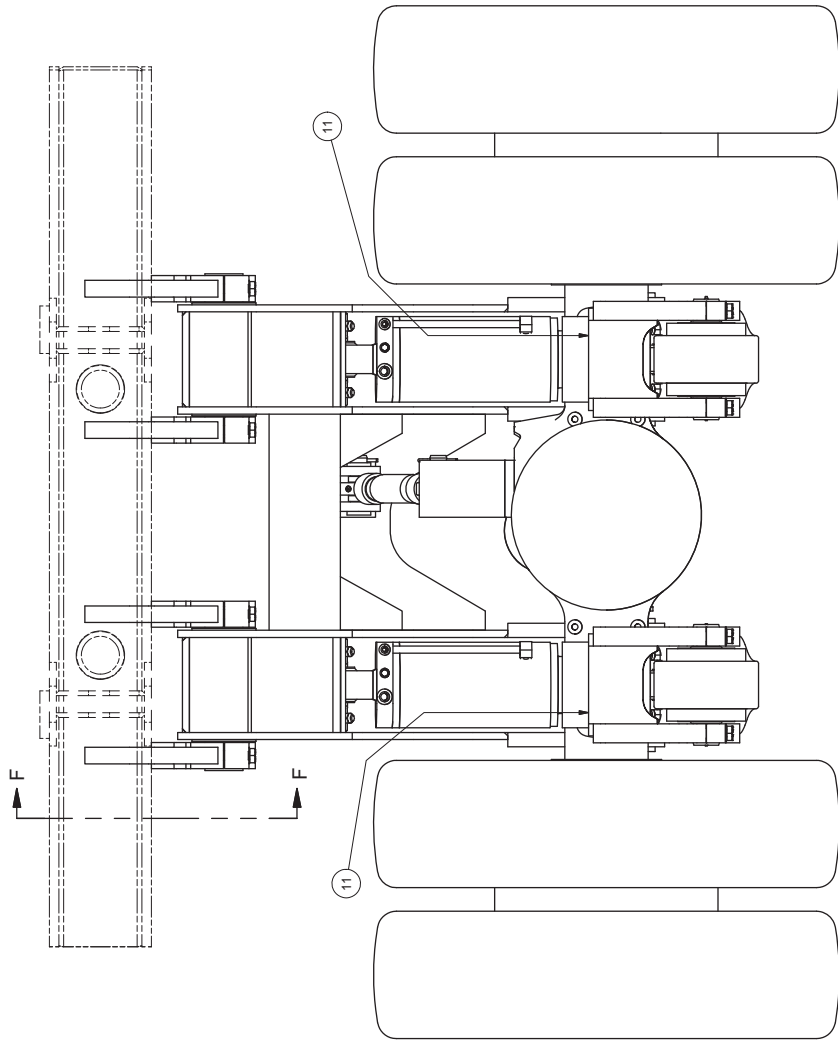
Drive Suspension Group

Item	Part No.	Qty	Description	Item	Part No.	Qty	Description
	583627		Drive Susp Group				
1	583964	4	. Drive Arm	19	584449	4	. Pin
2	* 584002	4	. Cylinder Assembly	20	584450	4	. Plate, Collar
3	584165	4	. Pin	21	R13811196	16	. Locknut
4	584167	4	. Pin	22	223187	32	. Washer
5	584168	4	. Pin	23	R13811160	8	. Capscrew
6	578311	8	. Bush	24	00191758	20	. Fitting
7	578312	8	. Bush	25	220275	4	. Cotter Pin
8	508739	4	. Ring, Stop	26	R13811159	8	. Capscrew
9	585161	8	. Wheel & Tire, Drive	27	232951	4	. Cotter Pin
10	584034	1	. Drive Frame	28	584566	8	. Plate, Hanger
11	584441	4	. Bracket	29	584567	16	. Plate, Gusset
12	* 584448	2	. Rod Assembly	30	221286	32	. Washer
13	584451	2	. Anchor	31	225778	16	. Capscrew
14	584432	4	. Spacer	32	221720W	16	. Nut
15	219060	8	. Bearing, Sealed Self Aligned	34	585057	4	. Spacer, Duals
16	584446	4	. Pin				
17	584447	4	. Bushing				
18	584819	4	. Bushing				

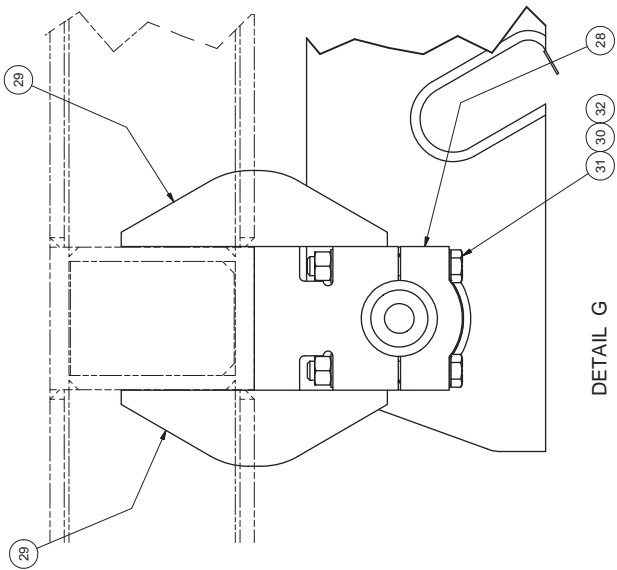
* See Separate Coverage







SECTION F-F



DETAIL G

