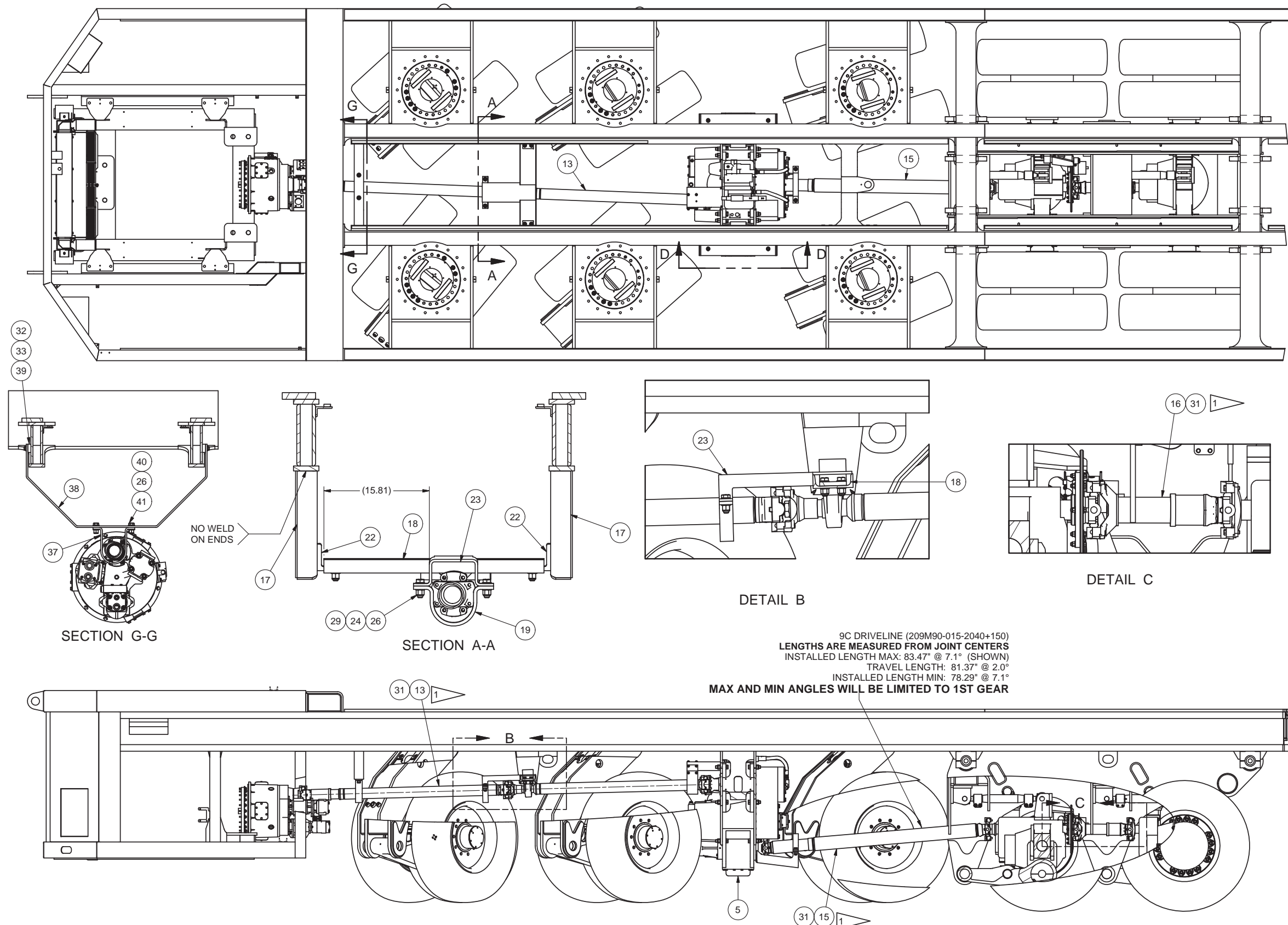

Drivetrain Layout

Drivetrain Layout

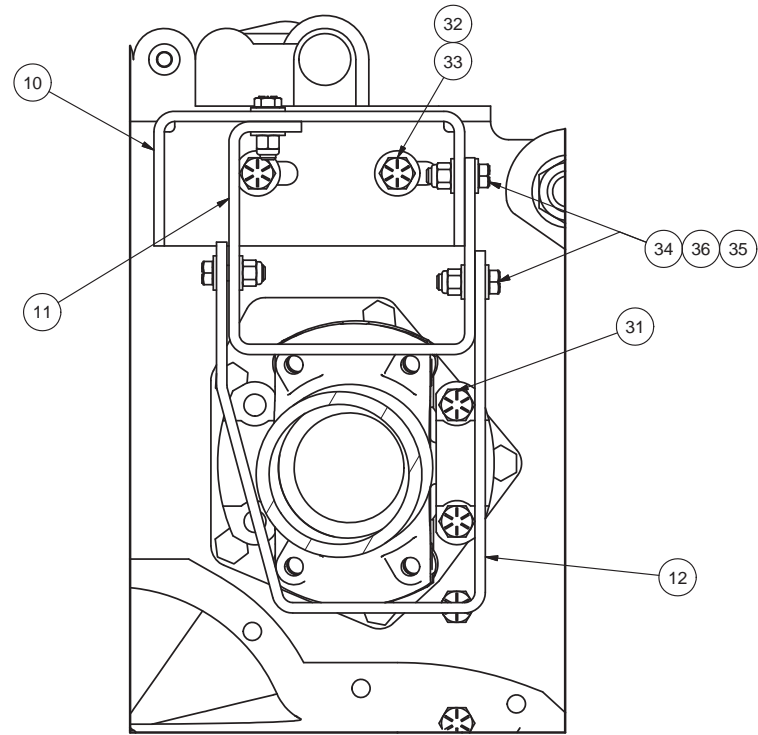
Item	Part No.	Qty	Description	Item	Part No.	Qty	Description
	583621		Drivetrain Layout				
1	* 584956	1	. Axle, Front	23	581839	1	. Bracket
2	* 254230	1	. Axle, Tandem-Rear	24	Y17C-1236	8	. Capscrew
3	* 584923	1	. Brake Installation, Parking	25	Y17C-1272	4	. Capscrew
5	* 247471	1	. Transmission	26	R13811196	28	. Locknut
6	584747	2	. Bracket, Transmission	27	Y17C-1664	12	. Capscrew
7	584756	4	. Mounting, Transission	28	R13803587	12	. Locknut
8	234497	4	. Vibration Dampener	29	R13811457	52	. Flat Washer
9	578361	8	. Flat Washer	30	R13806990	56	. Flat Washer
10	557039	1	. Bracket	31	185813W	24	. Capscrew
11	556580	1	. Plate Guard	32	221771W	2	. Washer
12	577194	1	. Plate Guard	33	221560W	2	. Capscrew
13	* 255301	1	. Driveline Assembly	34	221499W	8	. Capscrew
14	239408	2QT	. Additive	35	237567	8	. Nut, Esna
15	255302	1	. Driveline Assembly	36	Y27E-06	16	. Washer
16	* 248963	1	. Driveline Assembly	37	520028	1	. Guard
17	584914	2	. Support	38	585062	1	. Bracket
18	584917	1	. Channel	39	585063	2	. Pad, Tap
19	563885	1	. Shield	40	Y27E-12	4	. Washer
20	584918	1	. Plate Guard	41	Y17C-1232	2	. Capscrew
21	584919	1	. Bar, Shield				
22	581837	2	. Angle				

* See Separate Coverage

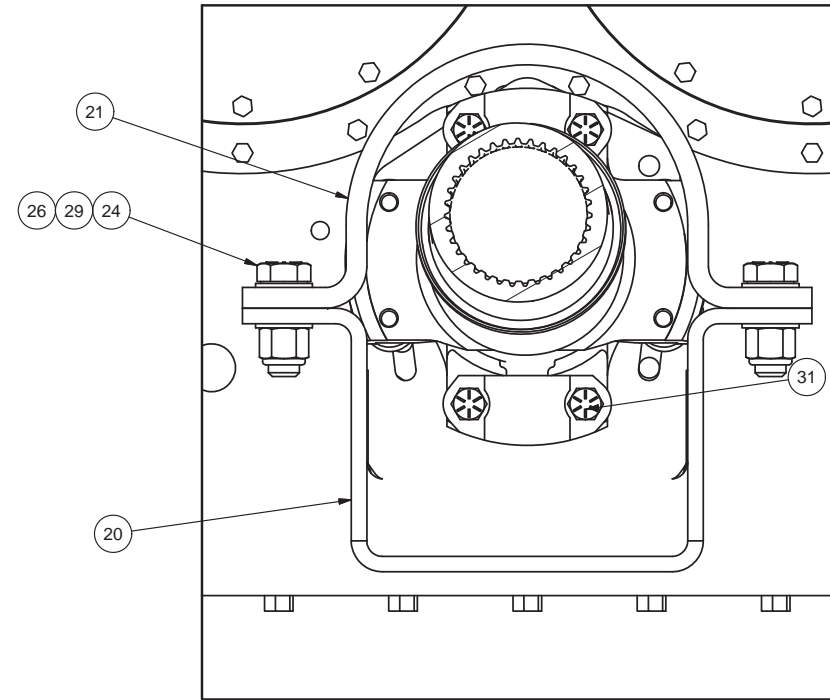
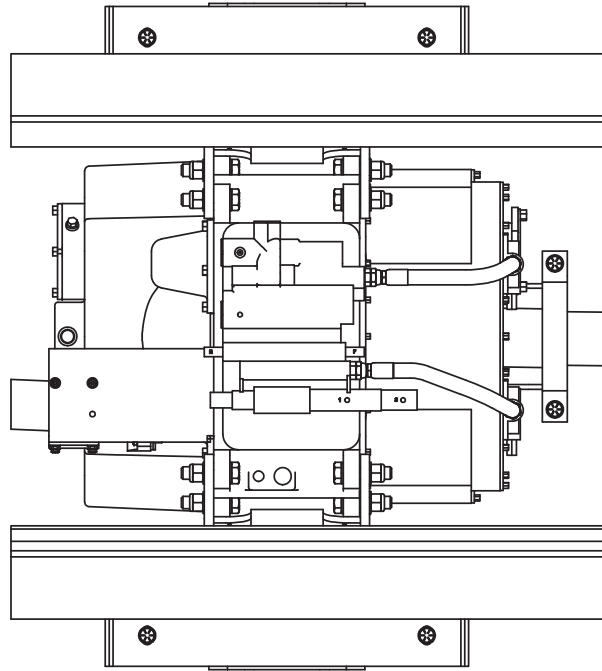


9C DRIVELINE (209M90-015-2040+150)
LENGTHS ARE MEASURED FROM JOINT CENTERS
 INSTALLED LENGTH MAX: 83.47" @ 7.1° (SHOWN)
 TRAVEL LENGTH: 81.37" @ 2.0°
 INSTALLED LENGTH MIN: 78.29" @ 7.1°
MAX AND MIN ANGLES WILL BE LIMITED TO 1ST GEAR

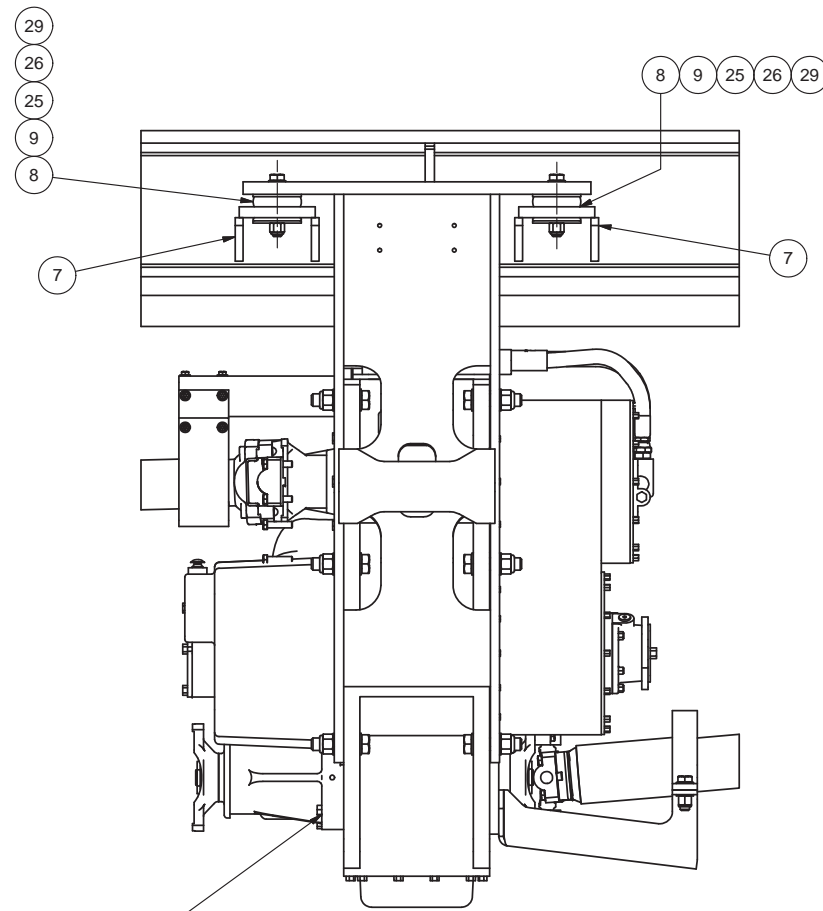
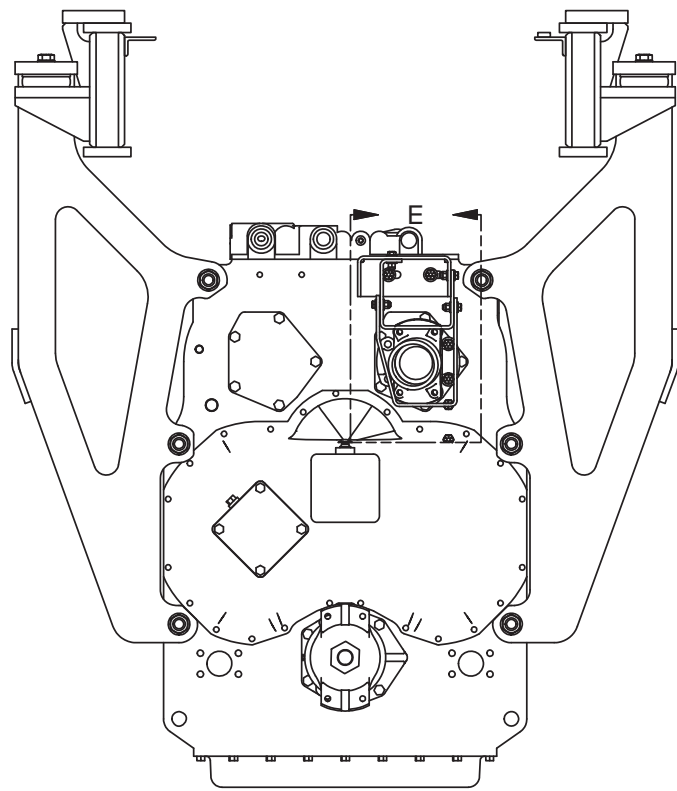
1 TORQUE 1/2"-20 UNF DRIVELINE HARDWARE TO 95-105 FT-LBS



DETAIL E



DETAIL F



SECTION D-D

