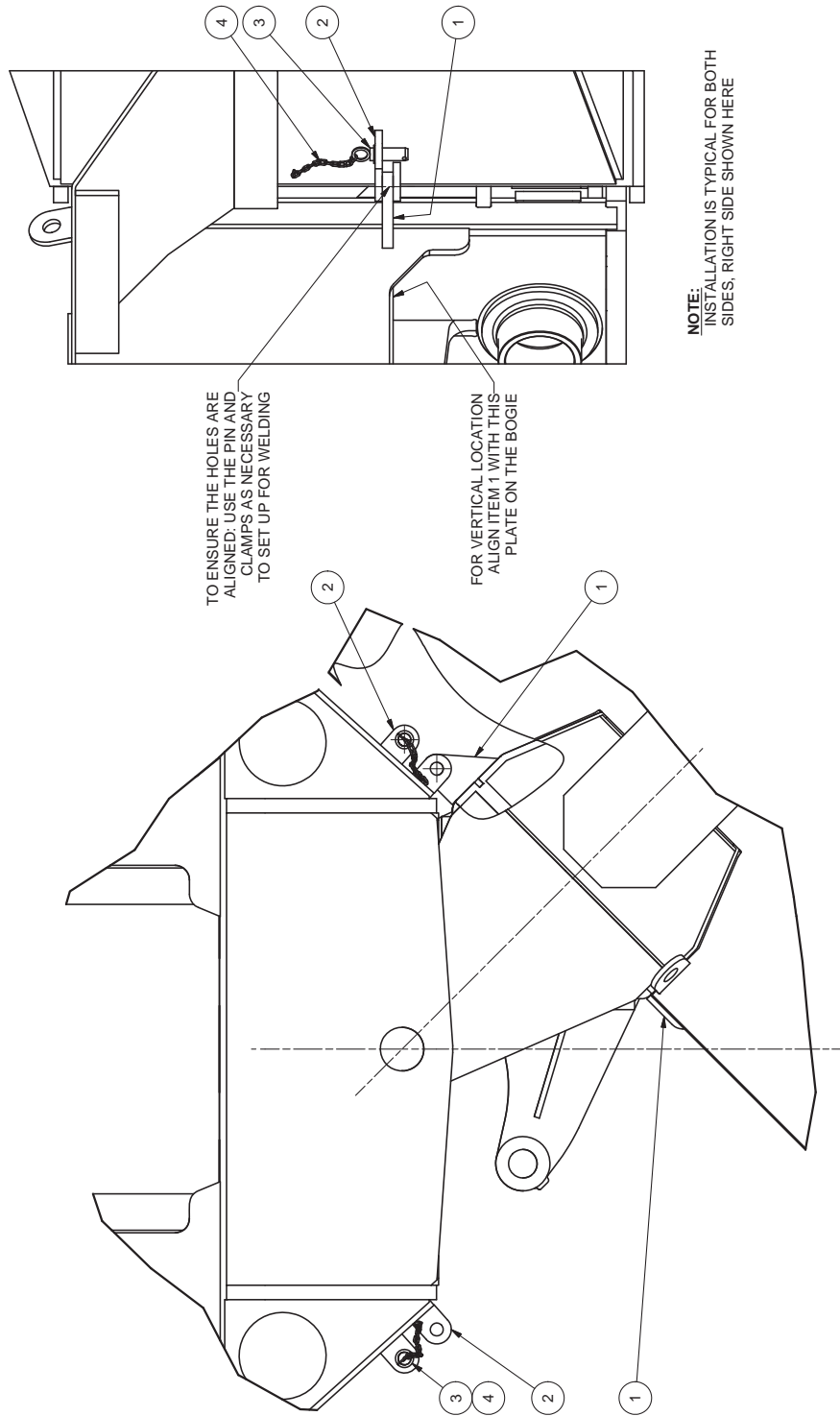


Pin Installation - Lock



Item	Part No.	Qty	Description	Item	Part No.	Qty	Description
	583140		Pin Installation, Lock				
1	583139	2	. Plate, Top	3	538859	2	. Pin Assembly
2	549462	6	. Ear	4	220633	2'	. Chain