

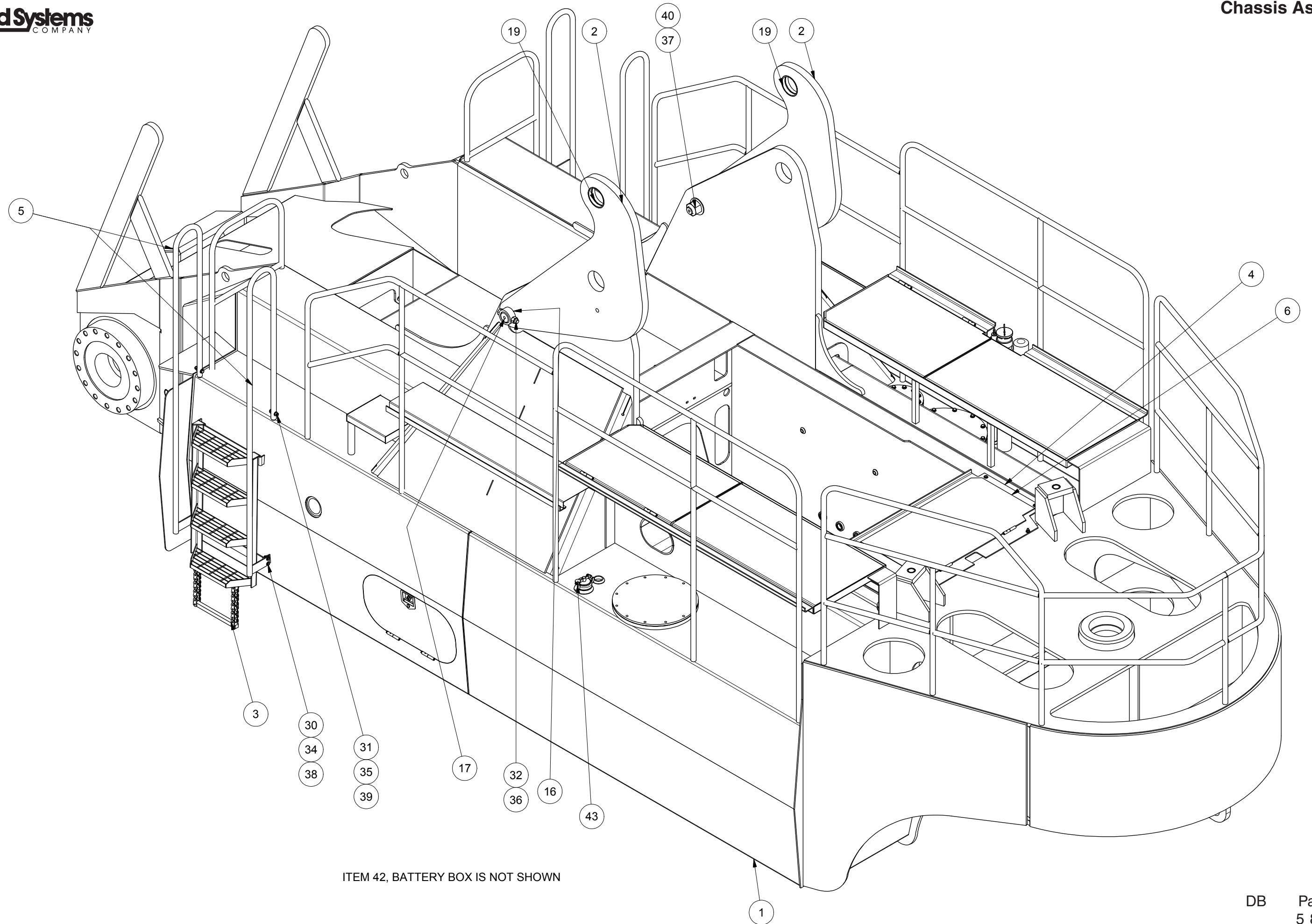
---

Chassis Assembly

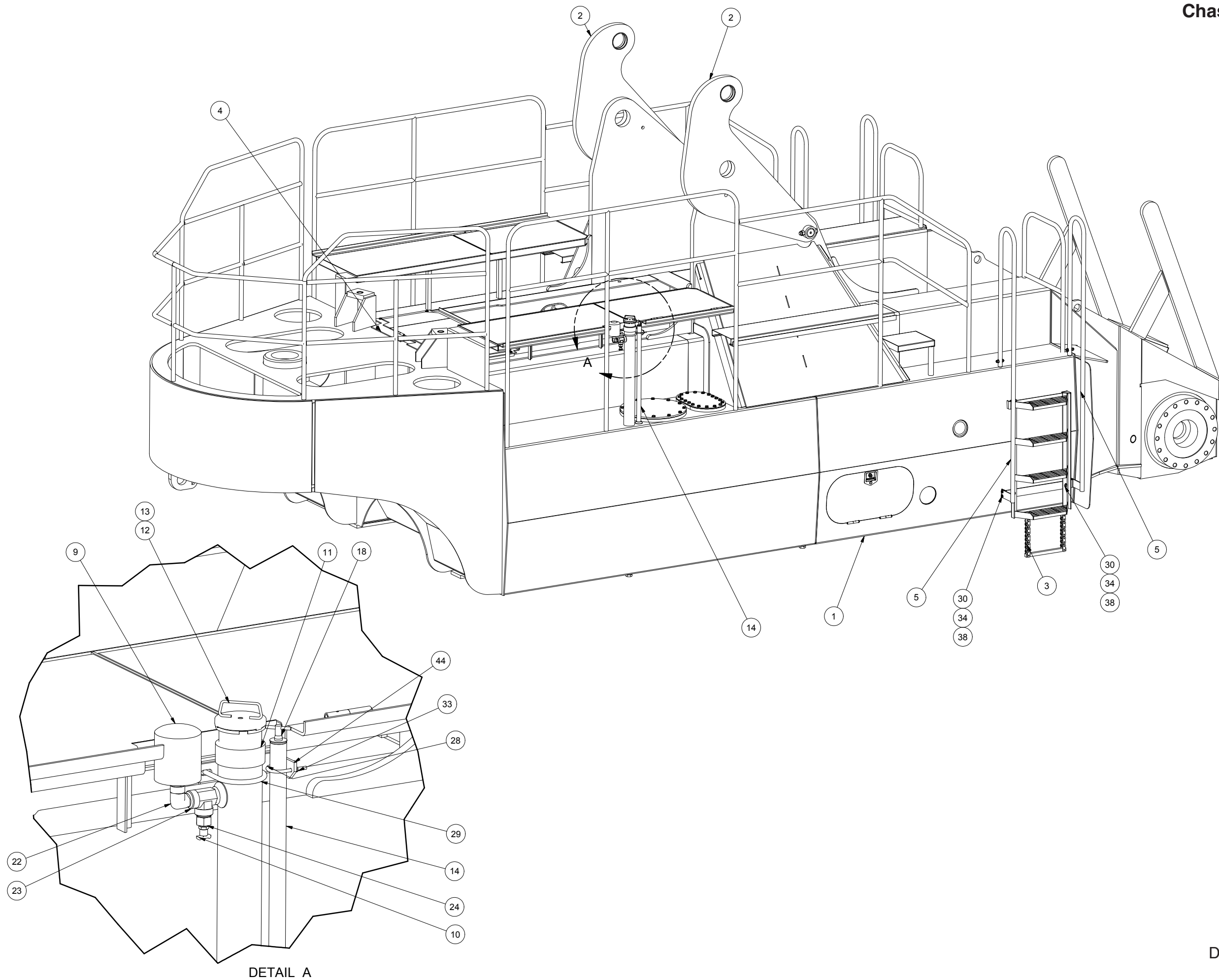
## Chassis Assembly

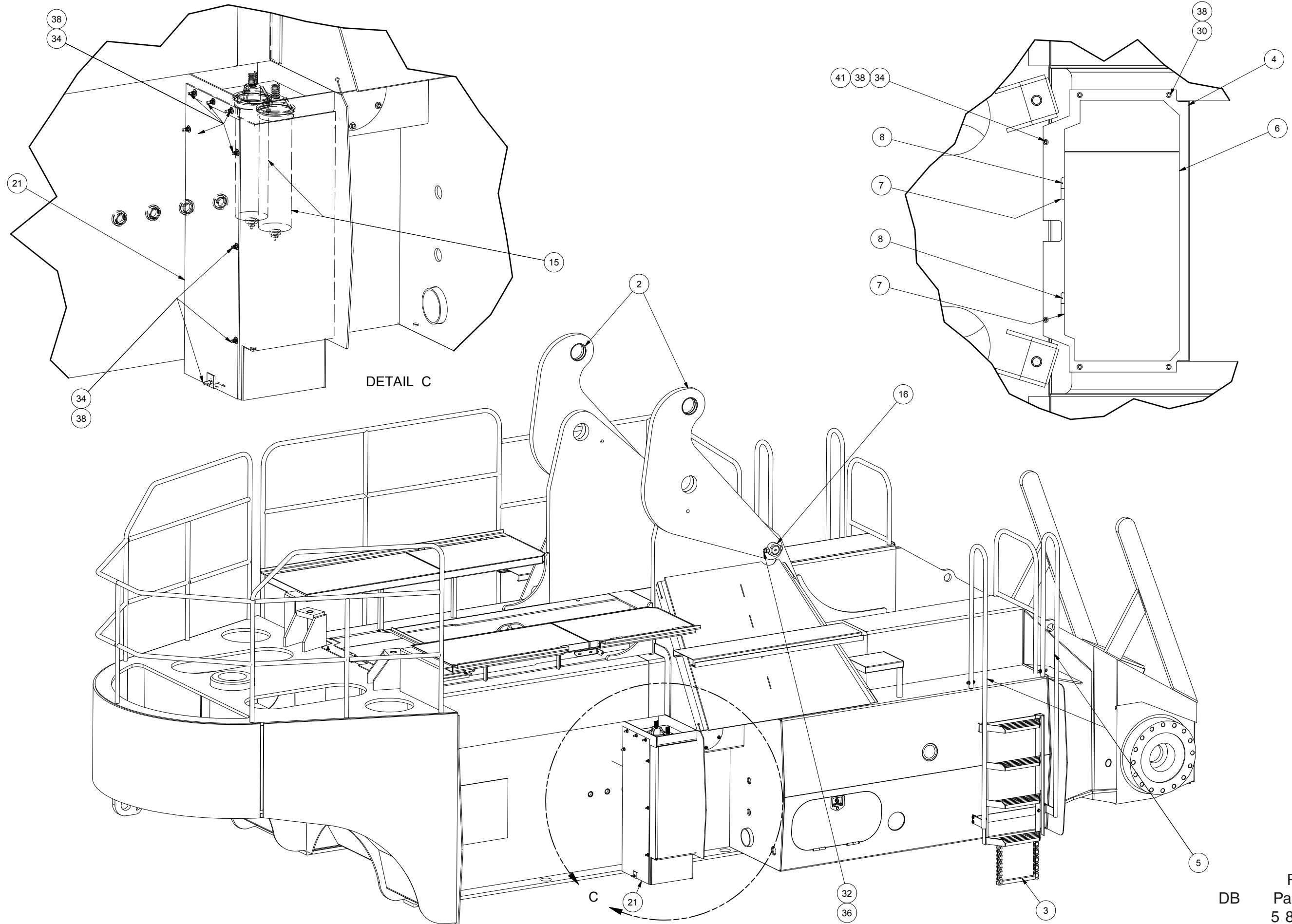
Item	Part No.	Qty	Description	Item	Part No.	Qty	Description
	<b>583109</b>		<b>Chassis Assembly</b>				
1	583117	1	. Chassis Weldment	18	562966	1	. Dipstick Weldment
1.1	563775	1	.. Gasket	19	565059	2	. Bushing
1.2	R13806980	8	.. Flat Washer	21	566785	1	. Plate
1.3	554150	1	.. Plate, Cover	22	209181	1	. Fitting
1.4	223654	8	.. Locknut	23	209159	1	. Fitting
1.5	554520	1	.. Cover Weldment, Baffle	24	209505	1	. Fitting
1.6	562468	1	.. Gasket	25	238659	7	. Plate, Magnetic
1.7	562469	1	.. Cover	26	13987	1	. Fitting
1.8	201618	30	.. Capscrew	27	209916	2	. Fitting
1.9	201569	30	.. Flat Washer	28	504541	1	. U-Bolt
1.10	555064	2	.. Gasket	29	234307	1	. U-Bolt
1.11	554445	2	.. Plate, Manhole Cover	30	221499W	16	. Capscrew
2	563265	2	. Plate	31	221574W	4	. Capscrew
3	563186	2	. Step Assembly	32	R13801901	2	. Capscrew
4	581215	1	. Grate Weldment, Rear	33	R13811189	2	. Locknut
5	562841	4	. Handrail Weldment	34	R13811191	22	. Locknut
6	581221	1	. Grate	35	R13811193	4	. Locknut
7	523959	2	. Hinge Tube Weldment	36	R13803587	2	. Locknut
8	500260	2	. Tube	37	219930	2	. Nut, Esna
9	224744	1	. Filler Breather	38	223427	38	. Flat Washer
	230463	1	.. Element	39	223634	8	. Flat Washer
10	211398	1	. Draincock	40	231359	2	. Flat Washer
11	251714	1	. Filler Neck	41	221314	2	. Stud, Weld
12	R14340	1	. Strainer	42	* 580721	1	. Battery Box Installation
13	R1917921	1	. Cap	43	216083	1	. Fill, Fuel Tank
14	571646	1	. Tube, DipStick	44	582918	1	. Mounting Plate
15	* 243457	2	. Filter, Insert	45	563602	2	. Plate, Cover
16	522957	2	. Lock Collar	46	162572W	4	. Capscrew
17	563700	2	. Pin				

\* See Separate Coverage

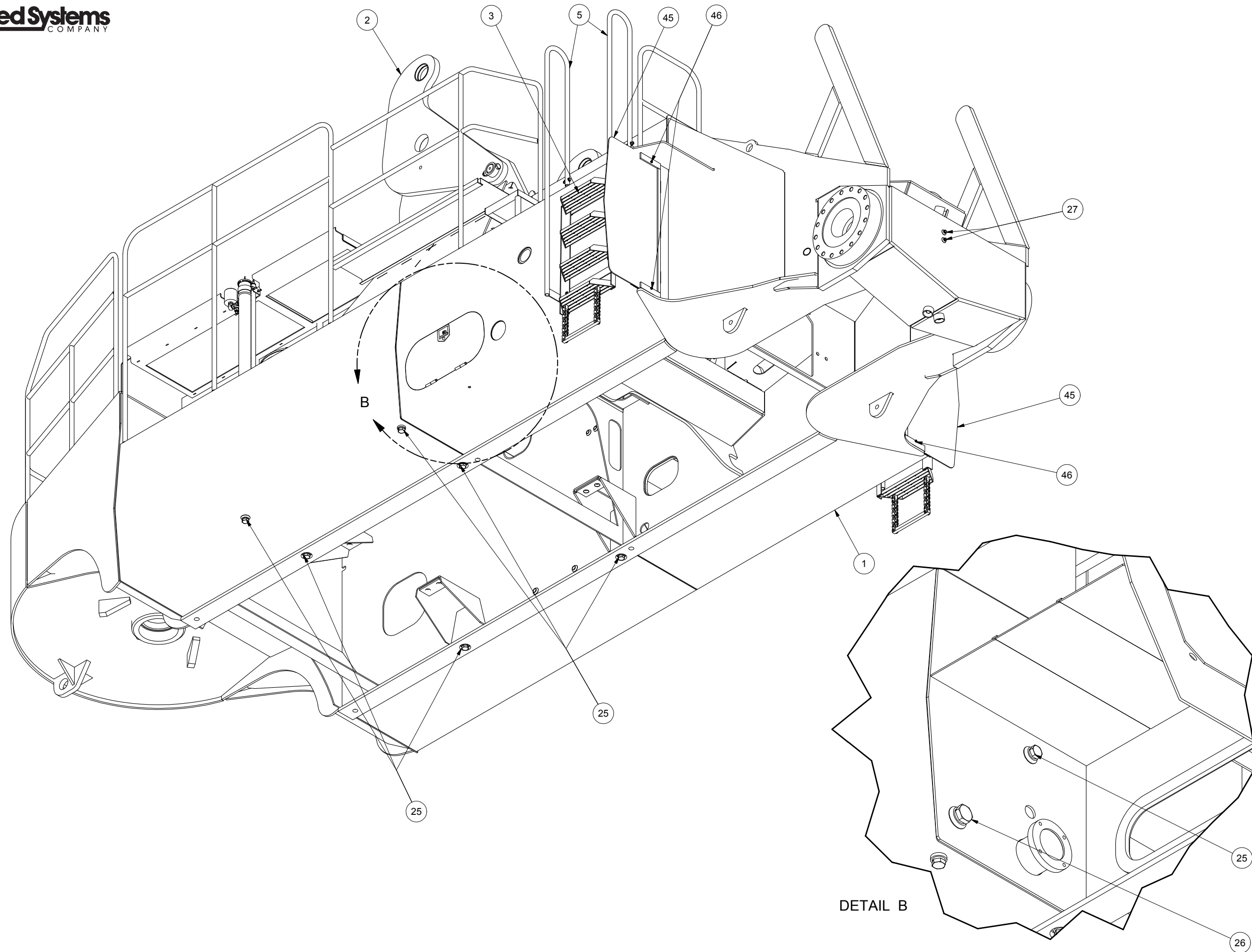


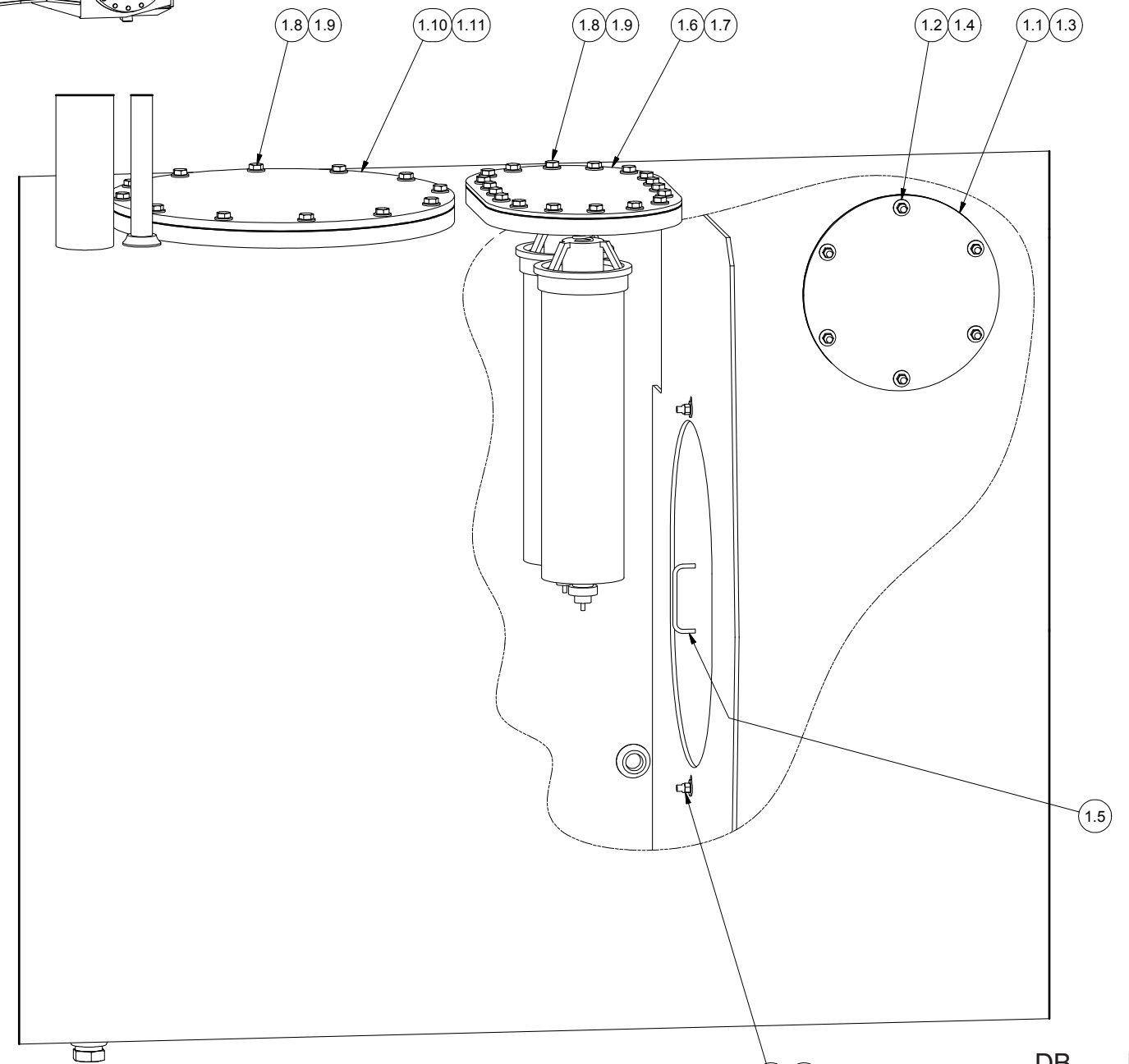
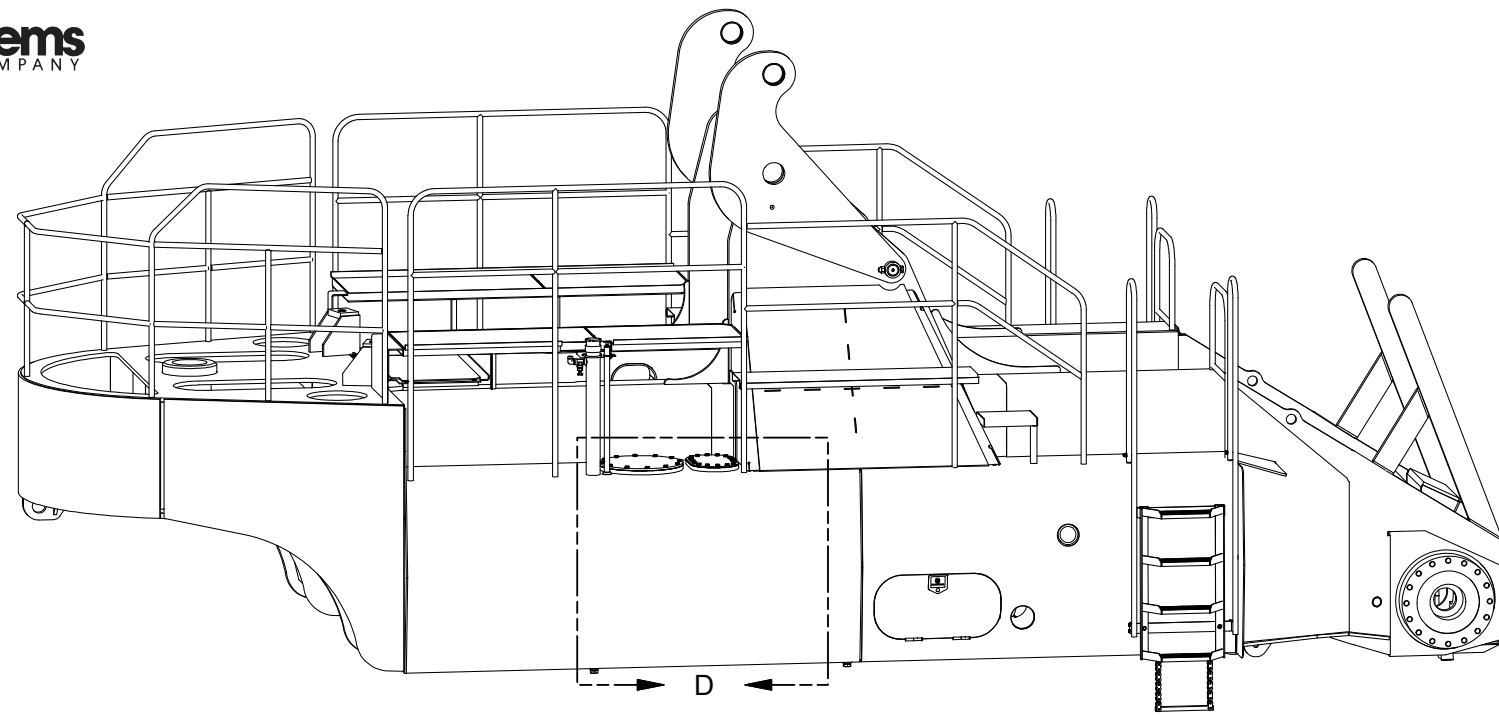
ITEM 42, BATTERY BOX IS NOT SHOWN











DETAIL D

1.2 1.4

DB