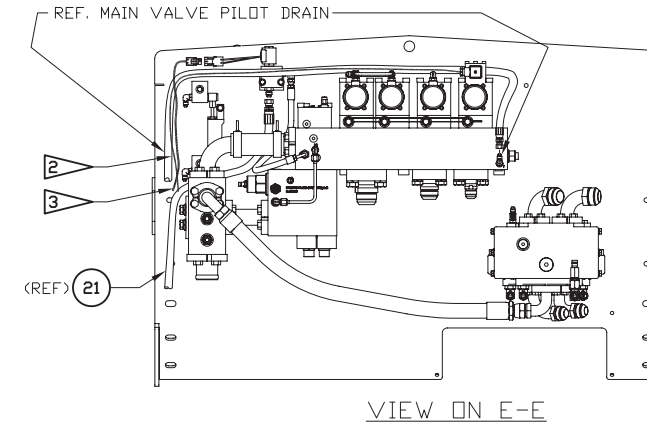
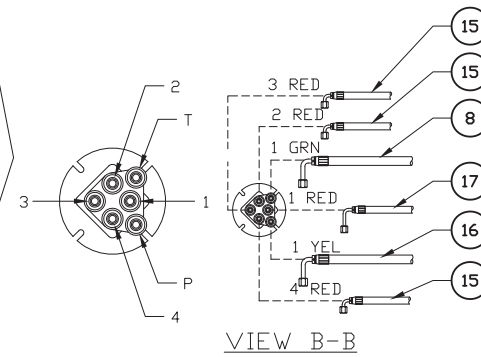
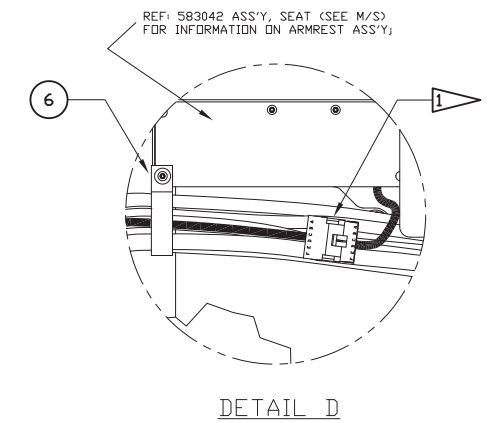
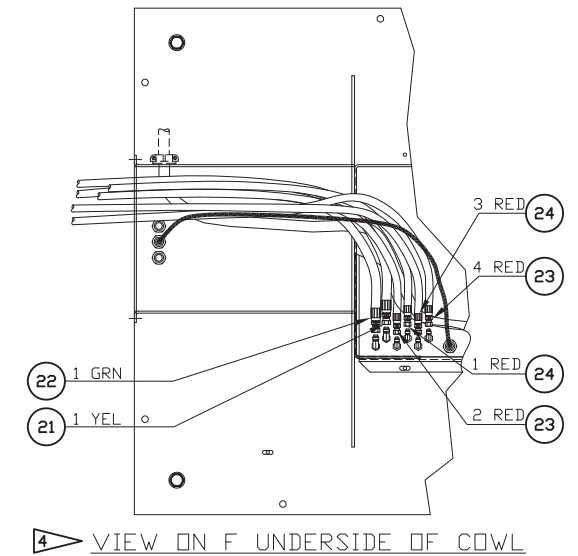
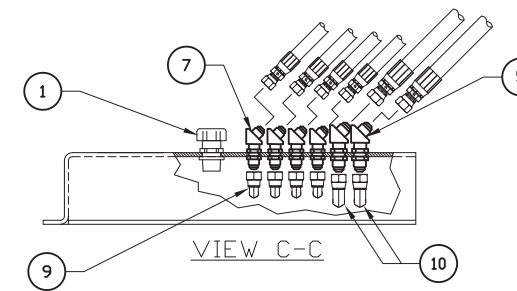
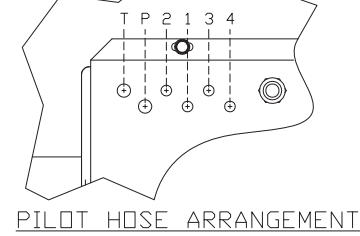
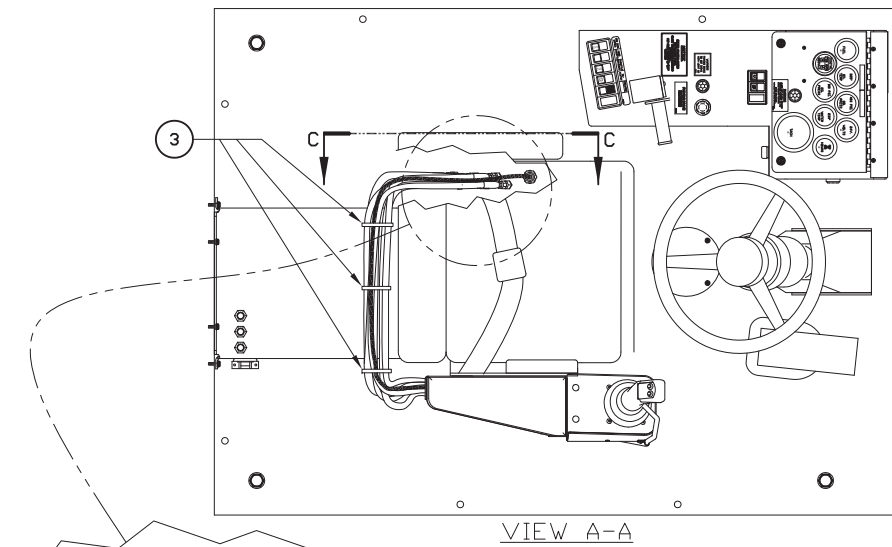
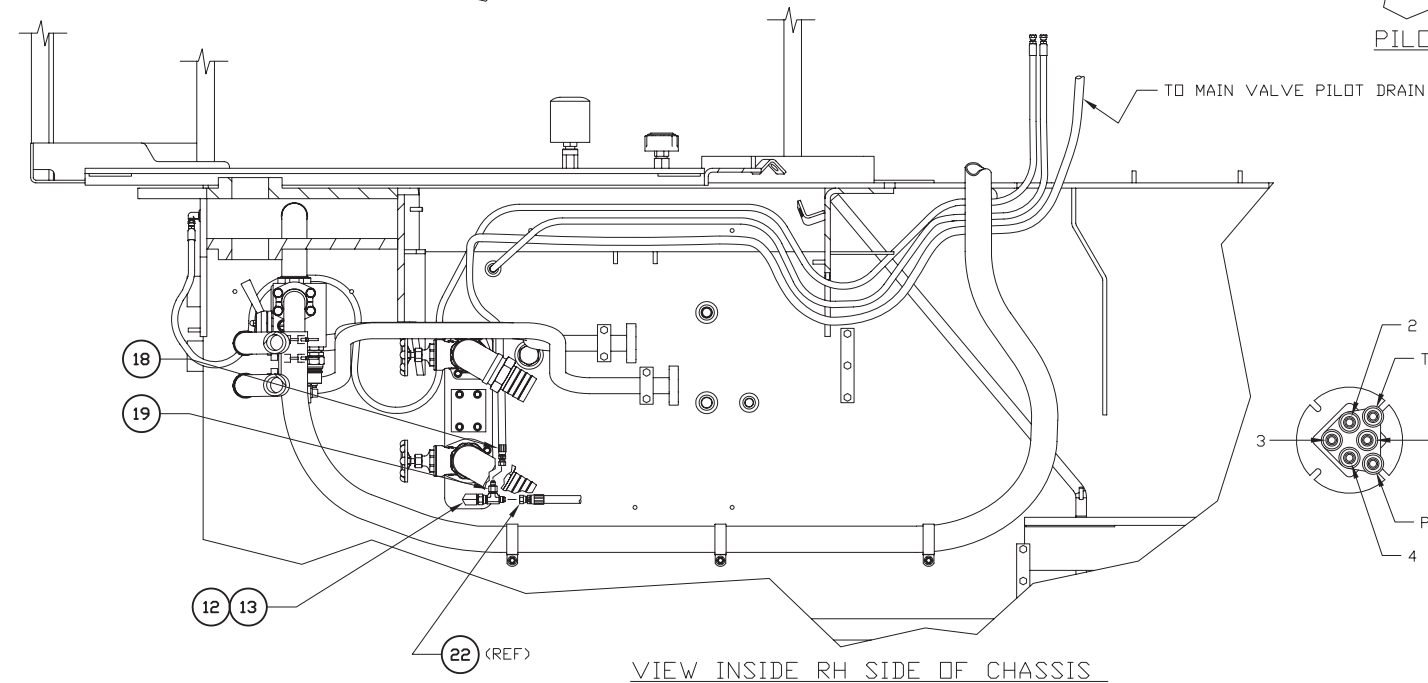
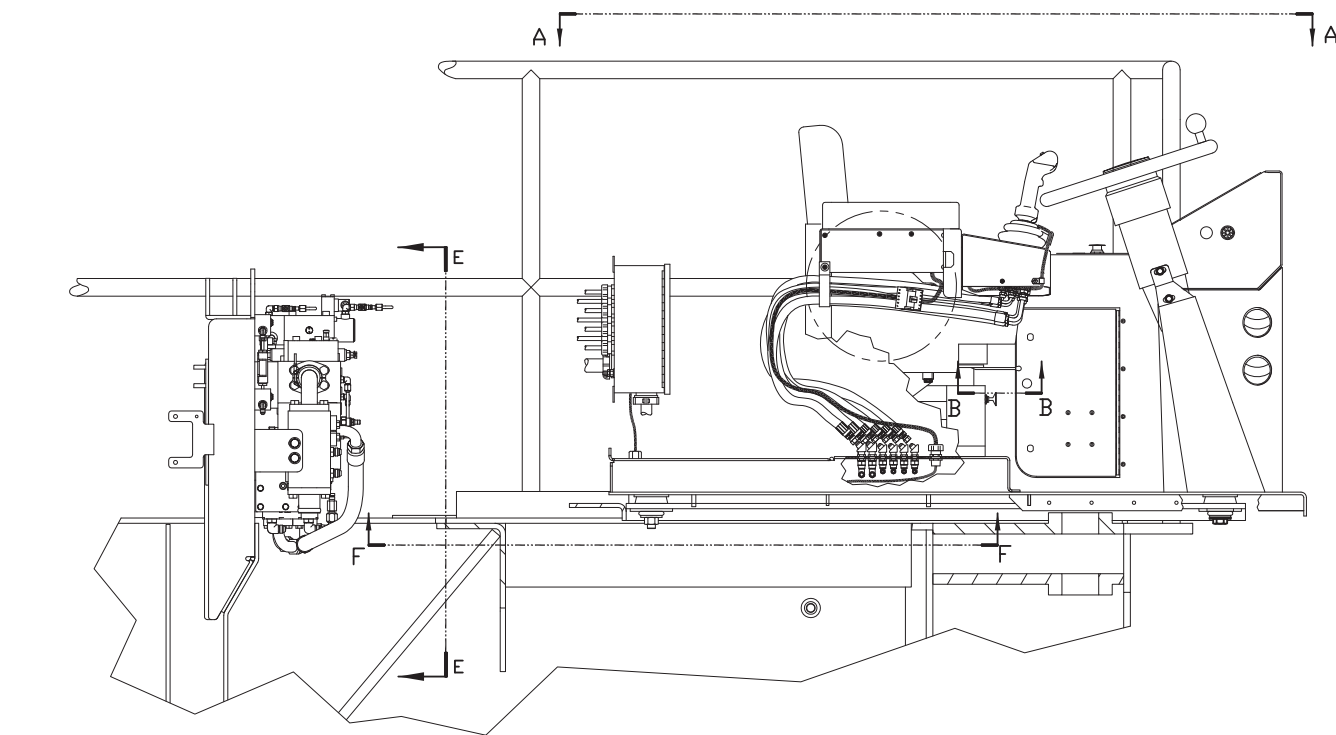

Control Implement Installation

Control Implement Installation

Item	Part No.	Qty	Description	Item	Part No.	Qty	Description
	583056		Controls Implement Installation				
1	227374	1	. Connector, Cord	14	227473	1	. Hose Assembly
2	223929	4	. Fitting	15	237814	3	. Hose Assembly
3	Y078534	3	. Strap Tie Nylon	16	253429	1	. Hose Assembly
4	211560	2	. Fitting	17	243524	1	. Hose Assembly
5	16888	4	. Fitting	18	227881	1	. Hose Assembly
6	209700	1	. Clamp	19	229666	1	. Fitting
7	R14398	2	. Fitting	20	582712	1	. Wire Harness
8	253430	1	. Hose Assembly	21	R12434	1	. Hose Assembly
9	212718	4	. Fitting	22	249825	1	. Hose Assembly
10	211561	2	. Fitting	23	250442	2	. Hose Assembly
11	582711	1	. Cable	24	235184	2	. Hose Assembly
12	25577	1	. Fitting				
13	225660	1	. Fitting				



NOTES:

- 1 SEE WIRING DIAG. ON M/S FOR WIRE LOCATIONS;
- 2 ITEM 11, FROM CORD CONNECTOR 'E' ON JUNCTION BOX;
- 3 ITEM 20, FROM CORD CONNECTOR 'E' ON JUNCTION BOX;
- 4 PILOT HOSE IDENTIFICATION: 1 RED - HOIST BASE
2 RED - DUMP STEM
3 RED - HOIST STEM
4 RED - DUMP BASE