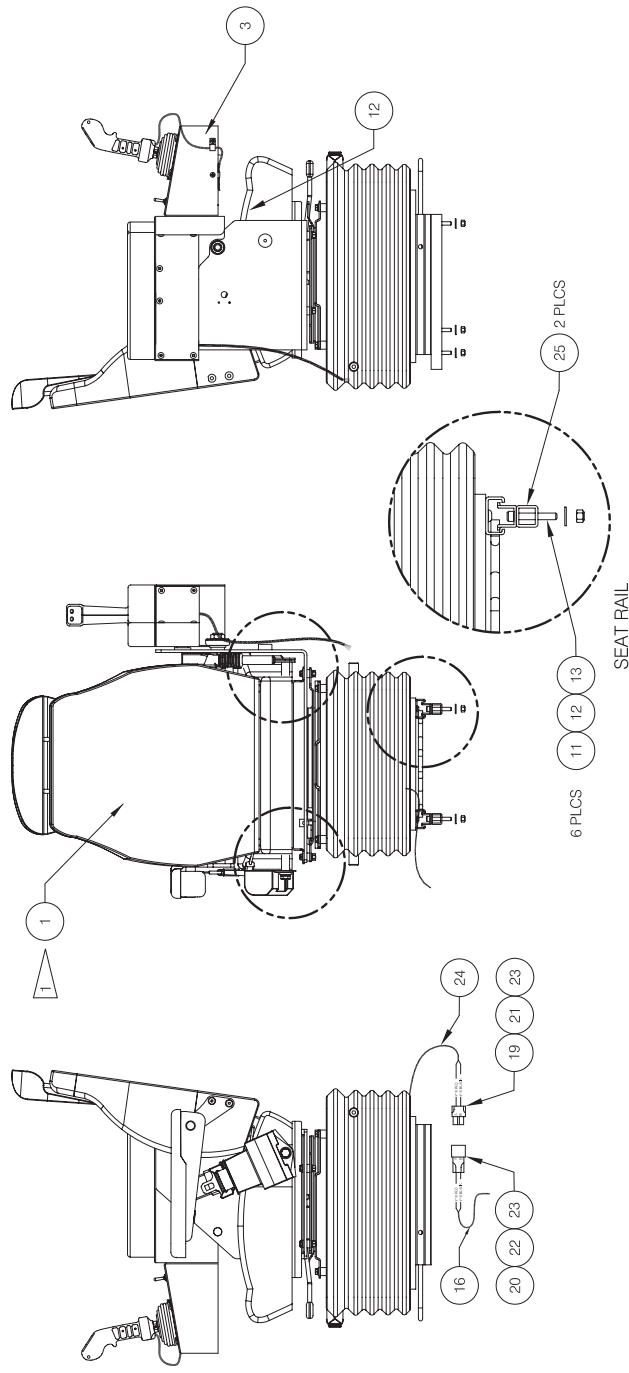
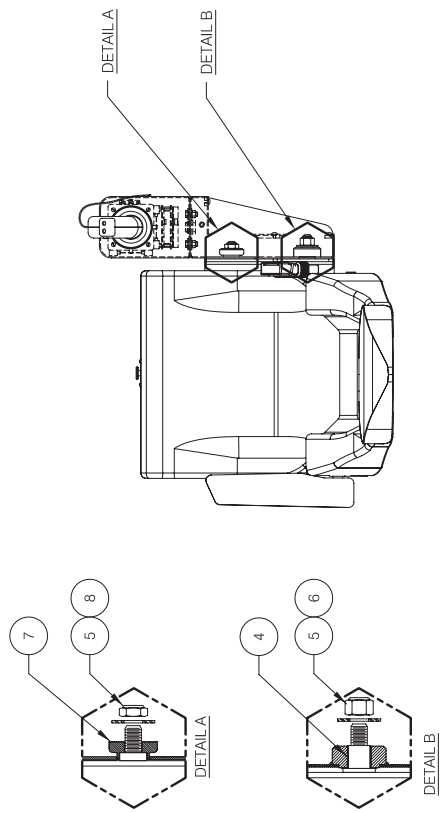
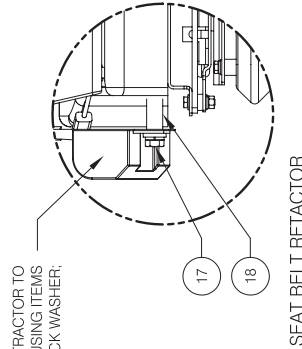
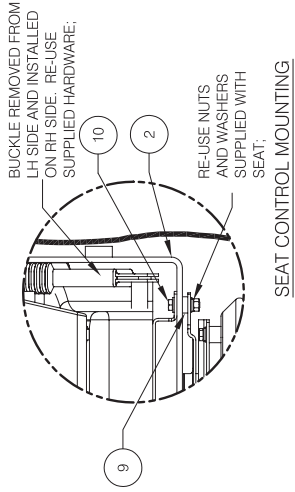
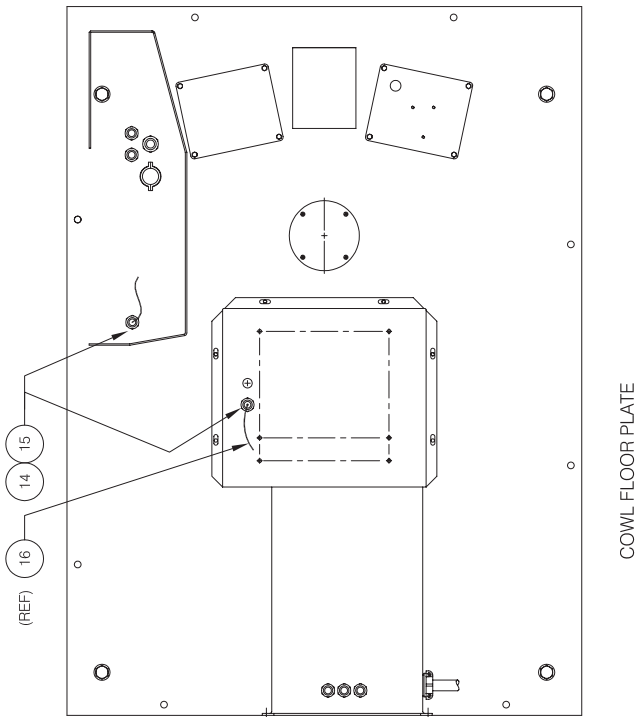
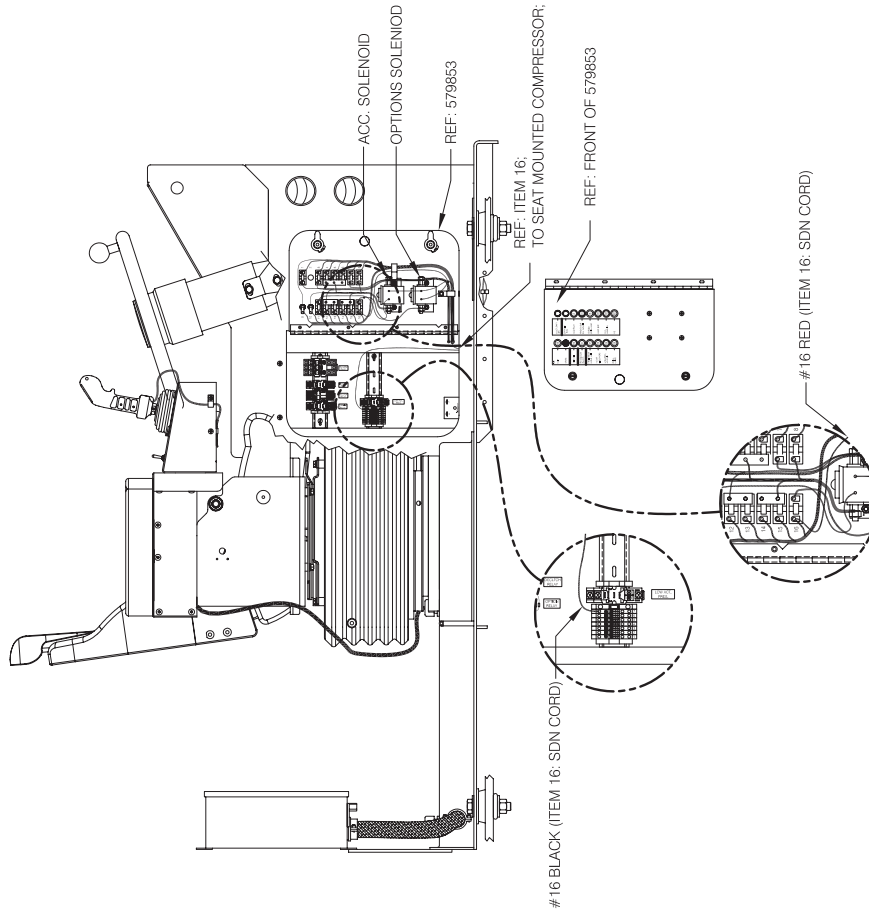


---

Seat Installation



ITEM 1 IS A CUSTOMER SPECIAL REQUEST SEAT ASSEMBLY. LIMITED DOCUMENTATION IS AVAILABLE.



## Seat Installation

Item	Part No.	Qty	Description	Item	Part No.	Qty	Description
	<b>582048</b>		<b>Seat Installation</b>				
1	252545	1	. Seat Assembly	12	232939	6	. Nut, Esna
	250639	1	. . Lap Belt Assembly	13	R13811445	6	. Flat Washer
	251444	1	. . Kit, Armrest	14	227374	2	. Connector, Cord
	252876	1	. . Adjustable Headrest	15	27054	2	. Ring Nut
2	582241	1	. Seat Control Weldment	16	231481	6'	. Cord, Sdn
3	* 581899	1	. Armrest Assembly, RH	17	237041	1	. Capscrew
4	207262	1	. Bearing, Nyliner	18	3500188	1	. Tube
5	223187	2	. Flat Washer	19	R740885	1	. Connector, Wire
6	235461	1	. Nut, Esna	20	R740886	1	. Connector, Wire
7	704189	1	. Rest	21	R740874	2	. Pin, Female
8	00218443	1	. Jam Nut	22	R740866	2	. Pin, Male
9	R552914	5	. Spacer Plate	23	R740867	4	. Seal, Wire
10	R13811015	4	. Capscrew	24	219390	1'	. Loom, Auto
11	R11079	6	. Capscrew	25	582243	2	. Tube, Sq

\* See Separate Coverage