
Emergency Steering Installation

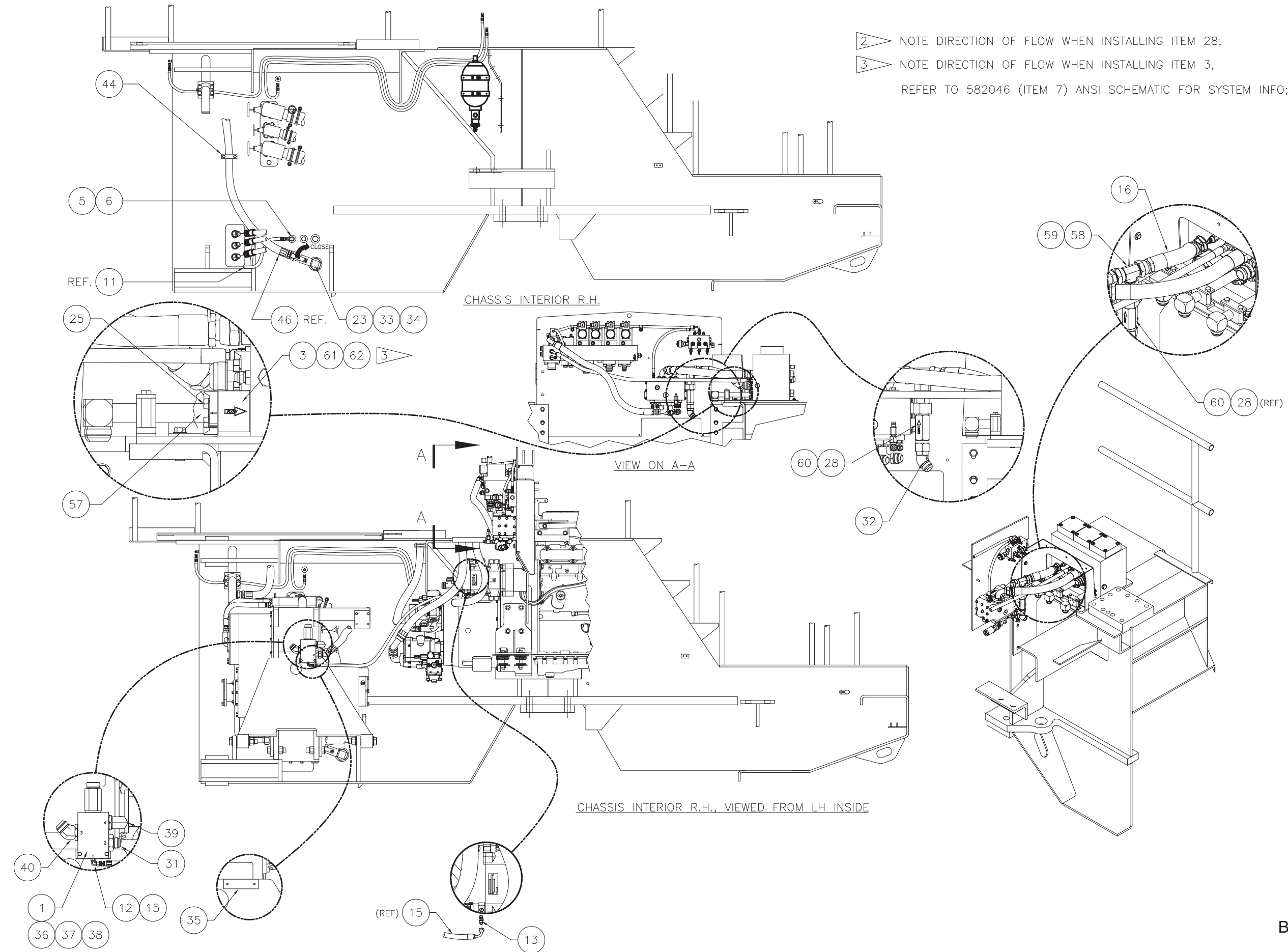
Emergency Steering Installation

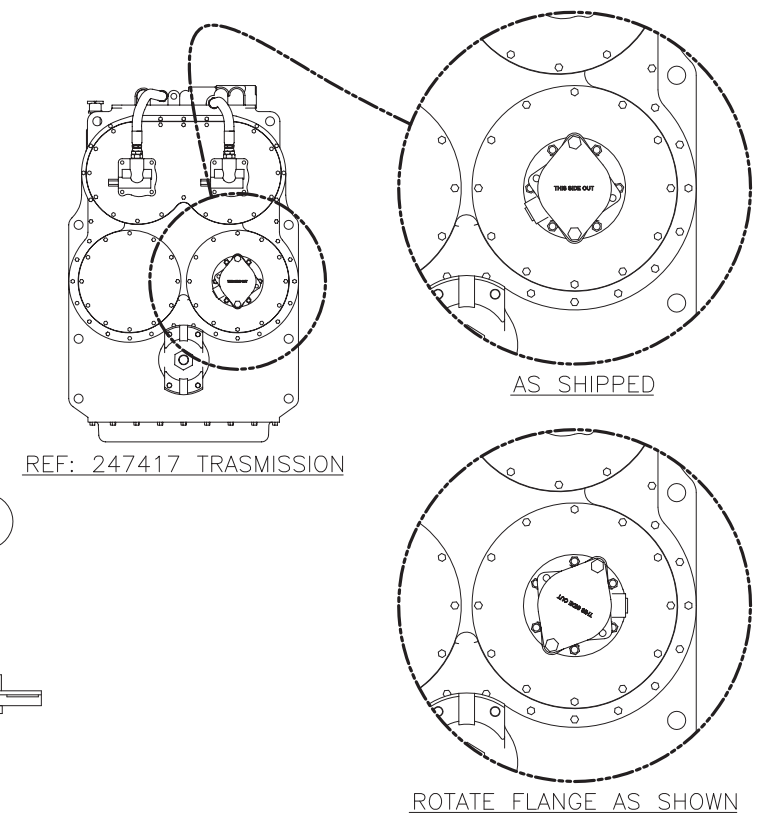
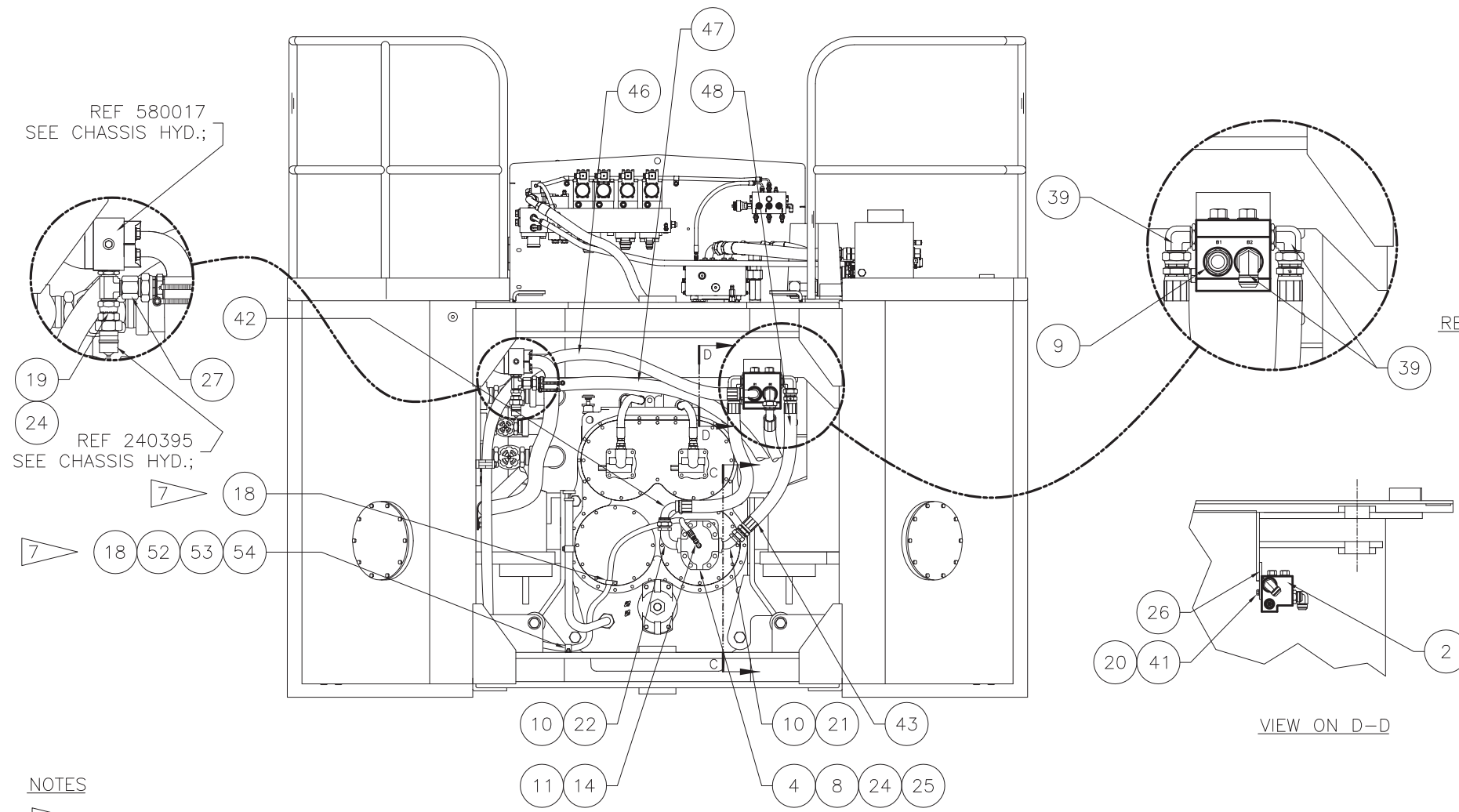
Item	Part No.	Qty	Description	Item	Part No.	Qty	Description
	582045		Emergency Steering Installation				
1	249322	1	. Valve, Directional Control	30	225611	4	. Lockwasher
2	* 580091	1	. Manifold Assembly	31	209142	1	. Fitting
3	245846	1	. Check Valve	32	209147	1	. Fitting
4	* 249541	1	. Pump, Hydraulic	33	209820	1	. Fitting
5	209505	1	. Fitting	34	12848	1	. Fitting
6	209410	1	. Fitting	35	580279	1	. Bar, Tapped
7	* 582046	1	. Ansi Schematic-Emerg Steering	36	R13806234	2	. Capscrew
8	507099	1	. Gasket	37	R13802619	2	. Flat Washer
9	209619	7	. Fitting	38	00103319	2	. Lockwasher
10	11767	2	. Kit, Split Flange	39	209714	5	. Fitting
	200604	4	. . Washer	40	209167	2	. Fitting
	203516	1	. . O-Ring	41	221563W	2	. Capscrew
	209537	2	. . Clamp Half	42	240720	1	. Hose Assembly
	222379	4	. . Capscrew	43	227422	1	. Hose Assembly
11	236164	1	. Hose Assembly	44	228962	1	. Clamp
12	223784	1	. Fitting	45	12862	1	. Hose Assembly
13	582309	1	. Fitting	46	226905	1	. Hose Assembly
14	R13801972	1	. Fitting	47	249584	1	. Hose Assembly
15	14237	1	. Hose Assembly	48	249583	1	. Hose Assembly
16	228193	1	. Hose Assembly	49	209323	1	. Fitting
17	201569	4	. Flat Washer	50	252713	1	. Hose Assembly
18	209589	4	. Clamp	51	* 228200	1	. Pressure Filter
19	207295	1	. Fitting	52	242368	4	. Stud
20	200604	6	. Lockwasher	53	223654	7	. Locknut
21	14857	1	. Fitting	54	223427	10	. Washer
22	14274	1	. Fitting	55	563204	4	. Spacer
23	229164	1	. Ball Valve	56	582049	1	. Bracket, Filter Mounting
24	229390	1	. Fitting	57	582318	1	. Tube
25	238757	4	. Capscrew	58	214130	1	. Fitting
26	580179	1	. Bar, Mounting	59	232332	1	. Fitting
27	223582	1	. Fitting	60	247605	1	. Fitting
28	249455	1	. Check Valve	61	252714	1	. Plate, Seal
29	231089	4	. Capscrew	62	226689	1	. Connector

* See Separate Coverage

NOTES

- 2 NOTE DIRECTION OF FLOW WHEN INSTALLING ITEM 28;
- 3 NOTE DIRECTION OF FLOW WHEN INSTALLING ITEM 3,
REFER TO 582046 (ITEM 7) ANSI SCHEMATIC FOR SYSTEM INFO;





NOTES

7 USE AS REQUIRED TO SECURE HOSE;

