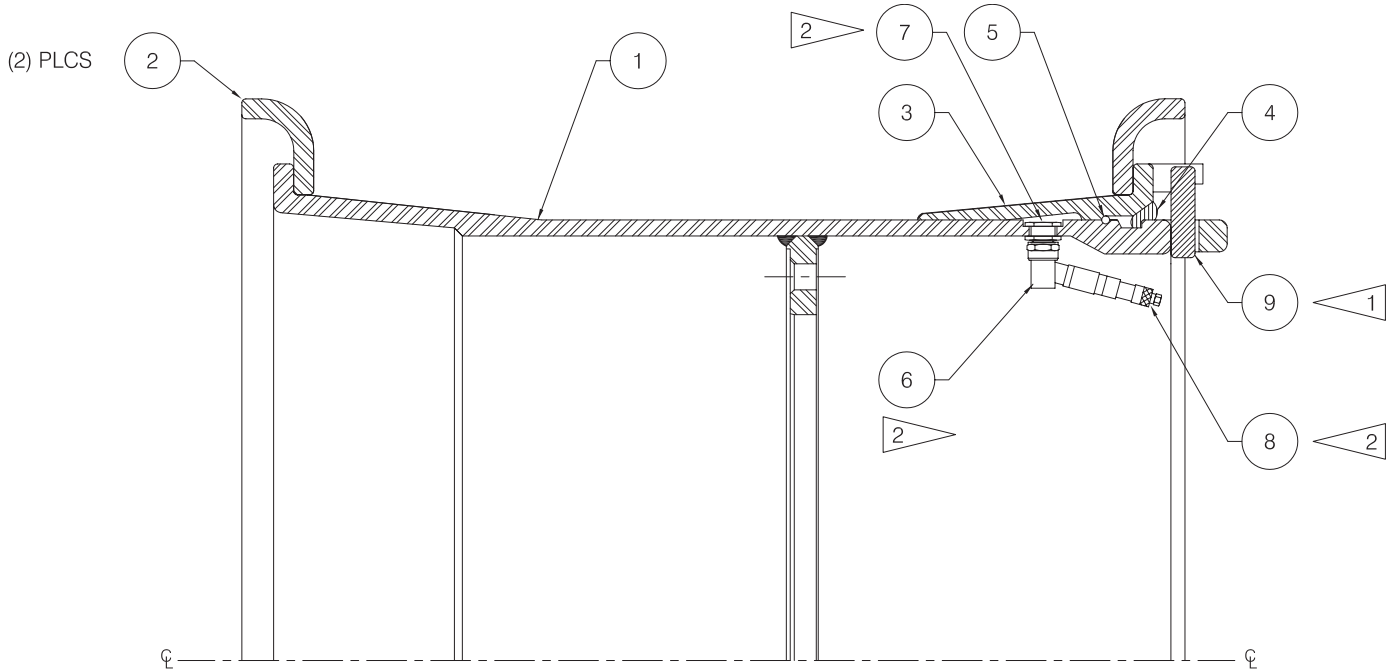


Wheel Assembly - Chassis



NOTES:

1 VIEW IS TYPICAL FOR (2) LOCKS LOCATED 180° APART.

2 ITEMS 6, 7 & 8 TYPICAL, 2 PLACES;

Item	Part No.	Qty	Description	Item	Part No.	Qty	Description
582040 Wheel Assembly							
1	582041	1	. Rim Base	6	221836	2	. Stem, Valve
2	210121	2	. Flange	7	221834	2	. Spud Assembly
3	560983	1	. Bead Seat	8	221835	2	. Housing, Core
4	210123	1	. Ring, Lock	9	560262	2	. Lock, Wheel
5	210099	1	. O-Ring				