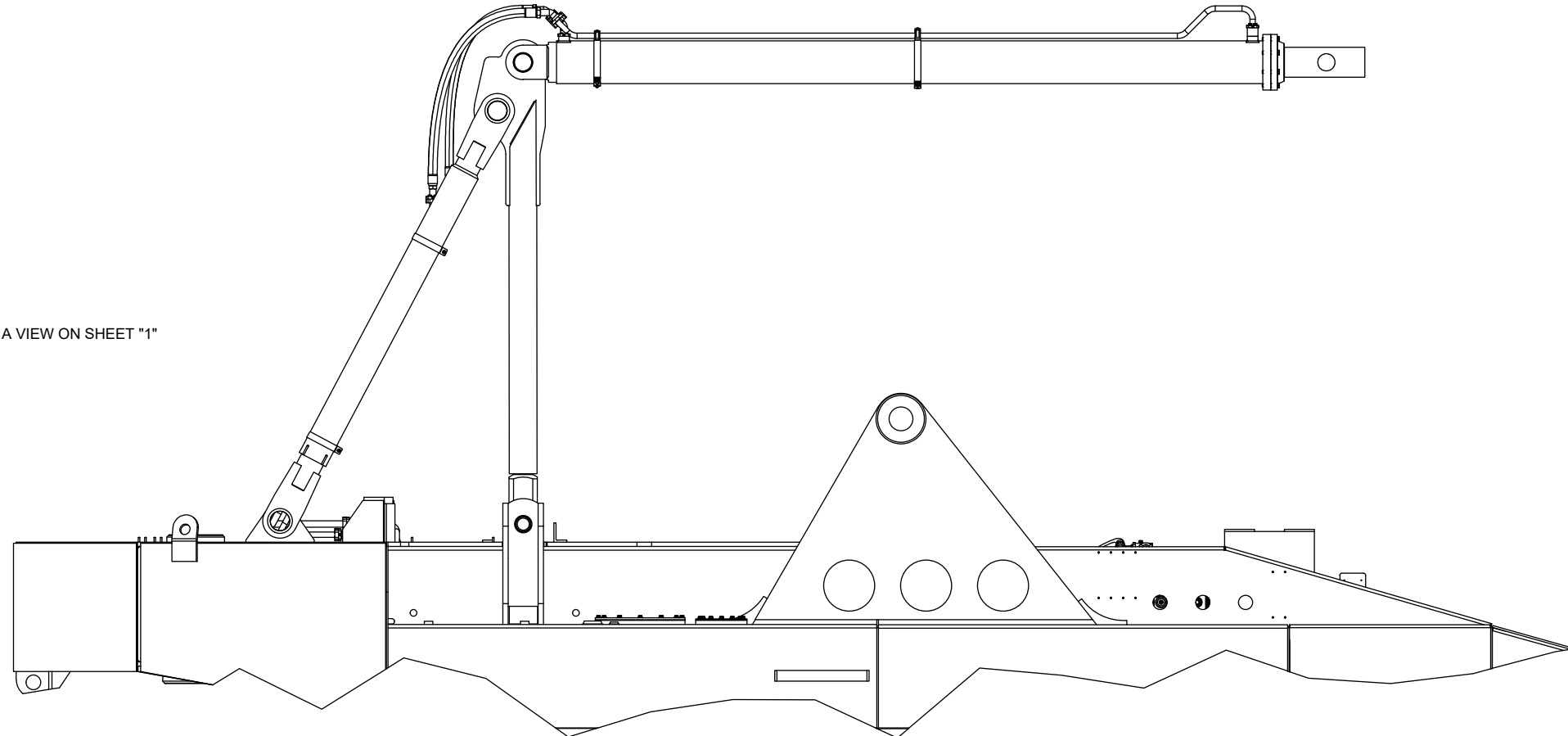
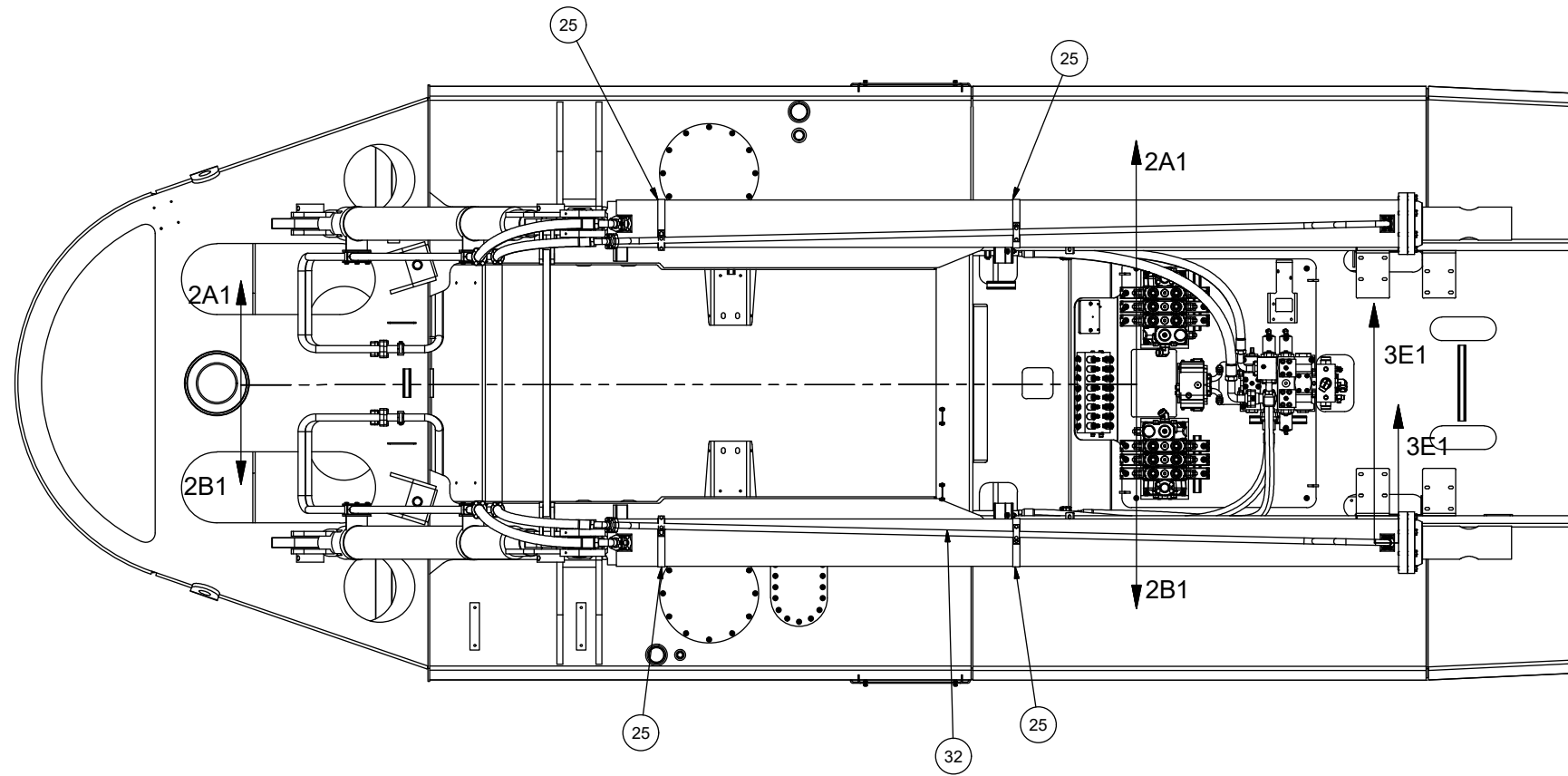

Hydraulic System - Tilt

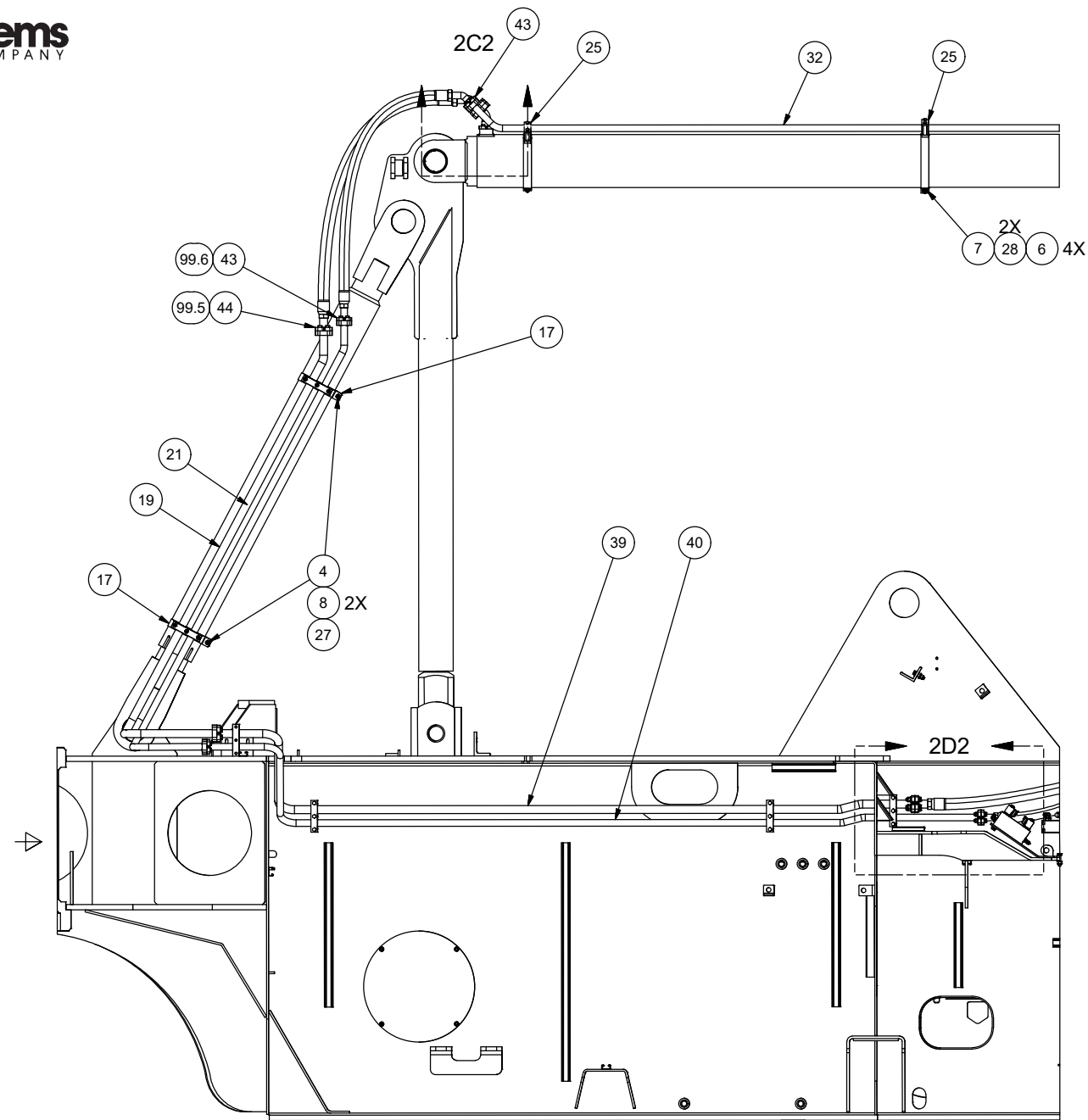
Hydraulic System- Tilt

Item	Part No.	Qty	Description	Item	Part No.	Qty	Description
	581053		Hydraulic Sys-Tilt				
4	R13811039	4	. Capscrew	27	237567	4	. Locknut
5	209537	8	. Clamp Half	28	221771W	24	. Washer
6	R13801850	4	. Capscrew	32	575906	2	. Tube Weldment
7	223587	12	. Locknut	33	565049	2	. Manifold
8	221767W	8	. Washer	34	538595	2	. Restrictor Valve
9	R13802765	4	. O-Ring	36	R13811063	8	. Capscrew
10	226632	2	. Connector	38	203515	2	. O-Ring
11	209536	12	. Clamp Half	39	581769	1	. Tube Weldment
12	203446	6	. O-Ring	40	581770	1	. Tube Weldment
13	226689	2	. Connector	41	581774	1	. Tube Weldment
14	131137W	8	. Capscrew	42	581775	1	. Tube Weldment
15	R13805167	8	. Locknut	43	11740	10	. Kit, Split Flange
16	R13811432	24	. Washer	44	11767	8	. Kit, Split Flange
17	604847	4	. Clamp Weldment		203516	1	. O-Ring
18	566127	2	. Fitting Weldment	99	604855	1	. Hose Kit
19	581667	1	. Tube Weldment	99.1	604854	1	. Hose Assembly
20	581668	1	. Tube Weldment	99.2	602511	1	. Hose Assembly
21	581767	1	. Tube Weldment	99.3	604852	1	. Hose Assembly
22	581768	1	. Tube Weldment	99.4	604853	1	. Hose Assembly
25	562424	4	. Clamp Weldment	99.5	604850	2	. Hose Assembly
26	221576W	8	. Capscrew	99.6	604851	2	. Hose Assembly

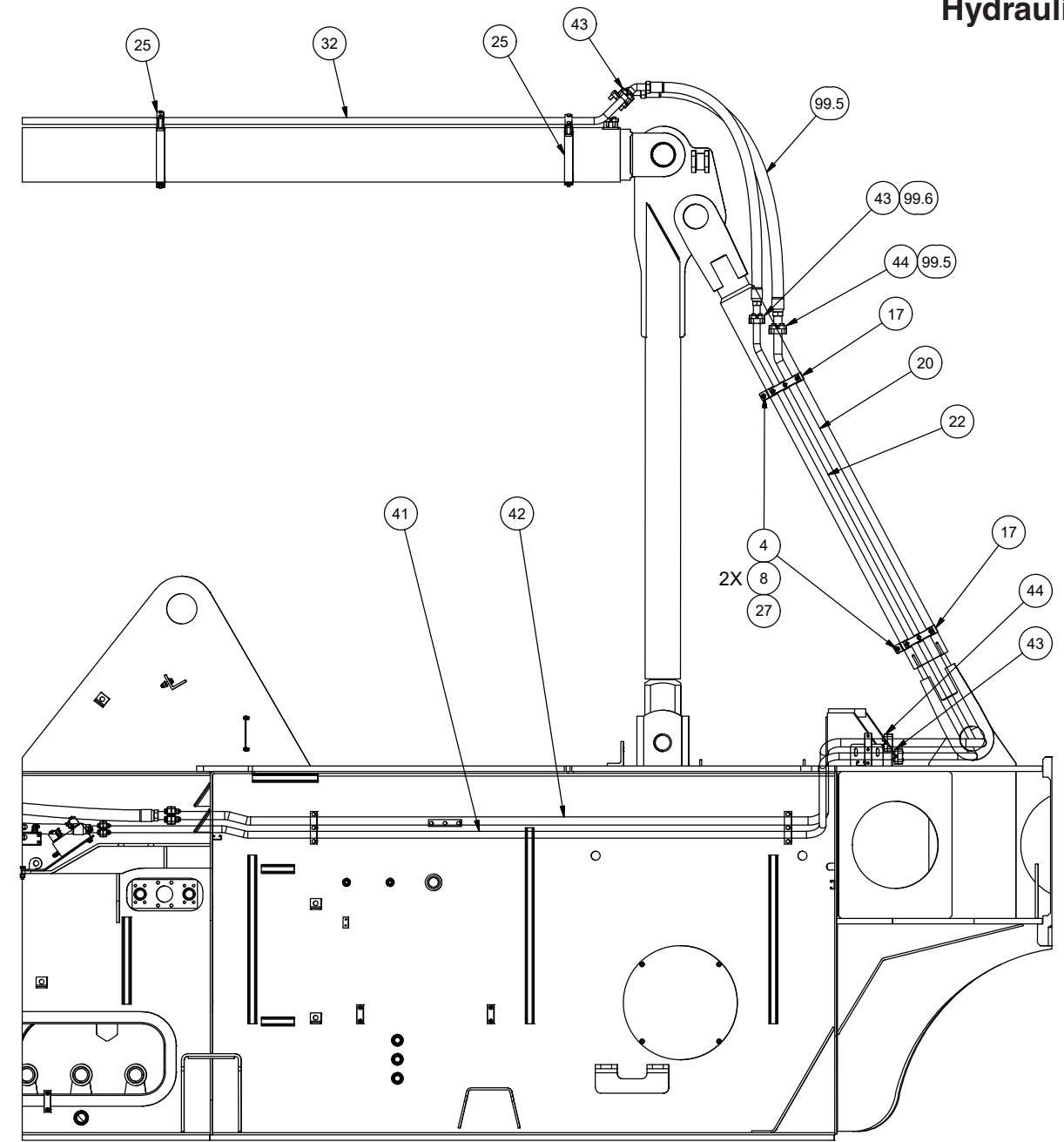


VIEW LOCATION KEY:
FIRST NUMBER IS THE SHEET THAT THE DETAIL/SECTION IS LOCATED ON
LETTER IS THE ALPHABETIC DESIGNATION OF THE DETAIL/SECTION
LAST NUMBER IS THE SHEET THAT THE DETAIL/SECTION IS TAKEN FROM

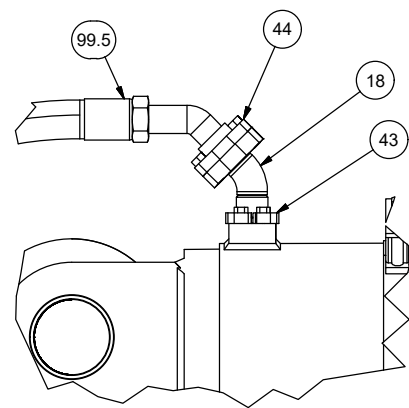
EX: 2C1 = DETAIL/SECTION IS LOCATED ON SHEET "2", DESIGNATED AS "C", TAKEN FROM A VIEW ON SHEET "1"



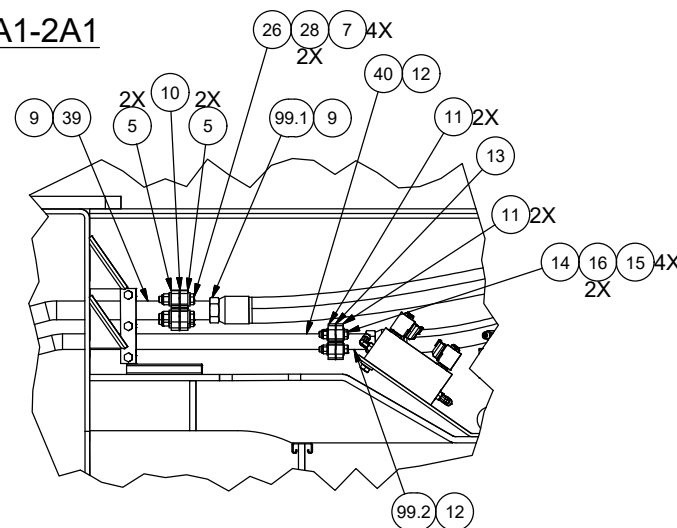
SECTION 2A1-2A1



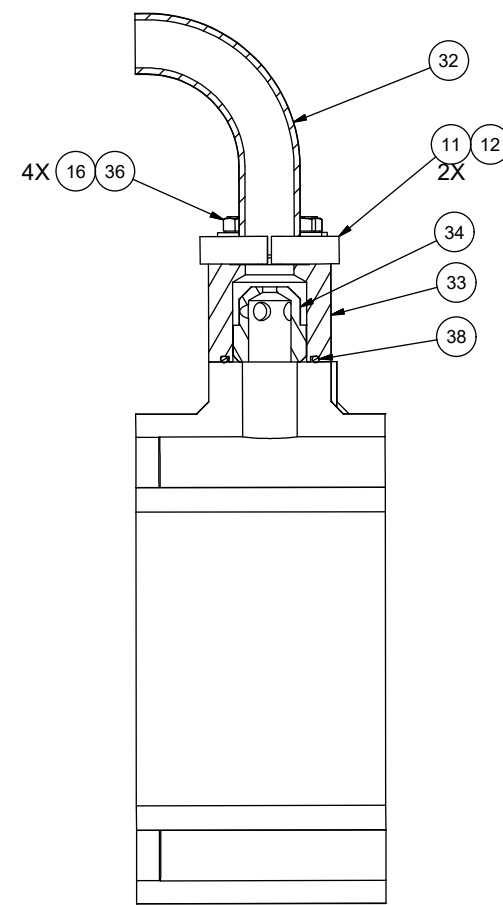
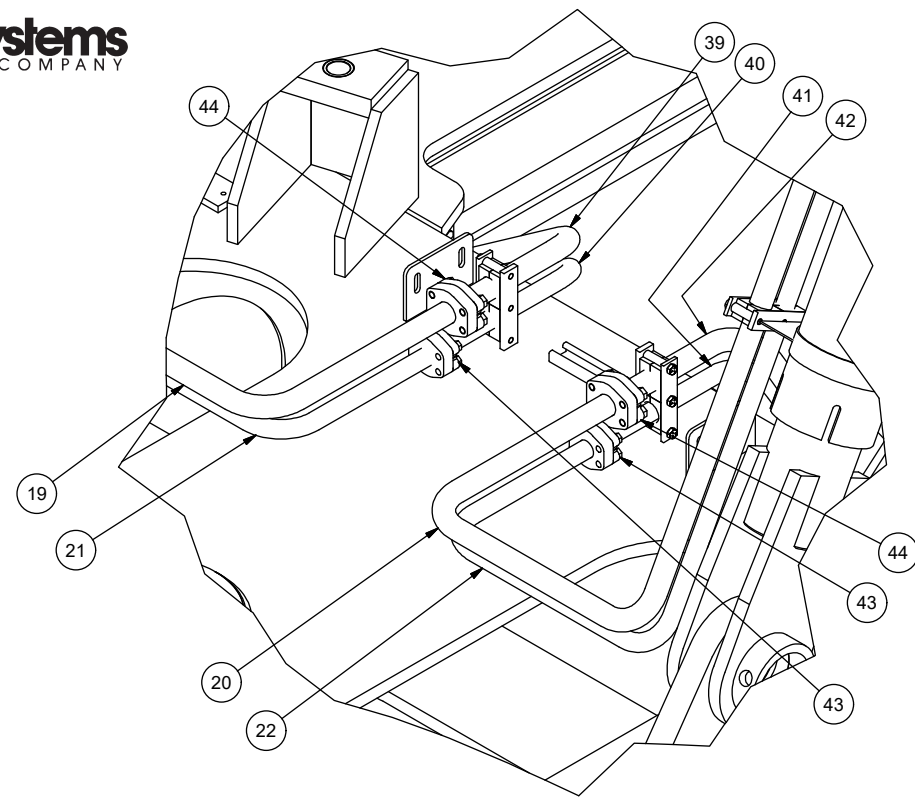
SECTION 2B1-2B1



DETAIL 2C2
TILT BASE CONNECTION
2 PLACES



DETAIL 2D2
VALVE PLATE SPLICE
2 PLACES



**SECTION 3E1-3E1
RESTRICTOR INSTALL
2 PLACES**

