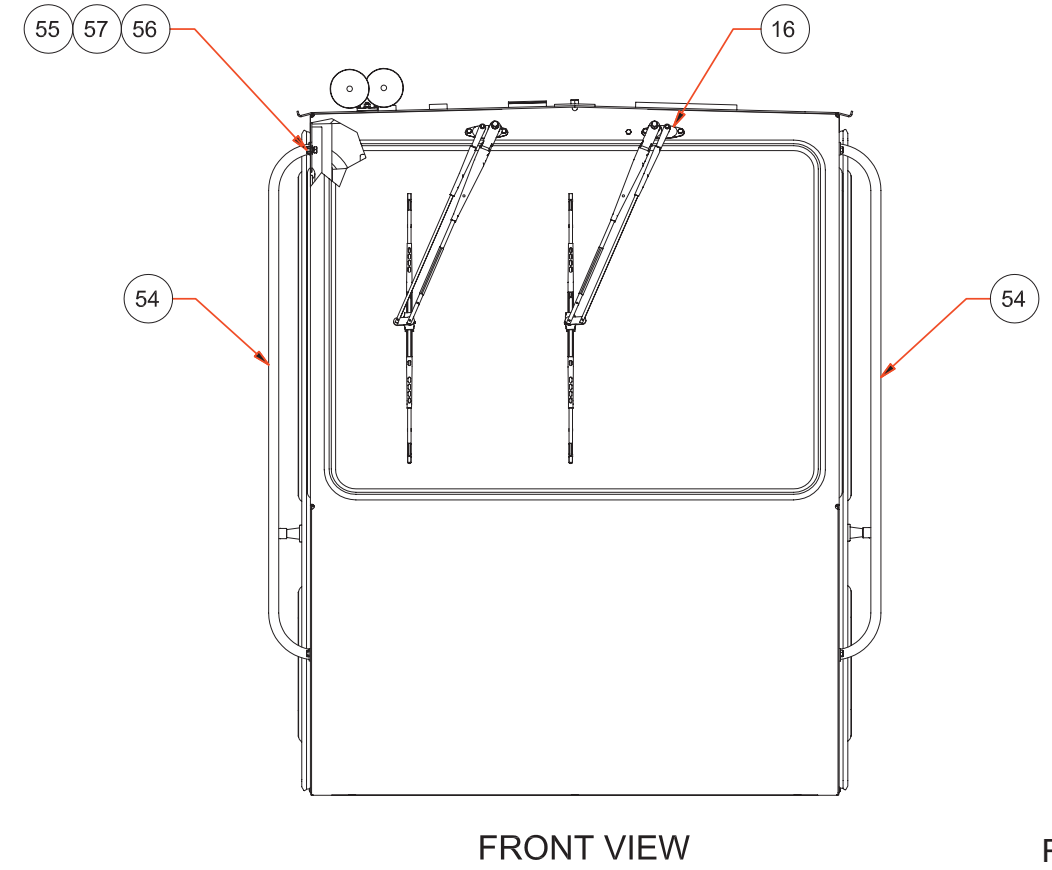
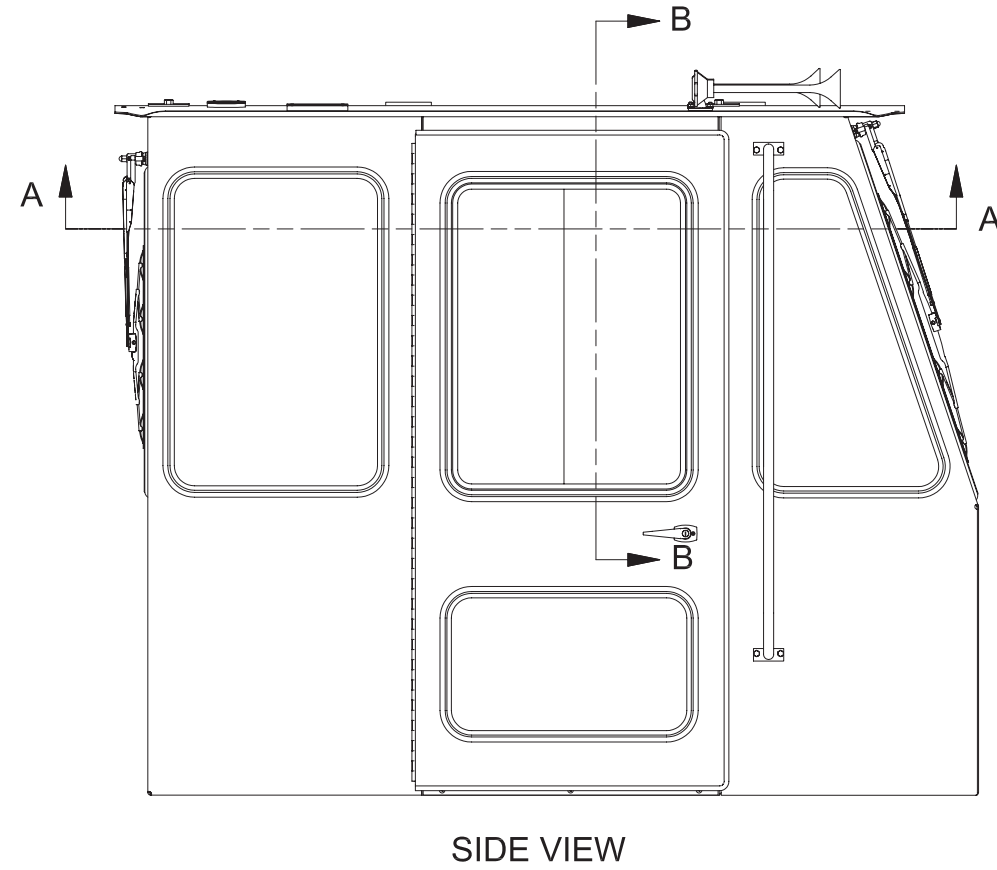
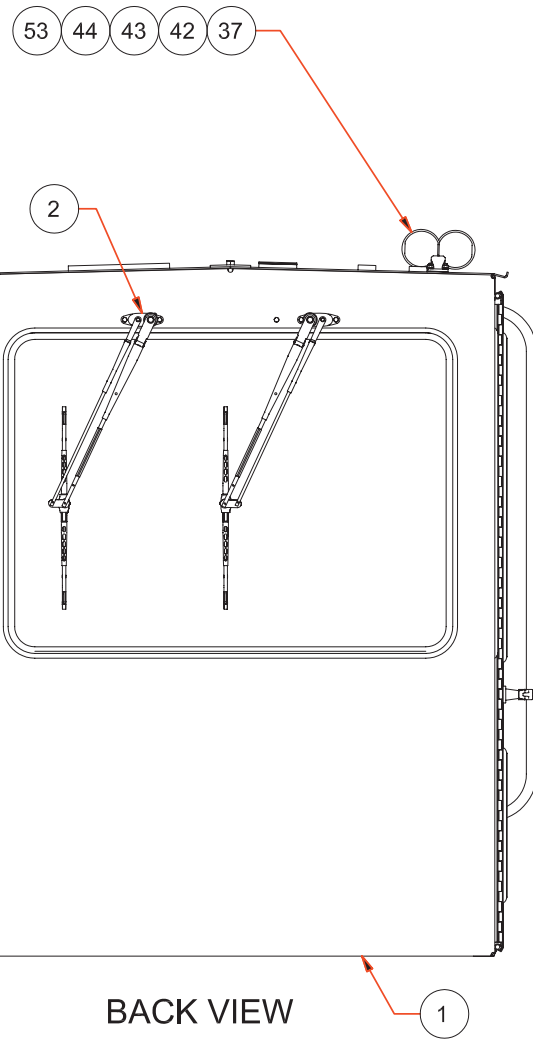
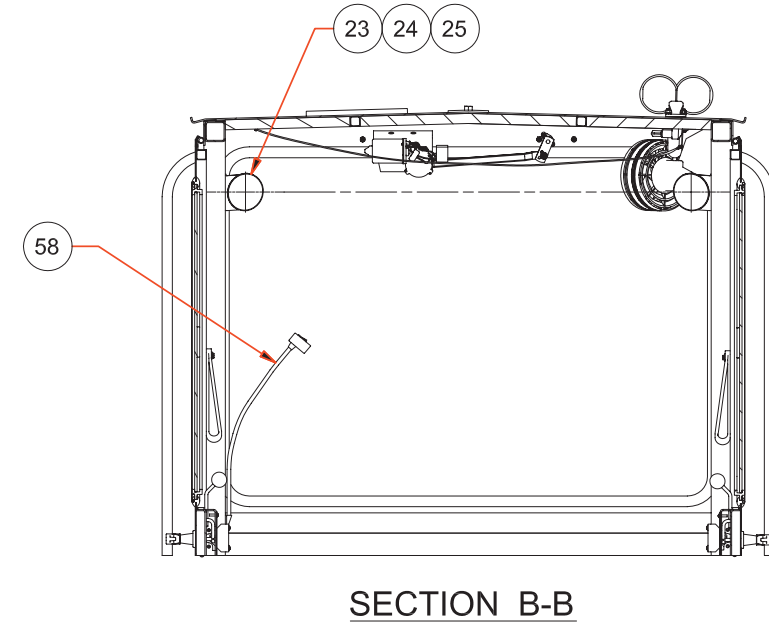
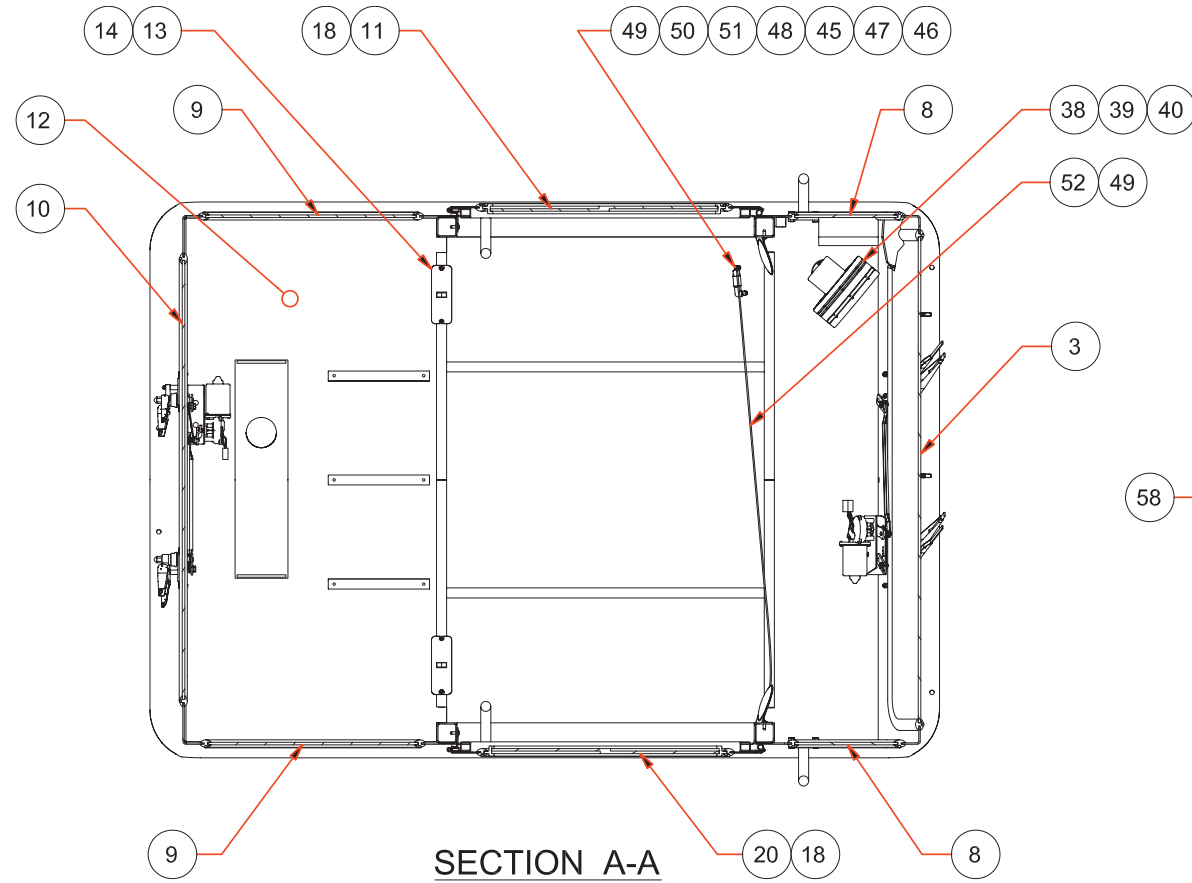

Cab Assembly

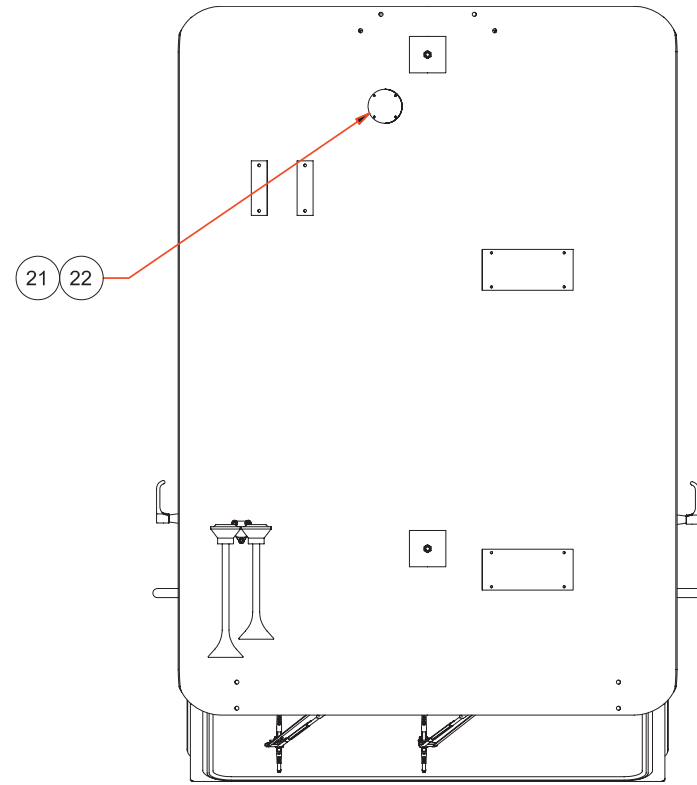
Cab Assembly

Item	Part No.	Qty	Description	Item	Part No.	Qty	Description
	581044		Cab Assembly				
1	581415	1	. Cab	25	223146	2	. Machine Screw
2	*a 579756	1	. Wiper Assembly	26	570641	2	. Threshold Plate
3	576019	1	. Glass	28	222384	6	. Machine Screw
4	203037	60'	. Molding, Locking Key	37	243938	1	. Dual Air Horn
5	200326	60'	. Molding, Self Lock	38	239161	1	. Defroster Fan
6	559815	AR	. Shim	39	00109451	3	. Machine Screw
7	570684	1	. Wire Harness, Cab	40	00103338	3	. Flat Washer
8	567057	2	. Glass	42	234128	3	. Capscrew
9	570420	2	. Glass	43	224117	3	. Nut
10	567055	1	. Glass	44	223428	3	. Flat Washer
11	*a 572038	1	. Door Assembly, Rh	45	00114498	1	. Jam Nut
12	*a 570421	1	. Cab Insulation Location	46	00106267	1	. Flat Washer
13	251034	2	. Light, Dome	47	00105404	1	. Nipple, Pipe
14	223154	4	. Sheet Metal Screw	48	209394	1	. Fitting
15	559651	2	. Latch Striker Assembly	49	00100738	2	. Machine Screw
16	*a 579755	1	. Wiper Assembly	50	222143	1	. Hex Nut
17	559816	AR	. Shim	51	211294	1	. Air Valve
18	09420904	22	. Capscrew	52	222350	4'	. Chain, Steel Safety
19	568622	5'	. Duct	53	214479	3	. Seal
20	*a 572039	1	. Door Assembly, Lh	54	533724	2	. Handrail Assembly
21	581209	1	. Gasket	55	223654	8	. Locknut
22	581210	1	. Cover	56	235207	8	. Capscrew
23	215774	2	. Mirror	57	223427	8	. Flat Washer
24	526939	2	. Bracket	58	251035	1	. Lamp, Map

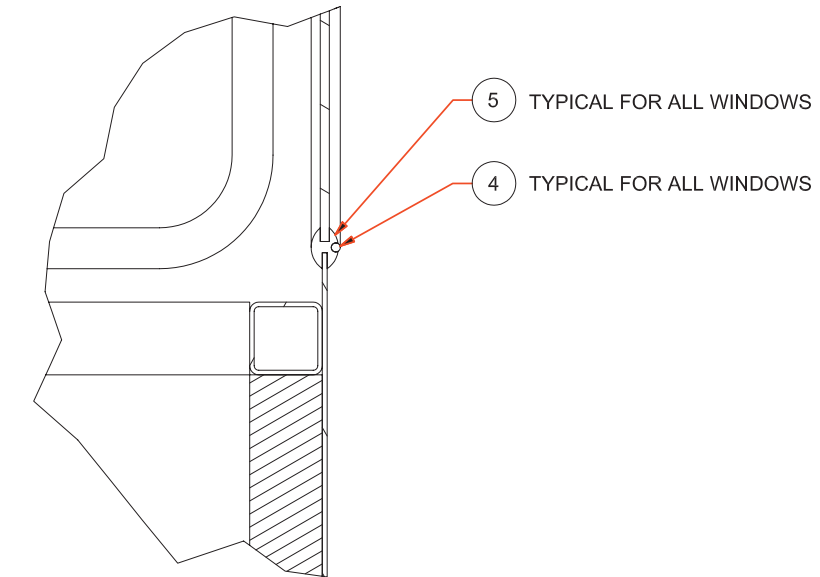
AR As Required

*a See Separate Coverage

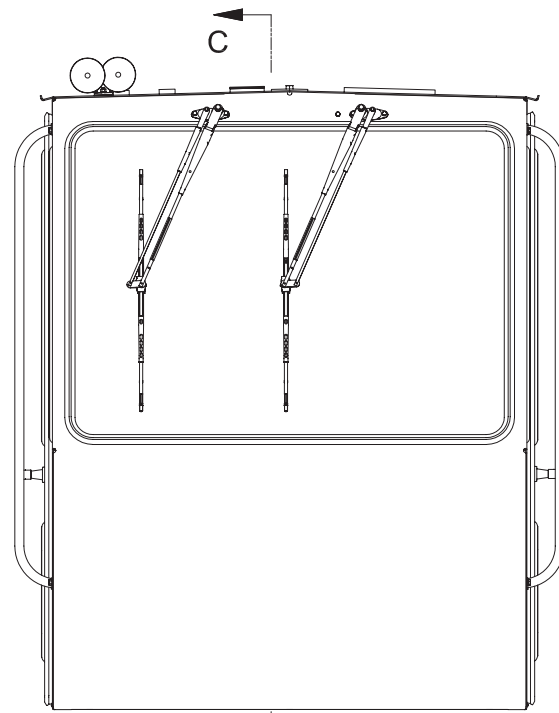




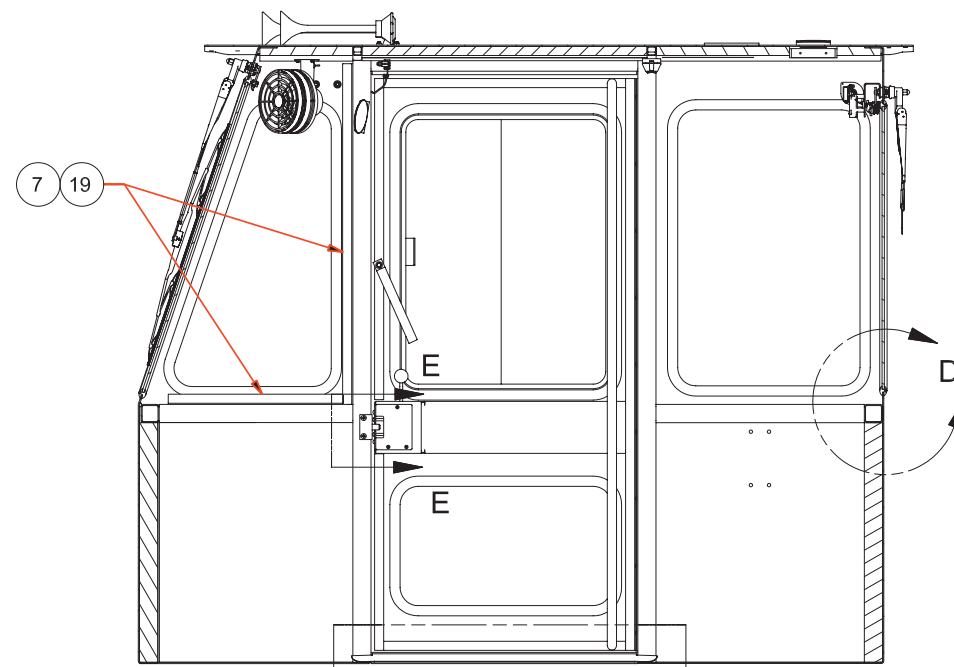
TOP VIEW



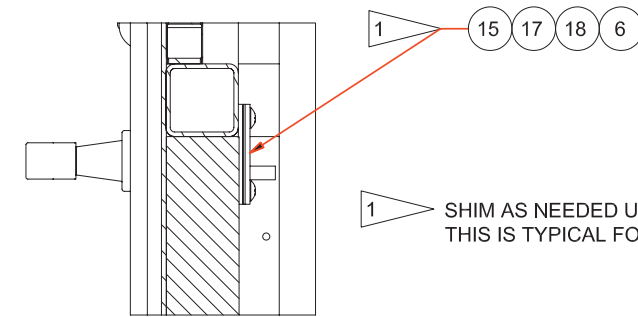
DETAIL D
TYPICAL WINDOW MOLDING



FRONT VIEW

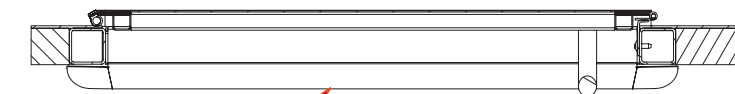


SECTION C-C
INSIDE R.H. VIEW



SECTION E-E
TYPICAL BOTH DOORS

1 SHIM AS NEEDED USING ITEMS 6 & 17.
THIS IS TYPICAL FOR BOTH DOORS.



SECTION F-F
TYPICAL BOTH DOORS