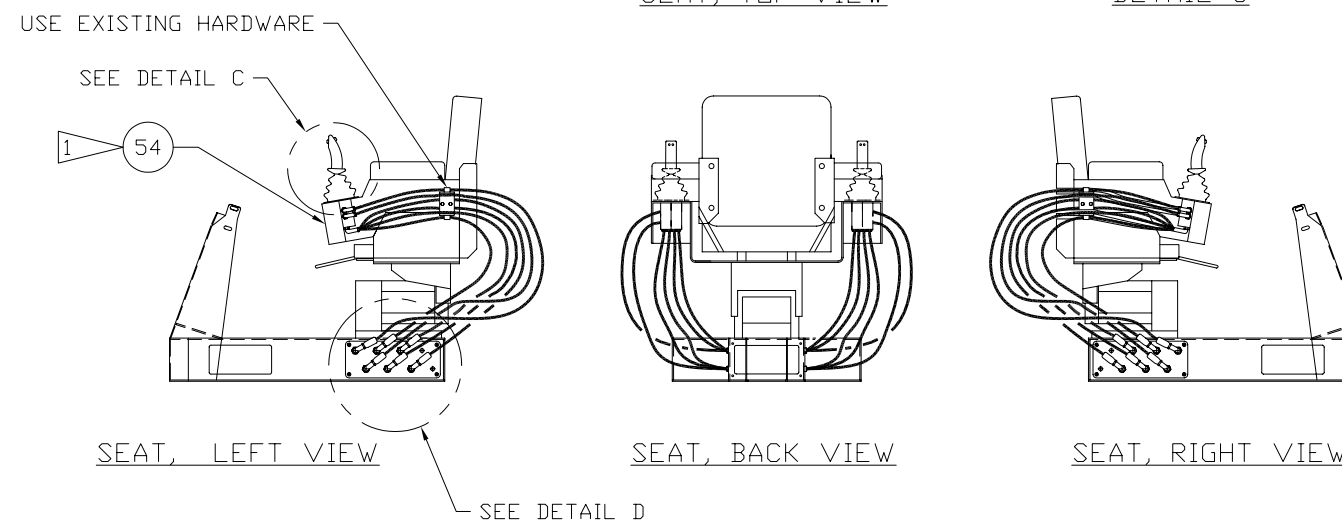
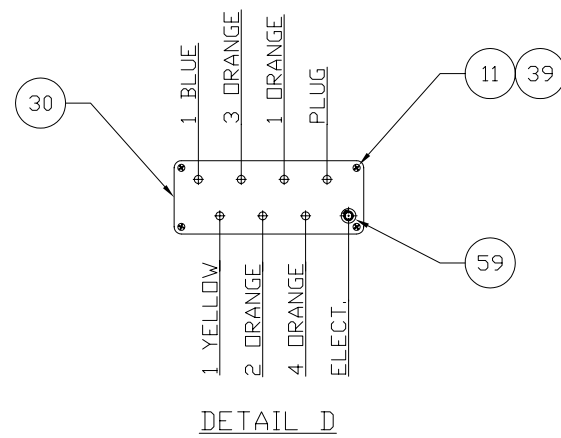
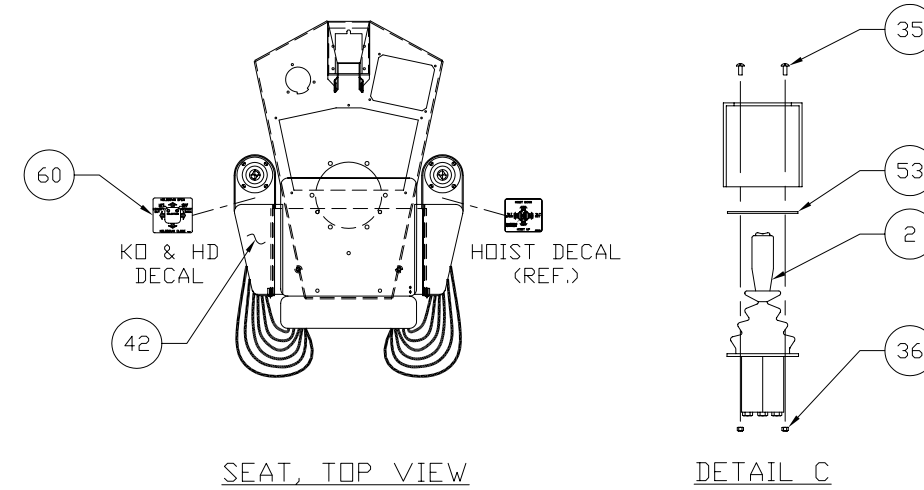
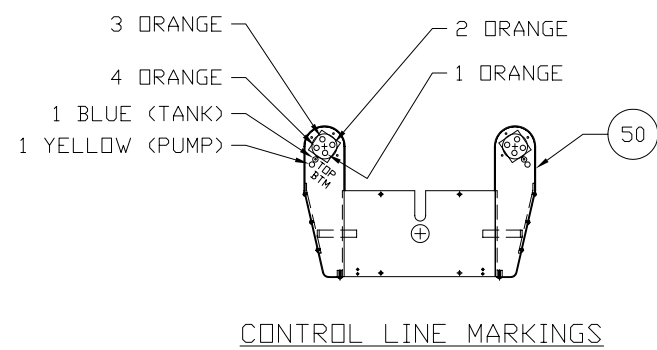
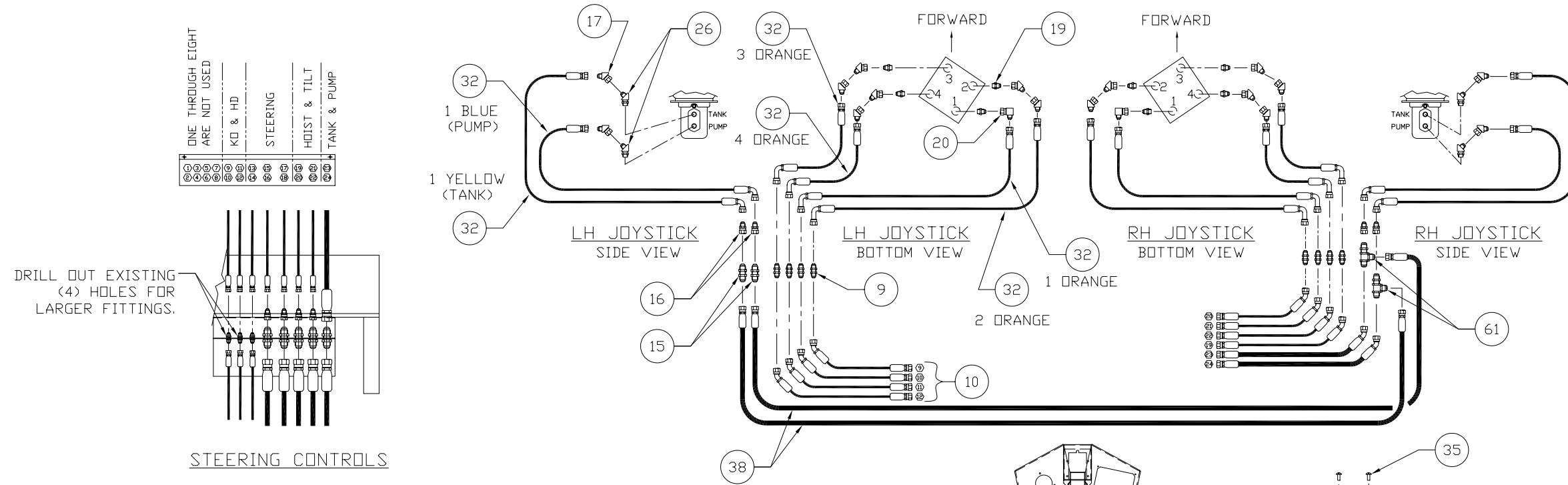

Hydraulic System - Seat Mounted Controls

Hydraulic System - Seat Mounted Controls

Item	Part No.	Qty	Description	Item	Part No.	Qty	Description
	581032		Hydraulic System - Seat Mounted Controls				
1	* 581038	1	. Junction Box Assembly	35	222384	4	. Machine Screw
2	* 250367	1	. Valve, LH Pilot Control	36	222441	4	. Nut, Esna
3	* 581058	1	. Manifold Assembly	38	214199	2	. Hose Assembly
9	224968	4	. Fitting	39	00103339	4	. Flat Washer
10	238252	4	. Hose Assembly	42	581063	1	. Armrest, LH
11	229186	4	. Capscrew	50	581035	1	. Control Weldment
15	215203	2	. Fitting	53	574511	2	. Spacer
16	226904	2	. Fitting	54	237391	1'	. Insulation, Pipe
17	224736	8	. Fitting, Ff	55	241200	1	. Insulation, Valve Cover Wrap
19	211560	9	. Fitting	56	241205	1	. Insulation, Valve Cover Wrap
20	211561	1	. Fitting	59	220577	1	. Connector, Cord
25	223929	12	. Fitting	60	581074	1	. Decal
26	209482	2	. Fitting, Ff	61	R830475	2	. Fitting
30	568668	1	. Plate	62	* 581034	1	. Hydraulic schematic
32	232286	6	. Hose Assembly				

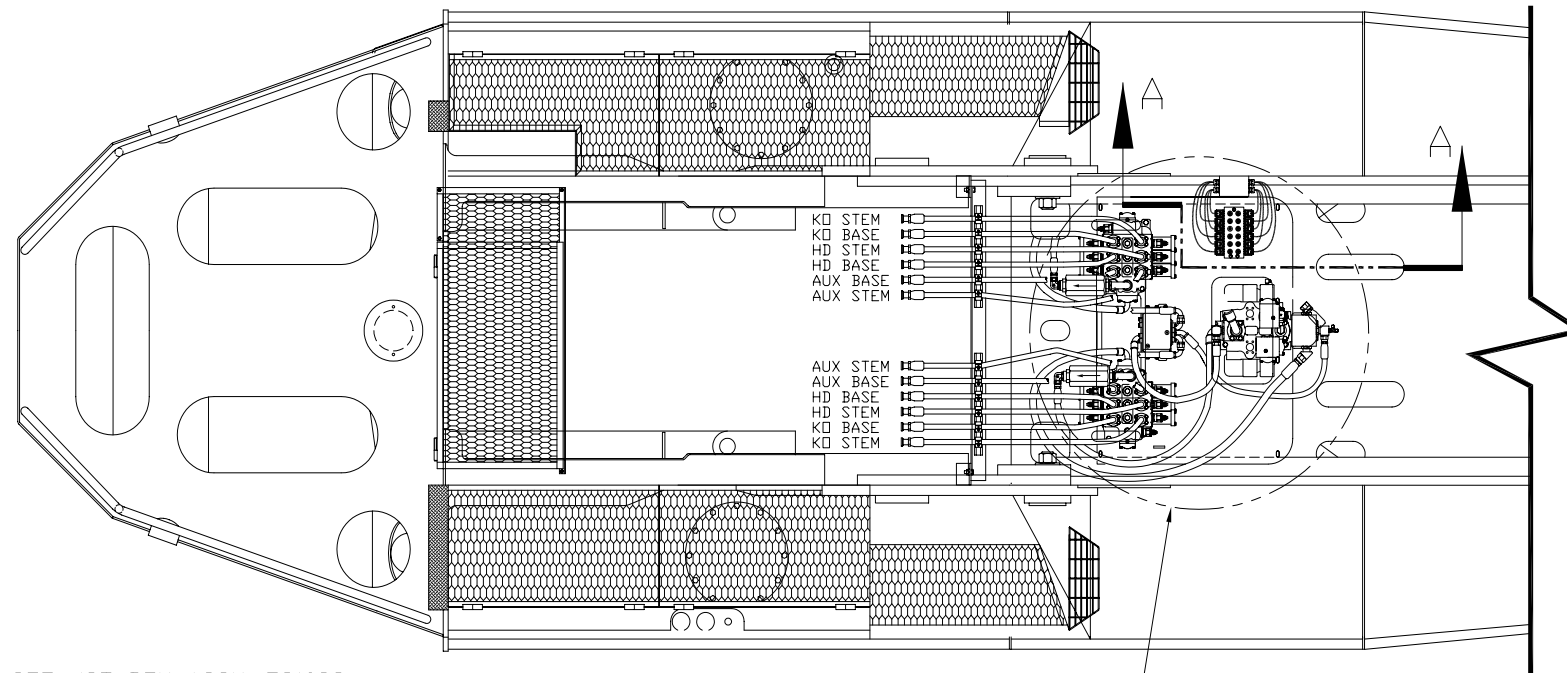
* See separate coverage



NOTE:

SOME HIDDEN LINES AND HOSES ARE OMITTED FOR CLARITY.

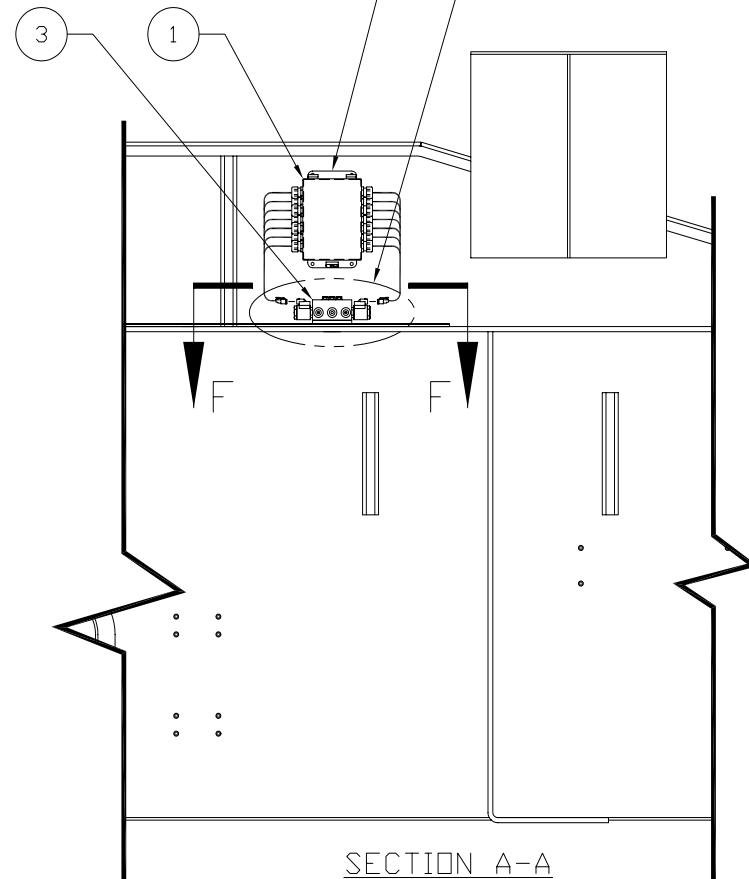
1 INSTALL ON THE INSIDE OF THE CONSOLE; FROM THE EDGE OF THE SEAT CUSHION TO THE REMOVABLE COVER PLATE.



SEE JCT BOX ASSY. 581038
FOR WIRING ASSISTANCE

SEE DETAIL E

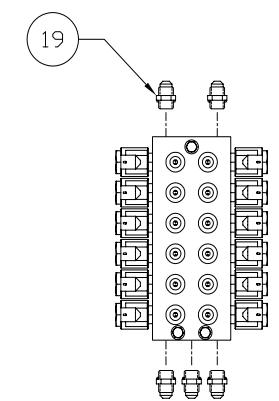
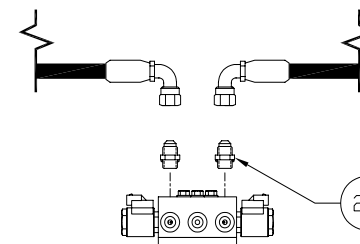
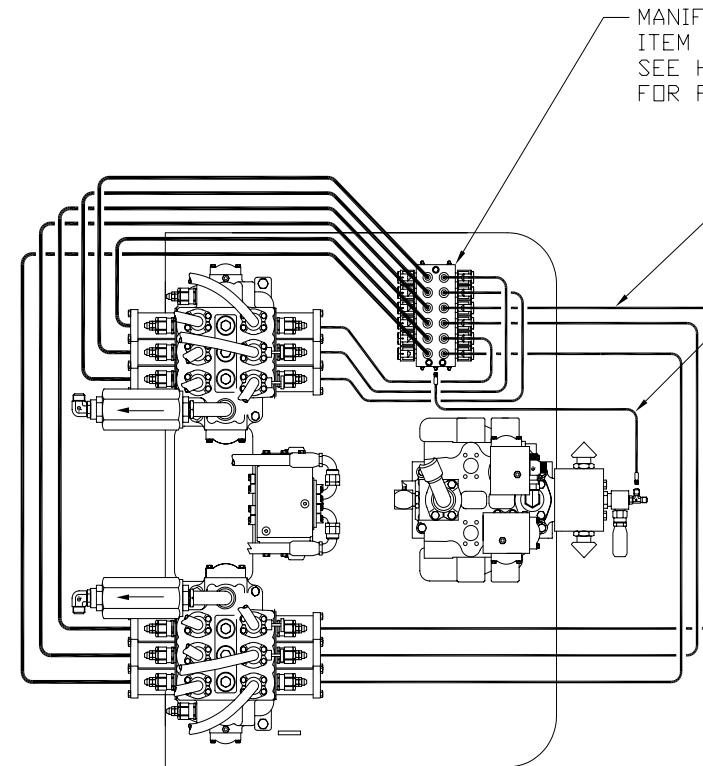
SEE DETAIL B



NOTE:

SOME HIDDEN LINES AND HOSES ARE
OMITTED FOR CLARITY.

CHASSIS TOP VIEW



DETAIL E
MANIFOLD ASSY.

VIEW F
MANIFOLD ASSY.