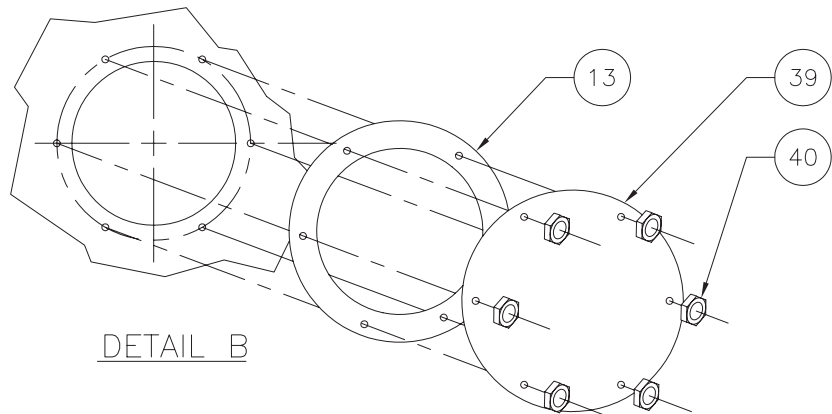
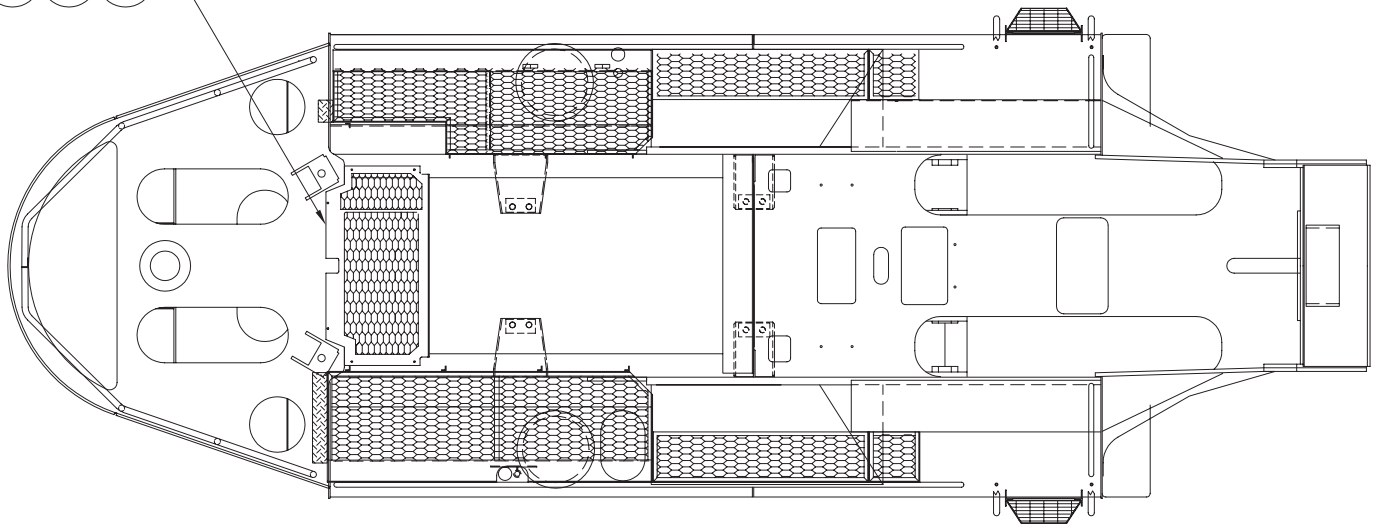
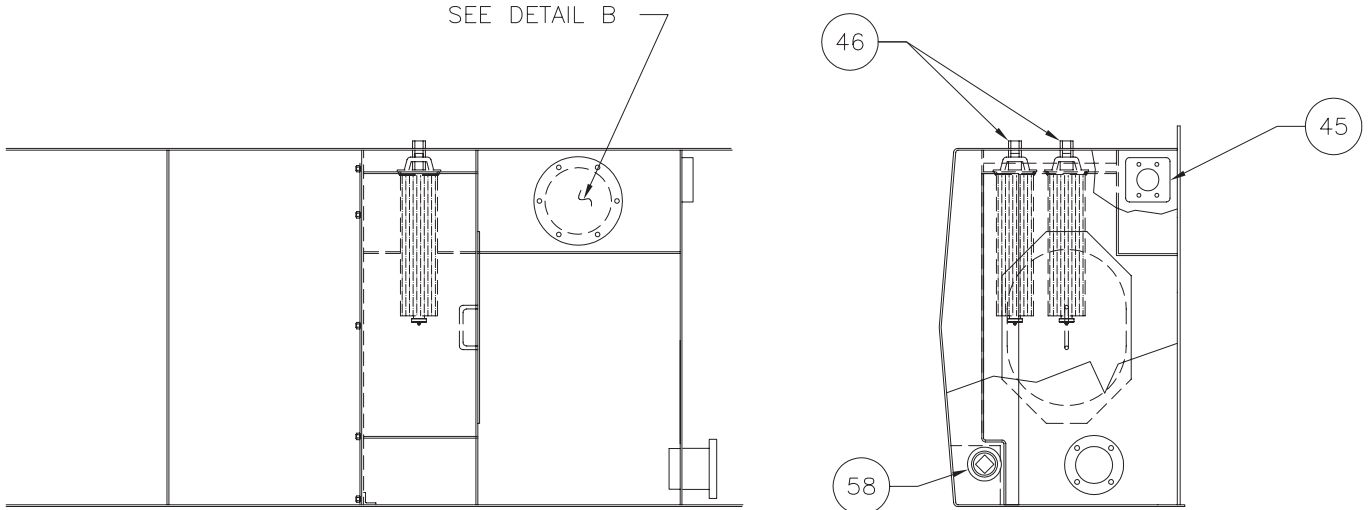

Chassis

134 133 132



SEE DETAIL B



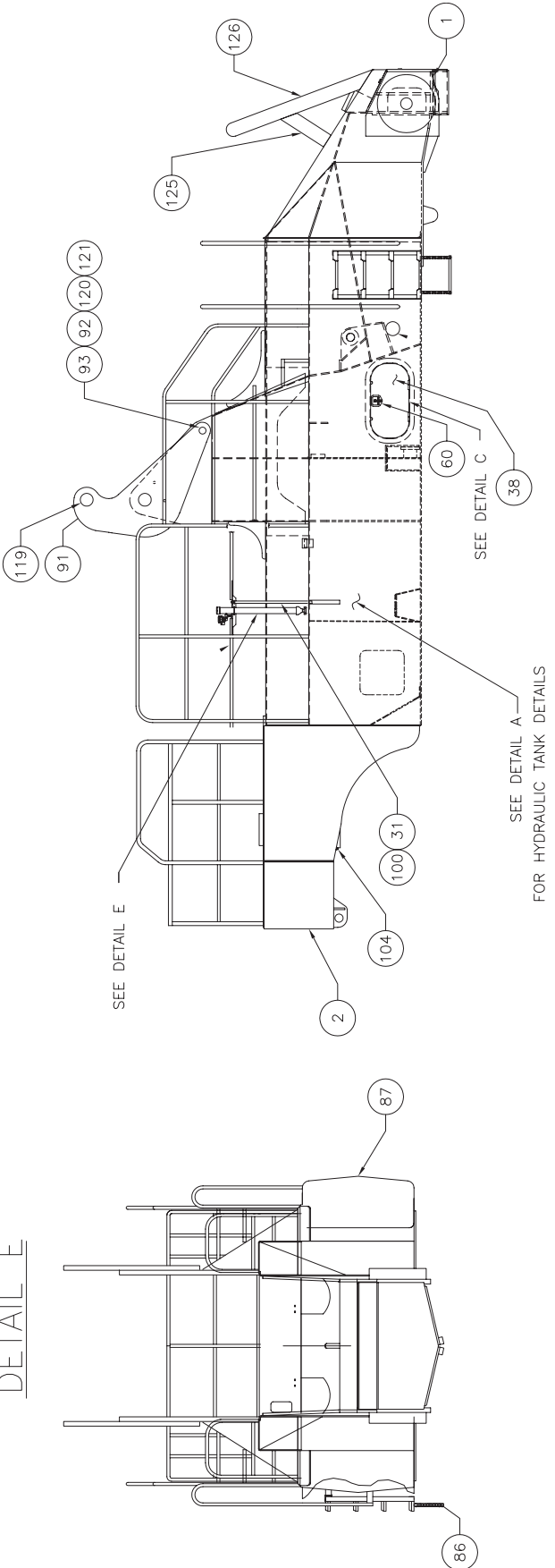
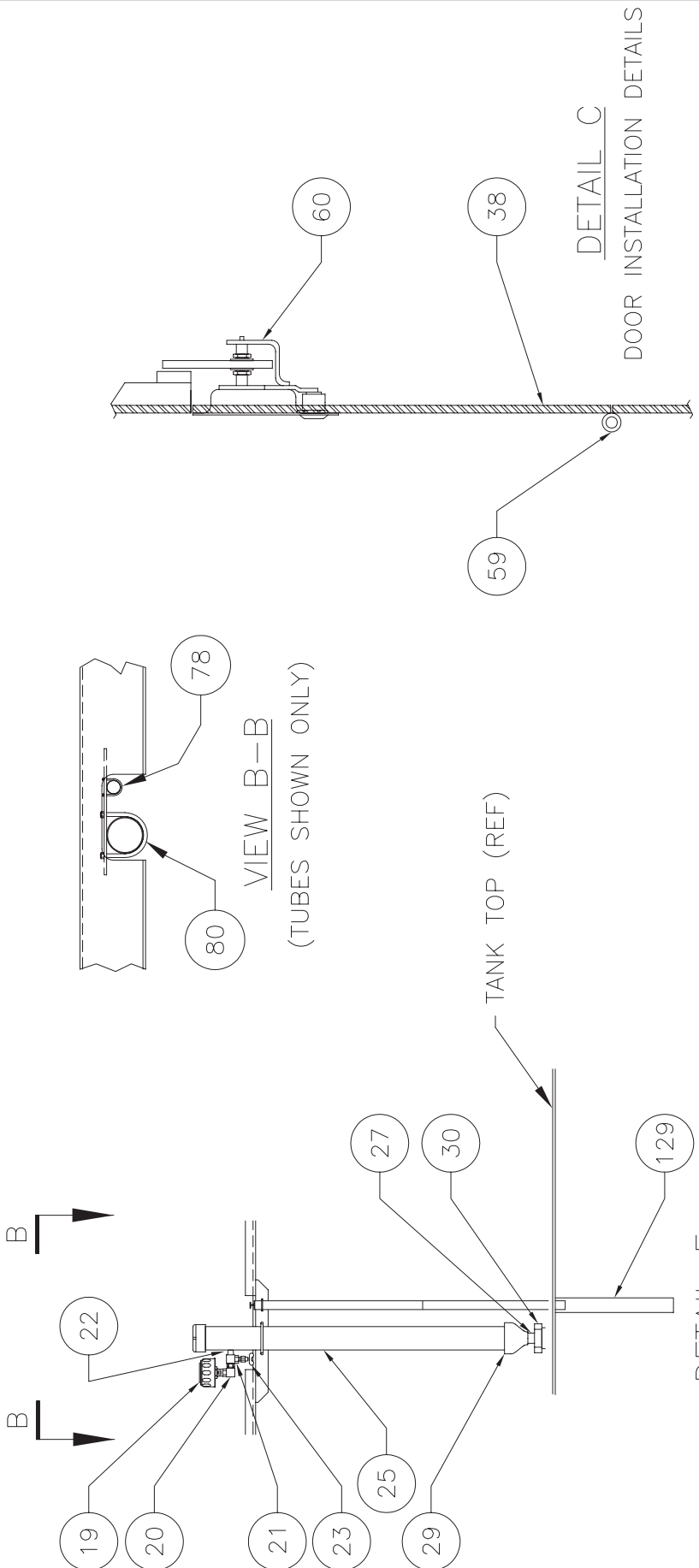
DETAIL A

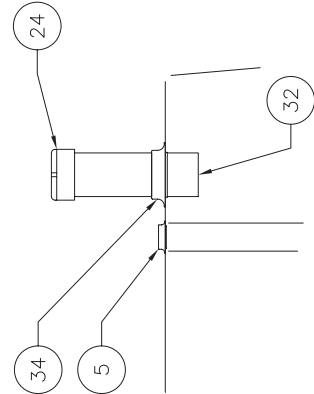
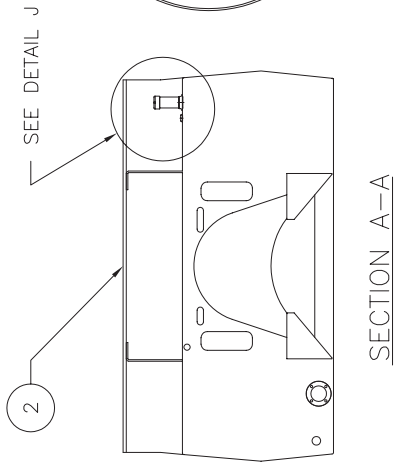
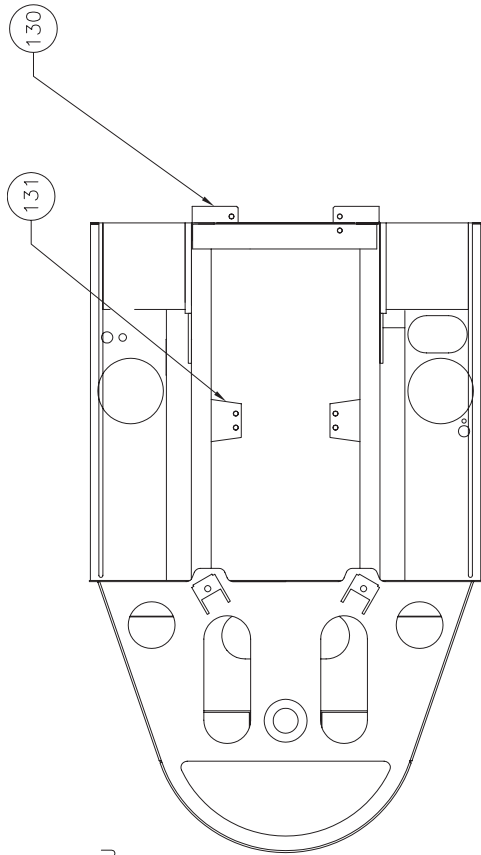
HYDRAULIC TANK & FILTERS

Chassis

| Item | Part No. | Qty | Description | Item | Part No. | Qty | Description |
|------|---------------|-----|------------------------|------|-----------|-----|----------------------------|
| | 580893 | | Chassis | | | | |
| 1 | 572546 | 1 | . Chassis | 71 | 00217219 | 42 | . Capscrew |
| 2 | 561153 | 1 | . Module Weldment | 72 | 201569 | 42 | . Flat Washer |
| 5 | 501187 | 1 | . Standpipe | 73 | 555064 | 2 | . Gasket |
| 13 | 563775 | 1 | . Gasket | 74 | 554443 | 2 | . Manhole Base |
| 19 | 224744 | 1 | . Filler Breather | 75 | 554445 | 2 | . Manhole Cover |
| 20 | 209181 | 1 | . Fitting | 78 | 504541 | 1 | . U-Bolt |
| 21 | 209159 | 1 | . Fitting | 80 | 234307 | 1 | . U-Bolt |
| 22 | 209505 | 1 | . Fitting | 87 | 563502 | 2 | . Fender |
| 23 | 211398 | 1 | . Draincock | 91 | 563265 | 2 | . Plate |
| 24 | 566931 | 1 | . Fuel Fill Weldment | 92 | 522957 | 2 | . Lock Collar |
| 25 | 571280 | 1 | . Fuel Fill Pipe | 93 | 563700 | 2 | . Stab Ear Pin |
| 27 | 221265 | 1 | . Nipple, Pipe | 100 | 562966 | 1 | . Dipstick |
| 29 | 227953 | 1 | . Fitting | 102 | *a 580721 | 1 | . Battery Box Installation |
| 30 | 237707 | 1 | . Return Line Strainer | 104 | 00191758 | 1 | . Fitting, Lube |
| 31 | 571646 | 1 | . Dipstick Tube | 119 | 565059 | 2 | . Bushing |
| 32 | 533706 | 1 | . Spacer | 120 | 219930 | 2 | . Nut |
| 38 | 560101 | 2 | . Tank Door | 121 | 231359 | 2 | . Flat Washer |
| 39 | 554150 | 1 | . Cover | 125 | 567152 | 2 | . Guard |
| 40 | 223654 | 17 | . Locknut | 126 | 567151 | 2 | . Guard |
| 45 | 563753 | 1 | . Manifold | 129 | 21580 | 1 | . Spacer |
| 46 | *a 224350 | 2 | . Filter Insert | 130 | 580947 | 2 | . Mounting |
| 58 | 227042 | 1 | . Fitting | 131 | 576666 | 2 | . Engine Mount |
| 59 | 551380 | 4 | . Hinge Assembly | 132 | 581215 | 1 | . Grate, Rear |
| 60 | 236307 | 2 | . Handle | 133 | 581221 | 1 | . Grate |
| 69 | 562468 | 1 | . Gasket | 134 | 523959 | 2 | . Hinge |
| 70 | 562469 | 1 | . Cover | | | | |

*a See Separate Coverage





SEE BATTERY BOX INSTALLATION
DWG (ITEM 102) FOR DETAILS

