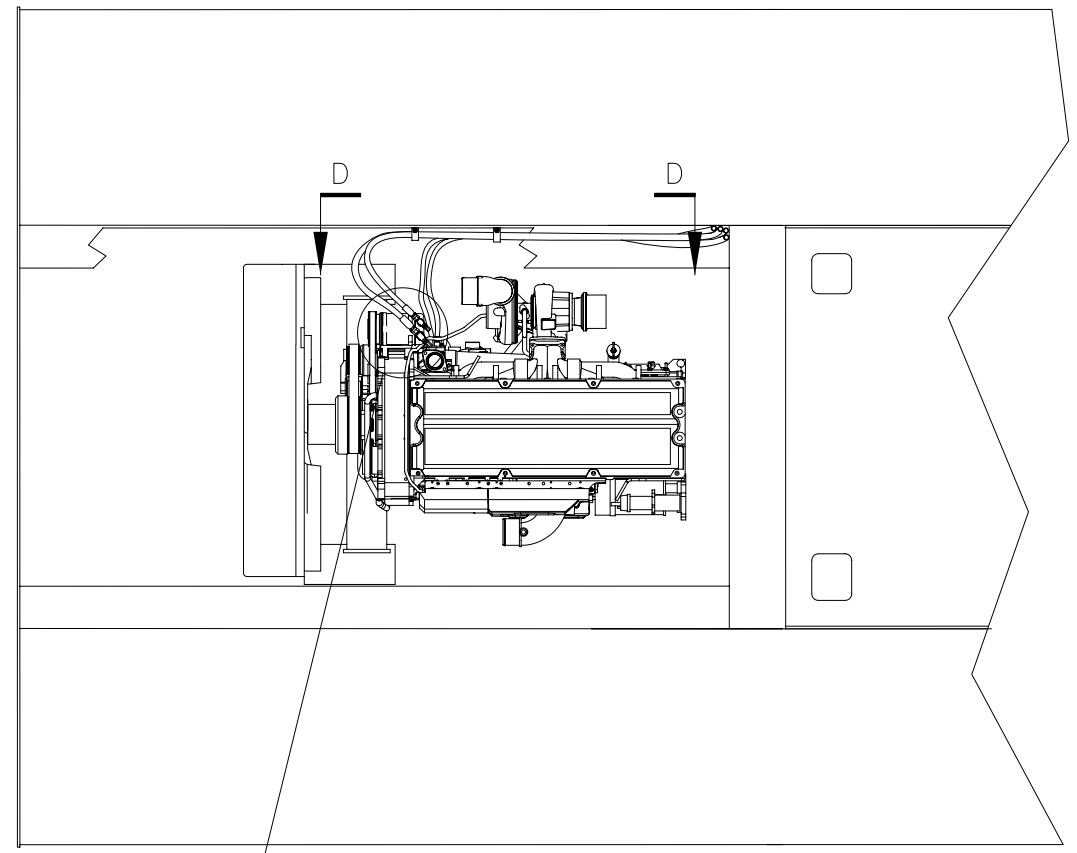
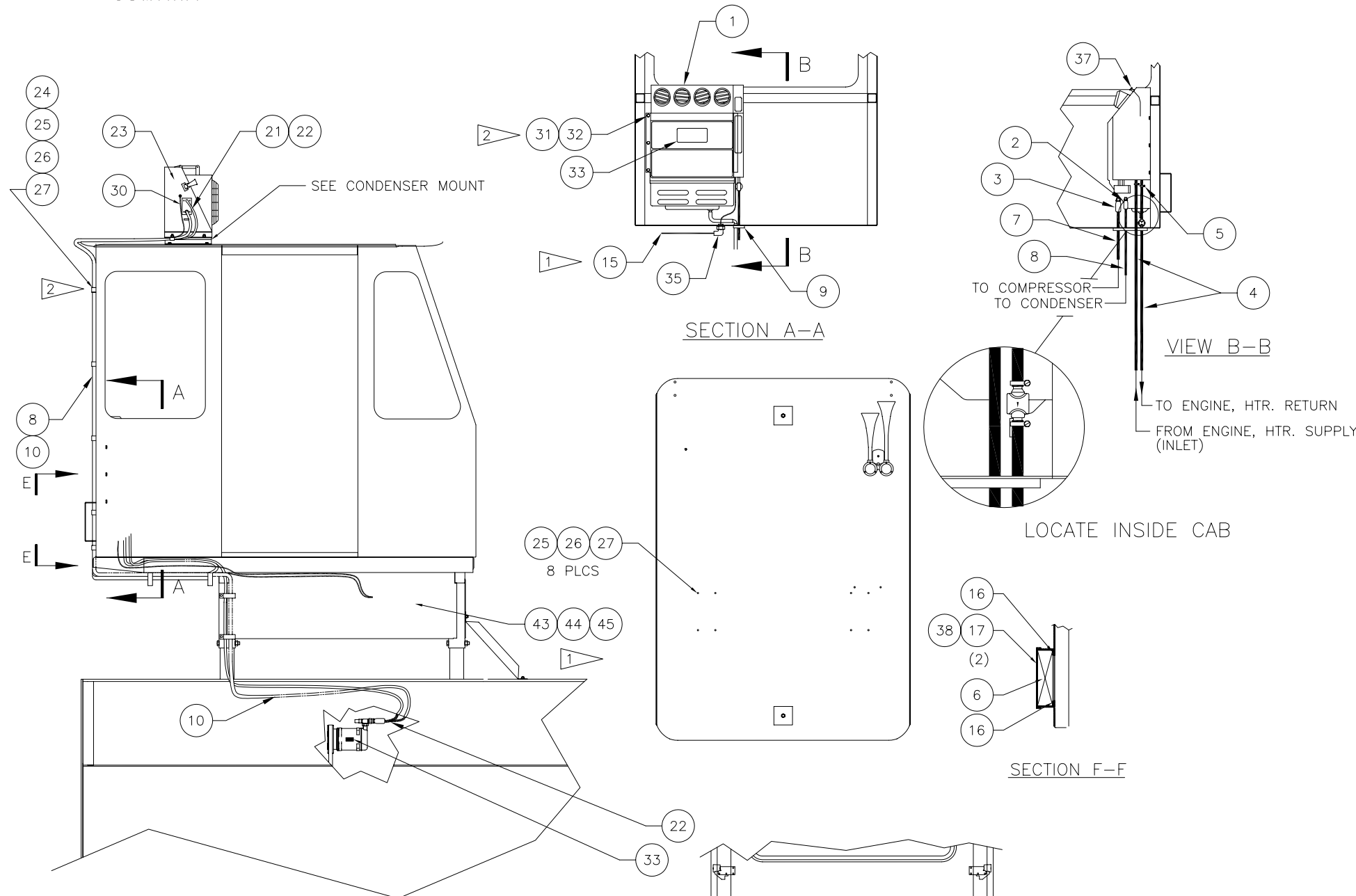

Air Conditioner/Heater Installation

Air Conditioner/Heater Installation

Item	Part No.	Qty	Description	Item	Part No.	Qty	Description
	580862		Air Conditioner/Heater Inst.				
1	* 238382	1	. Air Conditioner/Heater	25	223654	25	. Locknut
2	246864	1	. Hose End	26	223427	29	. Flat Washer
3	246865	1	. Hose End	27	222297	20	. Stud, Weld
4	203190	32'	. Hose, Heater	30	222403	27'	. Cord, SO
5	201431	7	. Hose Clamp	31	241059	2	. Insert
6	202947	1	. Hose Clamp	32	204389	8	. Seal
7	246859	21'	. Hose, Air Cond	33	572532	2	. Decal
8	246857	24'	. Hose, Air Cond	35	237557	1	. Connector, Cord
9	238385	1	. Gasket	36	239024	1	. Valve, Water
10	246858	12'	. Hose, Air Cond	37	215360	1	. Cable, Quick Start
13	R10572	1	. Fitting, Serv	38	580500	1	. Plate, Cover
14	R10571	1	. Fitting, A/C	39	R10664	1	. O-Ring
15	208788	15'	. Cord, SO	40	246860	1	. Hose End
16	231114	44"	. Weatherstrip	41	246861	1	. Hose End
17	R13811035	4	. Capscrew	42	R10663	1	. O-Ring
18	00179799	2	. Capscrew	43	232908	1	. Relay
21	246862	1	. Hose End	44	232909	1	. Relay Socket
22	246863	1	. Hose End	45	232910	1	. Relay Spring
23	* 240063	1	. A/C Condenser, Remote Mount				
24	209700	8	. Clamp				* See Separate Coverage



NOTE: INSTL. FOR CATERPILLAR C15

SYSTEM DESIGNED FOR REFRIGERANT 134A
USE REFRIGERANT OIL, P/N 238728,
FOR TOPPING OFF COMPRESSOR & HOSE ASSY.

- 1 REF. ELECTRICAL DIAG. ON M/S.
- 2 USE AS REQUIRED;

NOTE: INSTL. FOR CATERPILLAR C15

SYSTEM DESIGNED FOR REFRIGERANT 134A
USE REFRIGERANT OIL, P/N 238728,
FOR TOPPING OFF COMPRESSOR & HOSE ASSY.

