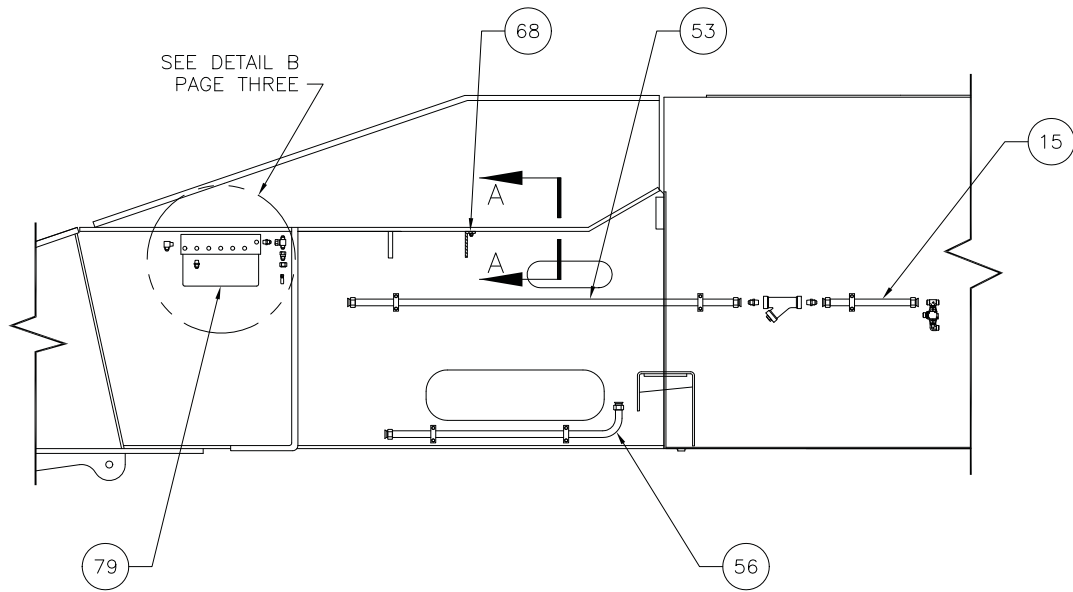
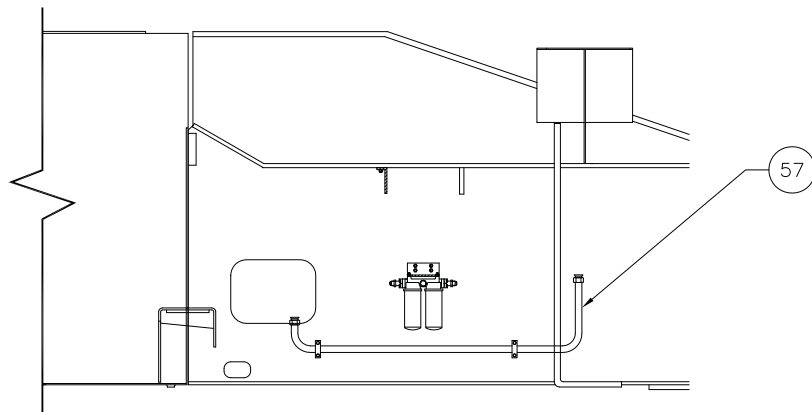


---

Transmission Circuit



REFERENCE VIEW  
CHASSIS-INSIDE R.H.

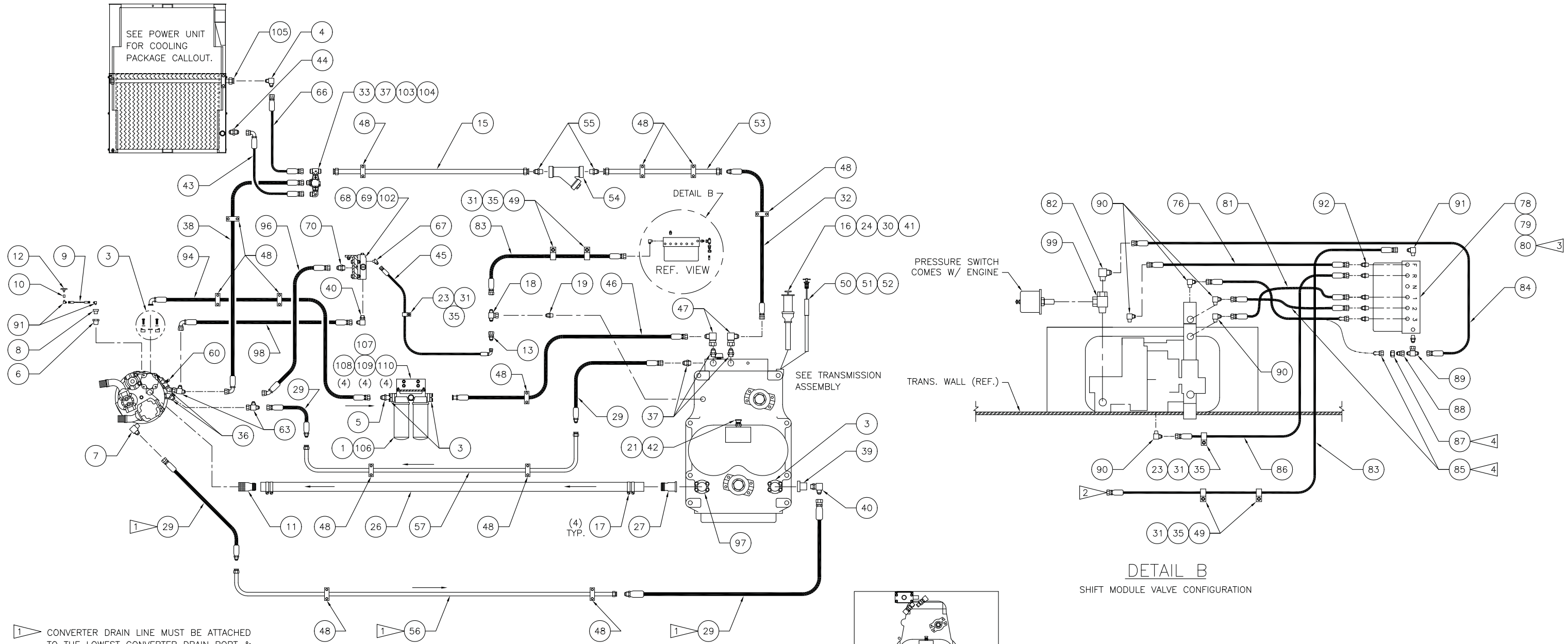


REFERENCE VIEW  
CHASSIS-INSIDE L.H.

## Transmission Circuit

| Item | Part No.      | Qty | Description                 | Item | Part No.  | Qty | Description         |
|------|---------------|-----|-----------------------------|------|-----------|-----|---------------------|
|      | <b>580843</b> |     | <b>Transmission Circuit</b> |      |           |     |                     |
| 1    | 584259        | 1   | . Filter Assembly           | 51   | 229257    | 1   | . Fitting           |
| 3    | 11767         | 4   | . Kit, Split Flange         | 52   | 564976    | 1   | . Nipple, Pipe      |
|      | 200604        | 4   | .. Washer                   | 53   | 580882    | 1   | . Tube Assembly     |
|      | 203516        | 1   | .. O-Ring                   | 54   | 232994    | 1   | . Strainer, Oil     |
|      | 209537        | 2   | .. Clamp Half               | 55   | 209191    | 2   | . Fitting           |
|      | 222379        | 4   | .. Capscrew                 | 56   | 580883    | 1   | . Tube Assembly     |
| 4    | 216027        | 1   | . Fitting                   | 57   | 580884    | 1   | . Tube Assembly     |
| 5    | 14248         | 1   | . Fitting                   | 60   | 249575    | 1   | . Switch, Pressure  |
| 6    | 209510        | 1   | . Fitting                   | 63   | 214130    | 2   | . Fitting           |
| 7    | 209420        | 1   | . Fitting                   | 66   | 245587    | 1   | . Hose Assembly     |
| 8    | 240734        | 1   | . Check Valve               | 67   | 209794    | 1   | . Fitting           |
| 9    | 250128        | 1   | . Hose Assembly             | 68   | 562751    | 1   | . Bracket           |
| 10   | R13803988     | 1   | . Fitting                   | 69   | 228640    | 1   | . Converter         |
| 11   | 230466        | 1   | . Fitting                   | 70   | 209619    | 1   | . Fitting           |
| 12   | 240733        | 1   | . Breather, Air             | 76   | 208466    | 1   | . Hose Assembly     |
| 13   | 226904        | 1   | . Fitting                   | 78   | 232054    | 4   | . Capscrew          |
| 15   | 580881        | 1   | . Tube Assembly             | 79   | * 578293  | 1   | . Module , Valve    |
| 16   | 521873        | 1   | . Pipe                      | 80   | 567040    | 1   | . Bracket, Solenoid |
| 17   | 206289        | 4   | . Hose Clamp                | 81   | 226750    | 1   | . Hose Assembly     |
| 18   | 211367        | 1   | . Fitting                   | 82   | 209409    | 1   | . Fitting           |
| 19   | 209757        | 1   | . Fitting                   | 83   | 250167    | 1   | . Hose Assembly     |
| 21   | 209505        | 1   | . Fitting                   | 84   | 20790     | 1   | . Hose Assembly     |
| 23   | 209588        | 1   | . Clip, Insul               | 85   | 12749     | 2   | . Hose Assembly     |
| 24   | 225024        | 1   | . Nipple, Pipe              | 86   | 237474    | 1   | . Hose Assembly     |
| 26   | 201439        | 5'  | . Suction Hose              | 87   | 212097    | 1   | . Fitting           |
| 27   | 218815        | 1   | . Fitting                   | 88   | 11906     | 1   | . Fitting           |
| 29   | 241016        | 4   | . Hose Assembly             | 89   | 23578     | 1   | . Fitting           |
| 30   | 208202        | 1   | . Fuel Cap                  | 90   | 209405    | 5   | . Fitting           |
| 31   | 223654        | 3   | . Locknut                   | 91   | 209411    | 1   | . Fitting           |
| 32   | 250162        | 1   | . Hose Assembly             | 92   | 209750    | 6   | . Fitting           |
| 33   | 214129        | 1   | . Fitting                   | 94   | 250166    | 1   | . Hose Assembly     |
| 35   | 222598        | 3   | . Washer                    | 96   | 250164    | 1   | . Hose Assembly     |
| 36   | 209167        | 2   | . Fitting                   | 97   | 12721     | 1   | . Kit, Split Flange |
| 37   | 210011        | 5   | . Fitting                   |      | 200604    | 4   | .. Washer           |
| 38   | 245835        | 1   | . Hose Assembly             |      | 203519    | 1   | .. O-Ring           |
| 39   | 506618        | 1   | . Flange                    |      | 209538    | 2   | .. Clamp Half       |
| 40   | 209714        | 2   | . Fitting                   |      | 222379    | 4   | .. Capscrew         |
| 41   | 209964        | 1   | . Fitting                   | 98   | 250163    | 1   | . Hose Assembly     |
| 42   | R238535       | 1   | . Breather                  | 99   | 225105    | 1   | . Fitting           |
| 43   | 250121        | 1   | . Hose Assembly             | 102  | R13032    | 2   | . Capscrew          |
| 44   | 209443        | 1   | . Fitting                   | 103  | 246928    | 1   | . Valve, Bypass     |
| 45   | R11446        | 1   | . Hose Assembly             | 104  | 221140    | 1   | . Fitting           |
| 46   | 250165        | 1   | . Hose Assembly             | 105  | 580441    | 1   | . Tube Assembly     |
| 47   | 210084        | 2   | . Fitting                   | 106  | 247429    | 2   | . Element           |
| 48   | 224347        | 12  | . Clamp                     | 107  | 580324    | 1   | . Bracket           |
| 49   | 209696        | 2   | . Clamp                     | 108  | Y17C-0616 | 4   | . Capscrew          |
| 50   | 564977        | 1   | . Dipstick Assembly         | 109  | 230282    | 4   | . Flat Washer       |
|      |               |     |                             | 110  | 225611    | 4   | . Lockwasher        |

\* See Separate Coverage



1 CONVERTER DRAIN LINE MUST BE ATTACHED TO THE LOWEST CONVERTER DRAIN PORT & HAVE A CONTINUING SLOP TO THE TRANS.

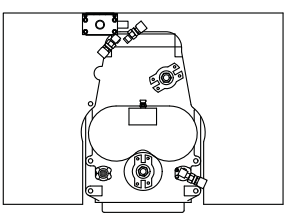
NOTE: THIS DIAGRAM IS FOR UNITS USING STD. HOSE WITH CAT 3406 ENGINE, CLARK 6000 TRANS. & 8000 CONVERTER WITH OUT LOCK UP.

SEE INSTRUMENT PANEL ASSY. FOR CONTINUATION OF CIRCUIT.

2 ATTACHES TO BUBBLE #18, SEE SHEET ONE.

3 SEE ANSI ELECTRICAL DIAGRAM FOR WIRE CONNECTIONS.

4 PLUMB AS SHOWN FOR STANDARD 4 SPEED RANGE. CAP PORT #3 AND PLUMB TO PRESSURE FOR OPTIONAL FOURTH GEAR LOCK OUT.



VIEW A-A  
BYPASS REG. BRACKET LOCATION