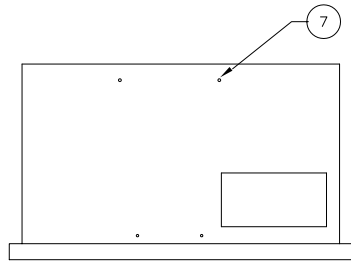
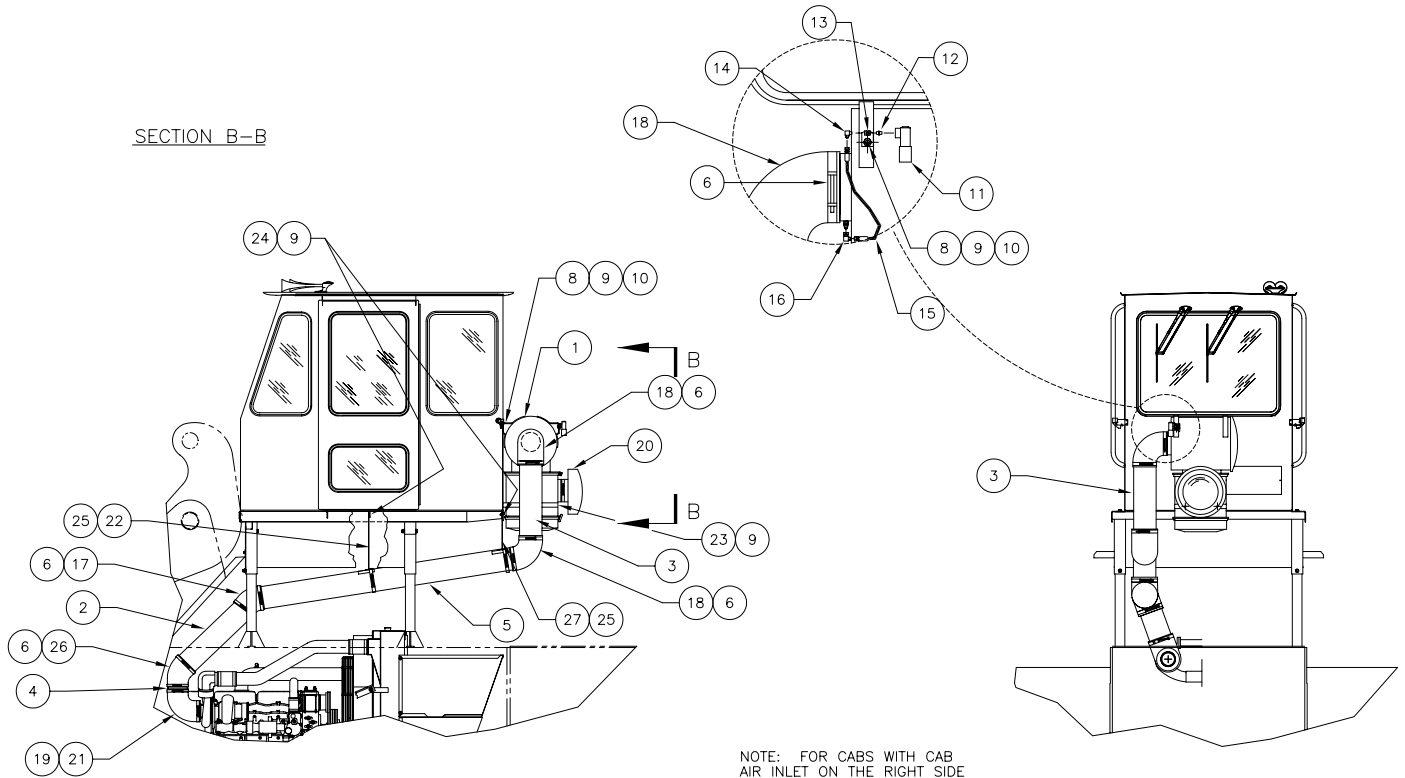


Air Cleaner Installation



SECTION B-B



NOTE: FOR CABS WITH CAB AIR INLET ON THE RIGHT SIDE

Item	Part No.	Qty	Description	Item	Part No.	Qty	Description
<b>580856 Air Cleaner Installation</b>							
1	* 224214	1	. Air Cleaner	16	225132	1	. Fitting
2	581212	1	. Tube	17	224226	1	. Elbow
3	581211	1	. Tube	18	208234	2	. Elbow
4	580432	1	. Tube	19	224641	3	. T-Bolt Clamp
5	581213	1	. Tube	20	211601	1	. Air Inlet Hood
6	210631	8	. T-Bolt Clamp	21	215733	1	. Elbow
7	241059	4	. Insert	22	580561	1	. Bracket Weldment
8	222600	5	. Capscrew	23	205274	1	. Band, Mounting
9	223654	6	. Locknut	24	236572	1	. Stud, Weld
10	201570	5	. Spring Washer	25	216609	2	. T-Bolt Clamp
11	208136	1	. Indicator	26	228425	1	. Elbow
12	208137	1	. Filter, Restriction	27	580559	1	. Bracket Weldment
13	508790	1	. Bracket Assembly				
14	209317	1	. Fitting				
15	207856	1	. Hose Assembly				

\* See Separate Coverage