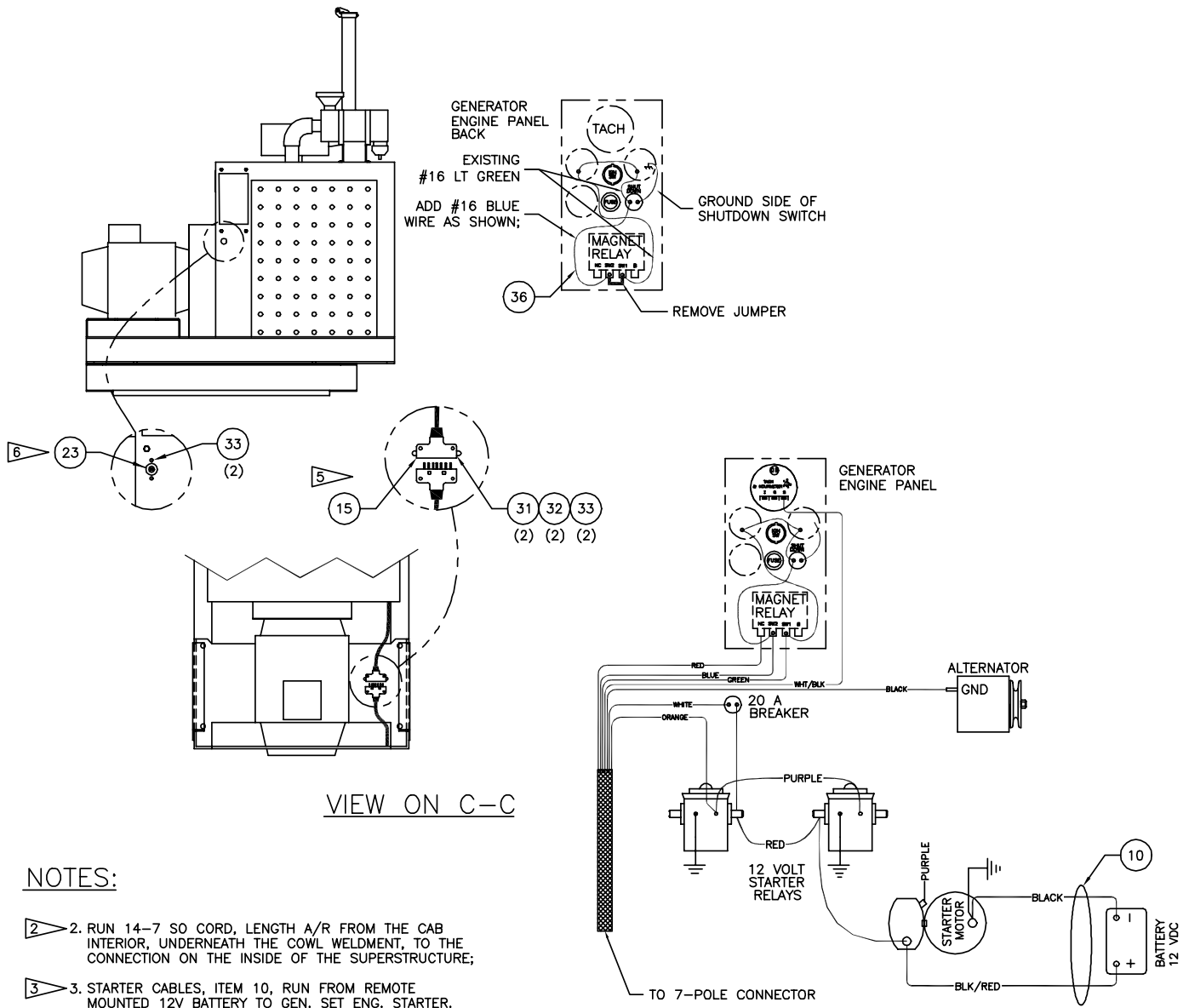

Electrical Assy, Generator Start



NOTES:

- 2. RUN 14-7 SO CORD, LENGTH A/R FROM THE CAB INTERIOR, UNDERNEATH THE COWL WELDMENT, TO THE CONNECTION ON THE INSIDE OF THE SUPERSTRUCTURE;
- 3. STARTER CABLES, ITEM 10, RUN FROM REMOTE MOUNTED 12V BATTERY TO GEN. SET ENG. STARTER.
- 4. CLAMP IS ATTACHED TO SIDE OF ENGINE BLOCK
- 5. ITEM 14, SEE ELECT. SCHEM. P/N 580740
- 6. PANEL MOUNT CIRCUIT BREAKER ON GEN SET STARTING PANEL;

Electrical Assy, Generator Start

Item	Part No.	Qty	Description	Item	Part No.	Qty	Description
	580739		Electrical Assy, Generator Start				
1	235381	1	. Relay, Magnetic	21	569800	1	. Legend Plate
2	207155	1	. Switch, Ignition W/Keys	22	569794	1	. Legend Plate
3	249962	1	. Tachometer	23	R13664	1	. Circuit Breaker
4	29103	34'	. Cord, So	24	249957	1	. Connector
5	246932	1	. Fuse Holder	25	249958	1	. Connector
6	232619	1'	. Tube, Ht/Srk	26	244448	1	. Fuse
7	225221	1'	. Tube, Ht/Srk	27	220579	1	. Connector, Cord
8	200247	16	. Terminal Ring	28	221468	8	. Stud
9	221965	1	. Terminal	29	00103341	8	. Washer
10	580824	1	. Starter Cables Assembly	30	223654	8	. Nut
11	569748	1	. Switch, Starter	31	241849	4	. Capscrew
12	569749	1	. Spacer	32	R13122	4	. Washer
13	200363	1	. Button Plate	33	224191	6	. Nut
14	* 580740	1	. Electrical Schematic, Gen Set	34	220057	1	. Ring Nut
15	580746	1	. Loom Assembly	35	209589	8	. Clamp
16	233466	1	. Capscrew	36	237627	2'	. Wire
18	571916	1	. Plate, Console	37	250149	1	. Switch, Engine Stop
19	230521	3	. Capscrew				
20	00103339	3	. Washer				* See Separate Coverage

