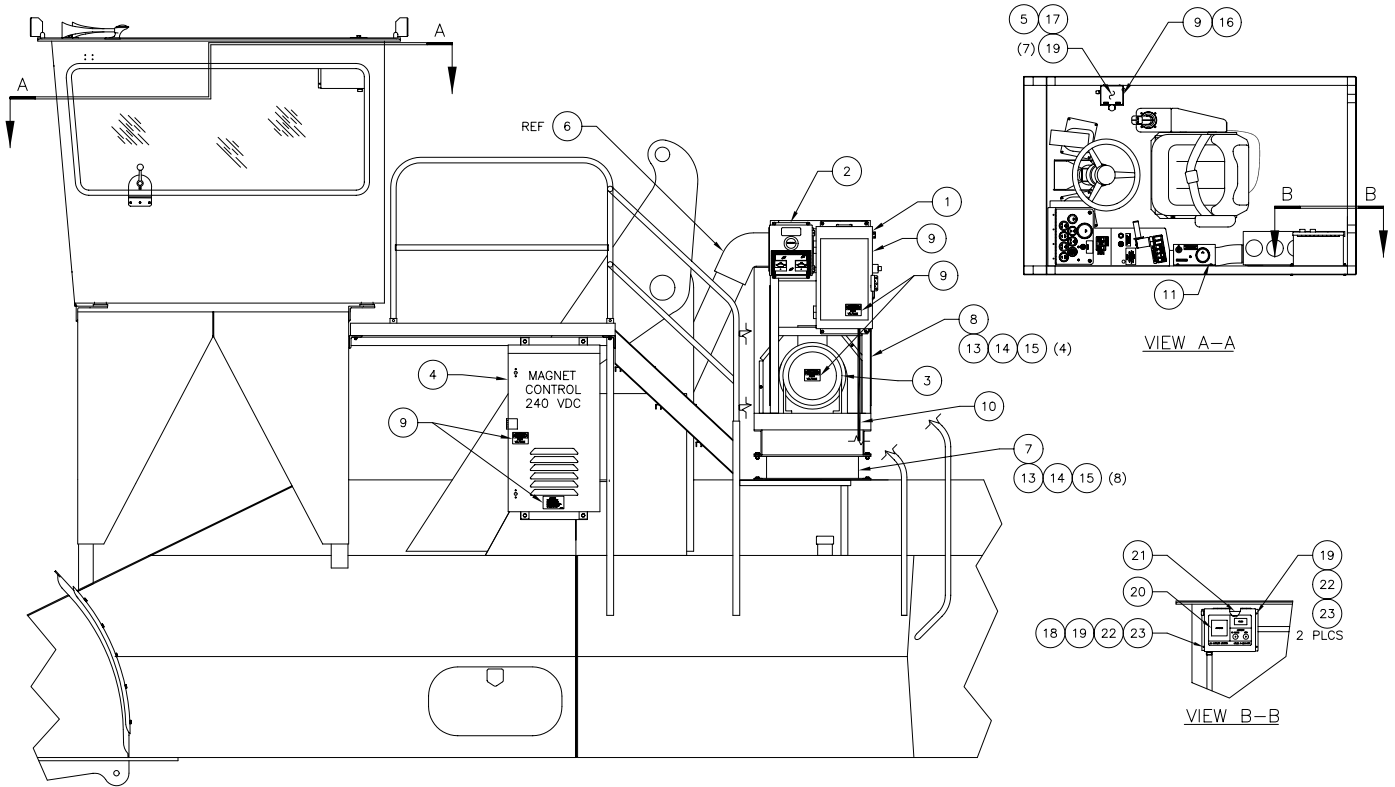


Generator & Magnet Set Installation



| Item | Part No. | Qty | Description | Item | Part No. | Qty | Description |
|------|---------------|-----|---|------|----------|-----|-----------------------|
| | 580710 | | Generator & Magnet Set Instl | | | | |
| 1 | 580720 | 1 | . Switch, Disconnect | 14 | 201569 | 10 | . Washer |
| 2 | 580719 | 1 | . Panel, Meter | 15 | 224202 | 10 | . Nut |
| 3 | 575971 | 1 | . Generator Set | 16 | 569762 | 1 | . Legend Plate |
| 4 | 580708 | 1 | . Magnet Control | 17 | 571920 | 1 | . Bracket |
| 5 | 571919 | 1 | . Switch, Master | 18 | 568073 | 1 | . Tube, Spacer |
| 7 | 580711 | 2 | . Mounting | 19 | 00103339 | 10 | . Washer |
| 8 | 569693 | 1 | . Frame, Control Mounting | 20 | 580722 | 1 | . Box, Magnet Monitor |
| 9 | 569727 | 1 | . Warning/Inst Plate List | 21 | 576005 | 1 | . Tube |
| 10 | * 580725 | 1 | . Electrical Assembly, Magnet | 22 | 224209 | 3 | . Nut |
| 11 | * 580739 | 1 | . Electrical Assy, Generator Start | 23 | 234865 | 3 | . Capscrew |
| 12 | * 580726 | 1 | . Field Assembly Instructions | | | | |
| 13 | 201618 | 10 | . Capscrew | | | | |

* See Separate Coverage