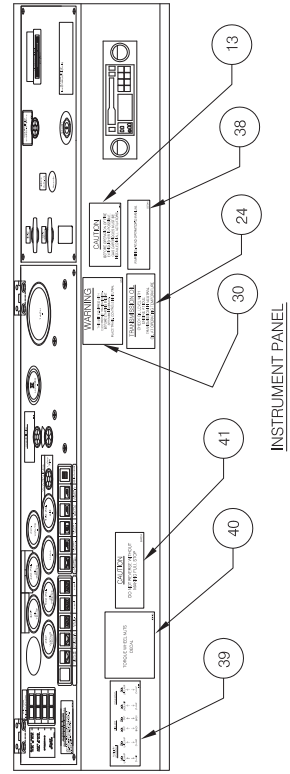
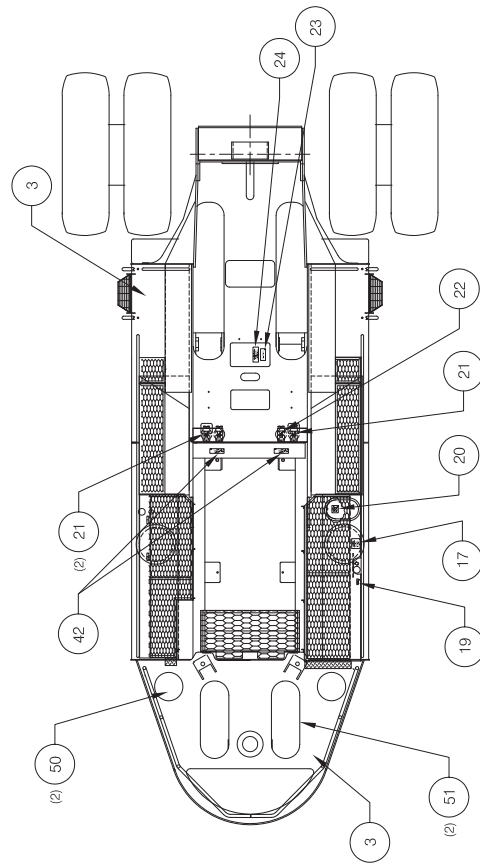
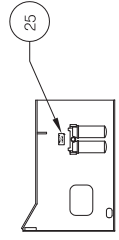
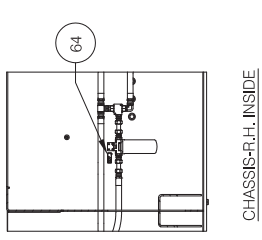
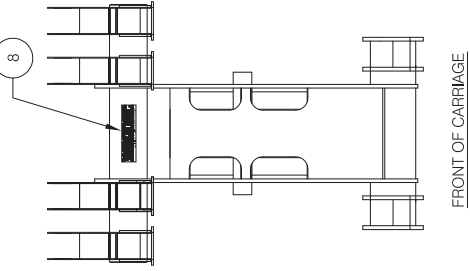
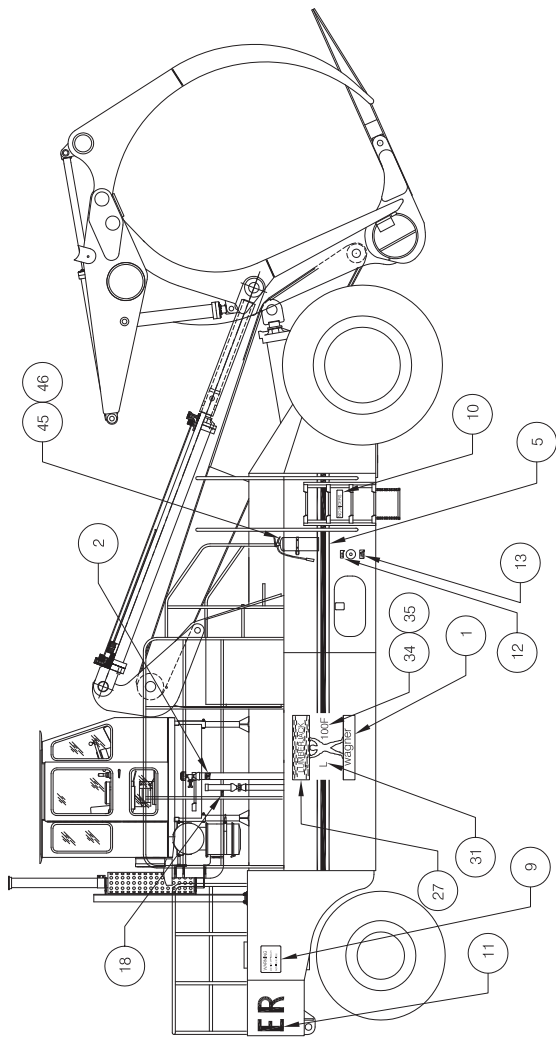

Decal Locations



Decal Locations

Item	Part No.	Qty	Description	Item	Part No.	Qty	Description
	580691		Decal Locations				
1	558504	2	. Decal	25	579532	1	. Decal
2	557352	1	. Decal	27	523145	2	. Decal
3	219382	A/R	. Tape, Non-Skid	29	557494	1	. Decal
5	529474	50'	. Decal	30	505158	1	. Decal
6	563640	1	. Decal	31	565935	2	. Decal
7	504195	1	. Nameplate	34	565931	2	. Decal
8	558506	1	. Decal	35	573096	2	. Decal
9	547451	2	. Decal	36	*a*b 509574	1	. Kit, Air Hose
10	547453	2	. Decal	37	563641	1	. Decal
11	558505	1	. Decal	38	557341	1	. Decal
12	539197	2	. Decal	39	570635	1	. Decal
13	539226	2	. Decal	40	505159	1	. Decal
14	243014	1	. Chart,Lube	41	504204	1	. Decal
15	558098	1	. Plate	42	560278	2	. Decal
16	*a 243274	1	. Valve, Hi-Press	45	212052	1	. Fire Extinguisher
17	560276	1	. Decal	46	212209	1	. Bracket, Mounting
18	504197	1	. Nameplate	50	516699	2	. Plate, Cover
19	561918	1	. Decal	51	541869	2	. Plate, Cover
20	557353	1	. Decal	53	*a 558533	1	. Wrench, Fire Extinguisher
21	563357	3	. Decal	54	*a 206745	2	. Adapter
22	563356	1	. Decal	55	*a 228041	1	. Coupler, Fem
23	557118	1	. Decal	56	*a 214203	1	. Gauge
24	528880	2	. Decal	57	*a 537788	1	. Wrench, Spindle Nut
				64	583564	1	. Decal

A/R As Required.

*a Not Illustrated. Items Included in Toolbox.

*b See Separate Coverage.

