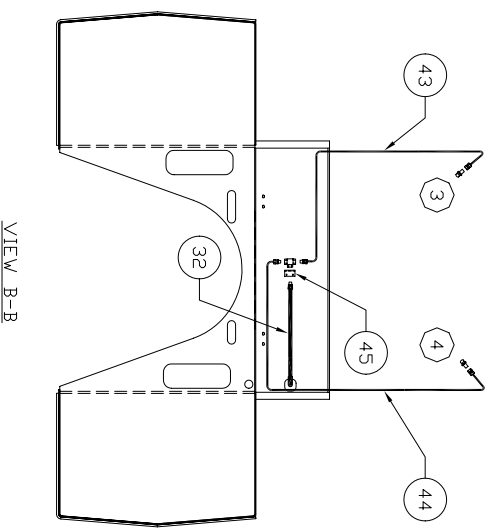
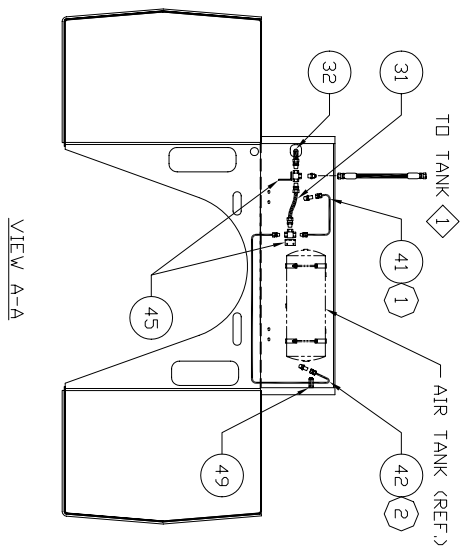
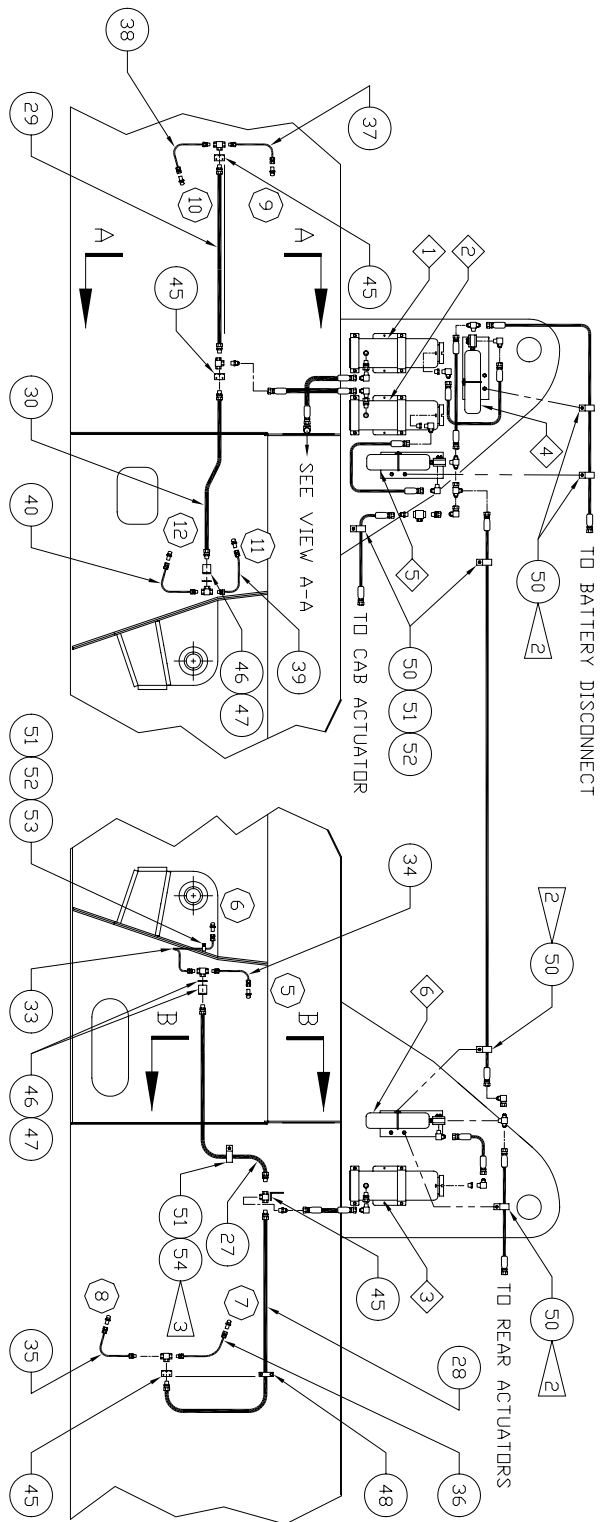
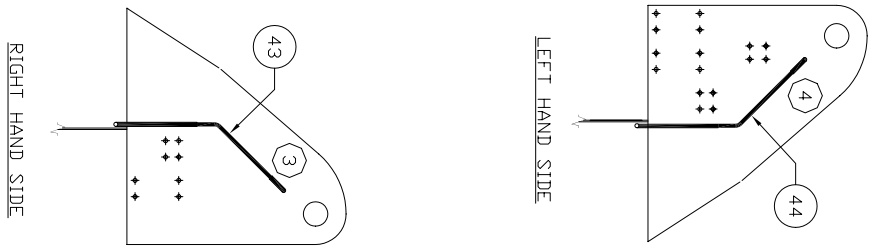

Fire Suppression System

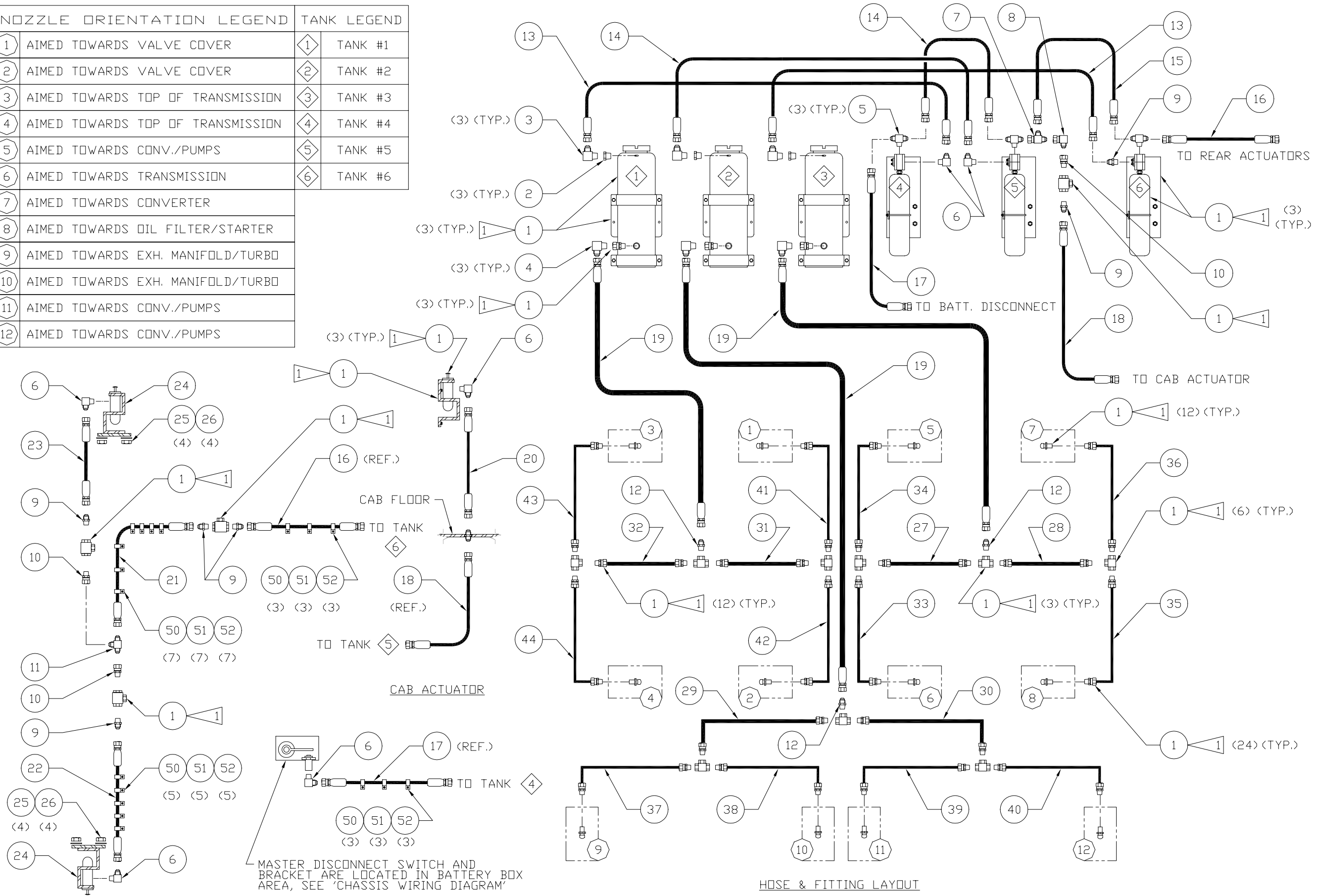


- 3 SECURE ITEM 54 BY USING BOLT FROM CLAMP P.N. 224347 (NOT SHOWN).
- 2 USE NUT AND WASHER FROM AFEX ACTUATOR BRACKET.

Fire Suppression System

Item	Part No.	Qty	Description	Item	Part No.	Qty	Description
	580597		Fire Suppression System				
1	* 249813	1	. Kit, Fire Suppression	29	580827	1	. Tube
2	12930006	3	. Fitting	30	580828	1	. Tube, Fire Suppression
3	209920	3	. Fitting	31	580829	1	. Tube, Fire Suppression
4	209417	3	. Fitting	32	580830	1	. Tube, Fire Suppression
5	209451	3	. Fitting	33	580831	1	. Tube, Fire Suppression
6	209406	6	. Fitting	34	580832	1	. Tube, Fire Suppression
7	213883	1	. Fitting	35	580833	1	. Tube, Fire Suppression
8	212718	1	. Fitting	36	580834	1	. Tube, Fire Suppression
9	209752	6	. Fitting	37	580835	1	. Tube, Fire Suppression
10	12786	3	. Fitting	38	580836	1	. Tube, Fire Suppression
11	215076	1	. Fitting	39	580837	1	. Tube, Fire Suppression
12	209759	3	. Fitting	40	580838	1	. Tube, Fire Suppression
13	216477	2	. Hose Assembly	41	580839	1	. Tube, Fire Suppression
14	217146	2	. Hose Assembly	42	580840	1	. Tube, Fire Suppression
15	216479	1	. Hose Assembly	43	580841	1	. Tube, Fire Suppression
16	216457	1	. Hose Assembly	44	580842	1	. Tube, Fire Suppression
17	227770	1	. Hose Assembly	45	580779	7	. Bracket
18	216458	1	. Hose Assembly	46	580768	2	. Bar
19	232986	3	. Hose Assembly	47	249975	2	. Washer
20	234111	1	. Hose Assembly	48	231633	1	. Clamp
21	217431	1	. Hose Assembly	49	228987	1	. Clamp
22	234110	1	. Hose Assembly	50	209579	24	. Clamp
23	216774	1	. Hose Assembly	51	201570	22	. Washer
24	580784	2	. End Plate	52	223654	21	. Nut
25	00103339	8	. Washer	53	209578	1	. Clamp
26	224209	8	. Nut	54	209589	1	. Clamp
27	580825	1	. Tube, Fire Suppression				
28	580826	1	. Tube, Fire Suppression				* See Separate Coverage

NOZZLE ORIENTATION LEGEND		TANK LEGEND	
1	AIMED TOWARDS VALVE COVER	1	TANK #1
2	AIMED TOWARDS VALVE COVER	2	TANK #2
3	AIMED TOWARDS TOP OF TRANSMISSION	3	TANK #3
4	AIMED TOWARDS TOP OF TRANSMISSION	4	TANK #4
5	AIMED TOWARDS CONV./PUMPS	5	TANK #5
6	AIMED TOWARDS TRANSMISSION	6	TANK #6
7	AIMED TOWARDS CONVERTER		
8	AIMED TOWARDS OIL FILTER/STARTER		
9	AIMED TOWARDS EXH. MANIFOLD/TURBO		
10	AIMED TOWARDS EXH. MANIFOLD/TURBO		
11	AIMED TOWARDS CONV./PUMPS		
12	AIMED TOWARDS CONV./PUMPS		



MASTER DISCONNECT SWITCH AND BRACKET ARE LOCATED IN BATTERY BOX AREA, SEE 'CHASSIS WIRING DIAGRAM'

HOSE & FITTING LAYOUT

1 INCLUDED IN AFEX FIRE SUPPRESSION KIT, P.N. 249813.

REAR ACTUATORS

BATTERY DISCONNECT