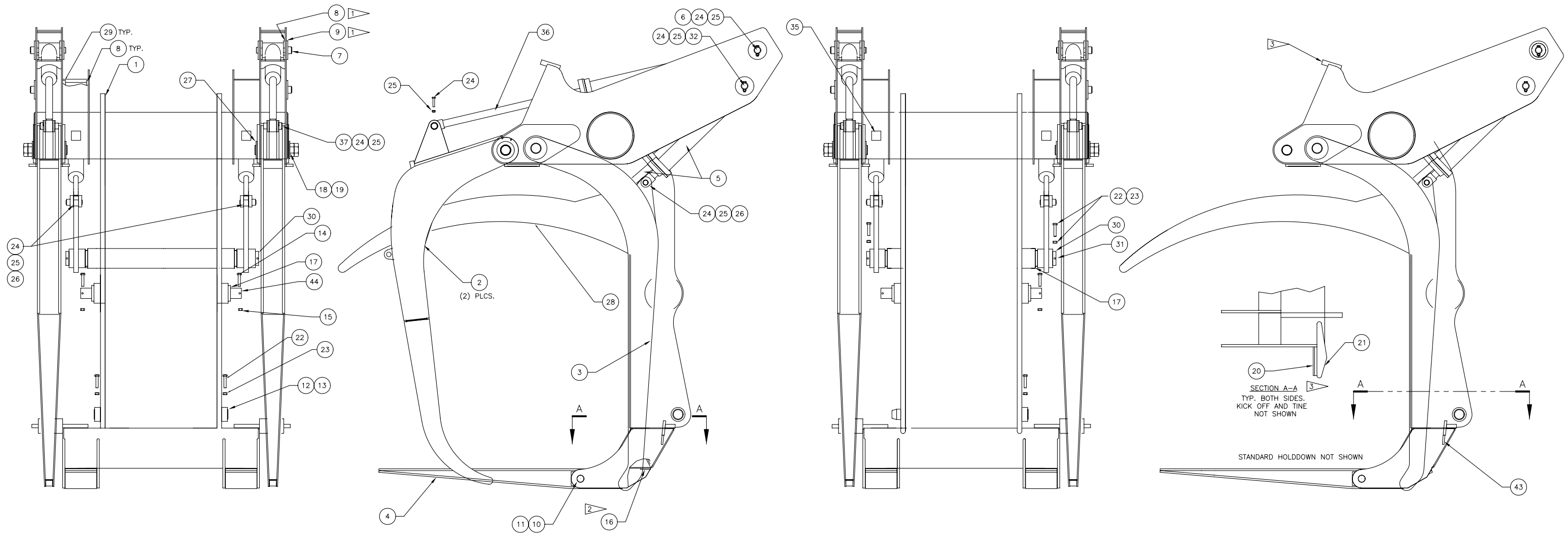

Carriage Assembly

Carriage Assembly

Item	Part No.	Qty	Description	Item	Part No.	Qty	Description
	580533		Carriage Assembly				
1	580534	1	. Carriage	20	579617	2	. Plate, Stop
2	580728	2	. Holddwn Assembly	21	573728	2	. Plate, Stop
3	574516	2	. Kickoff Assembly	22	219886	5	. Capscrew
	501571	1	. . Bushing	23	230897	5	. Nut, Esna
	534117	2	. . Bushing	24	231625	6	. Capscrew
4	526133	2	. Tine	25	224202	6	. Nut, Esna
5	* 526164	4	. Cylinder Assembly	26	541616	4	. Pin
6	500418	2	. Pin	27	562555	4	. Spacer Plate
7	508552	5	. Lock Collar	28	579446	1	. Holddown Assembly, Aux LH
8	573718	10	. Boss	29	577544	2	. Boss
9	573813	8	. Boss	30	527760	2	. Lock Collar
10	526294	2	. Pin Assembly	31	580537	1	. Pin
11	220275	2	. Cotter Pin	32	577515	2	. Pin
12	523107	1	. Pin	35	577717	2	. Platestop
13	523108	1	. Lock Collar	36	* 574867	2	. Cylinder Assembly
14	09429820	2	. Capscrew	37	505841	2	. Pin
15	220918	2	. Nut, Esna	38	579464	1	. Holddown Assembly, Aux RH
16	519440	2	. Plate	43	563503	2	. Plate, KO Stop
17	519324	4	. Bush	44	537642	1	. Pin
18	573783	4	. Pin Assembly				
19	219928	8	. Jam Nut				* See Separate Coverage



1 USE ITEM 8 & 9 IN ANY ORDER TO OBTAIN 9 WIDTH BETWEEN SIDE PLATES. ITEM 8 TO BE CONCENTRIC WITH ITEM 9 WITHIN .001

2 ADD SHIMS IF NEEDED TO LEVEL TINES WITH EACH OTHER. WELD SHIM IN BETWEEN ITEM 1 AND ITEM 16.

3 POSITION WITH .125 CYLINDER STEM EXTENSION

SECTION A-A
TYP. BOTH SIDES.
KICK OFF AND TINE
NOT SHOWN

STANDARD HOLDDOWN NOT SHOWN