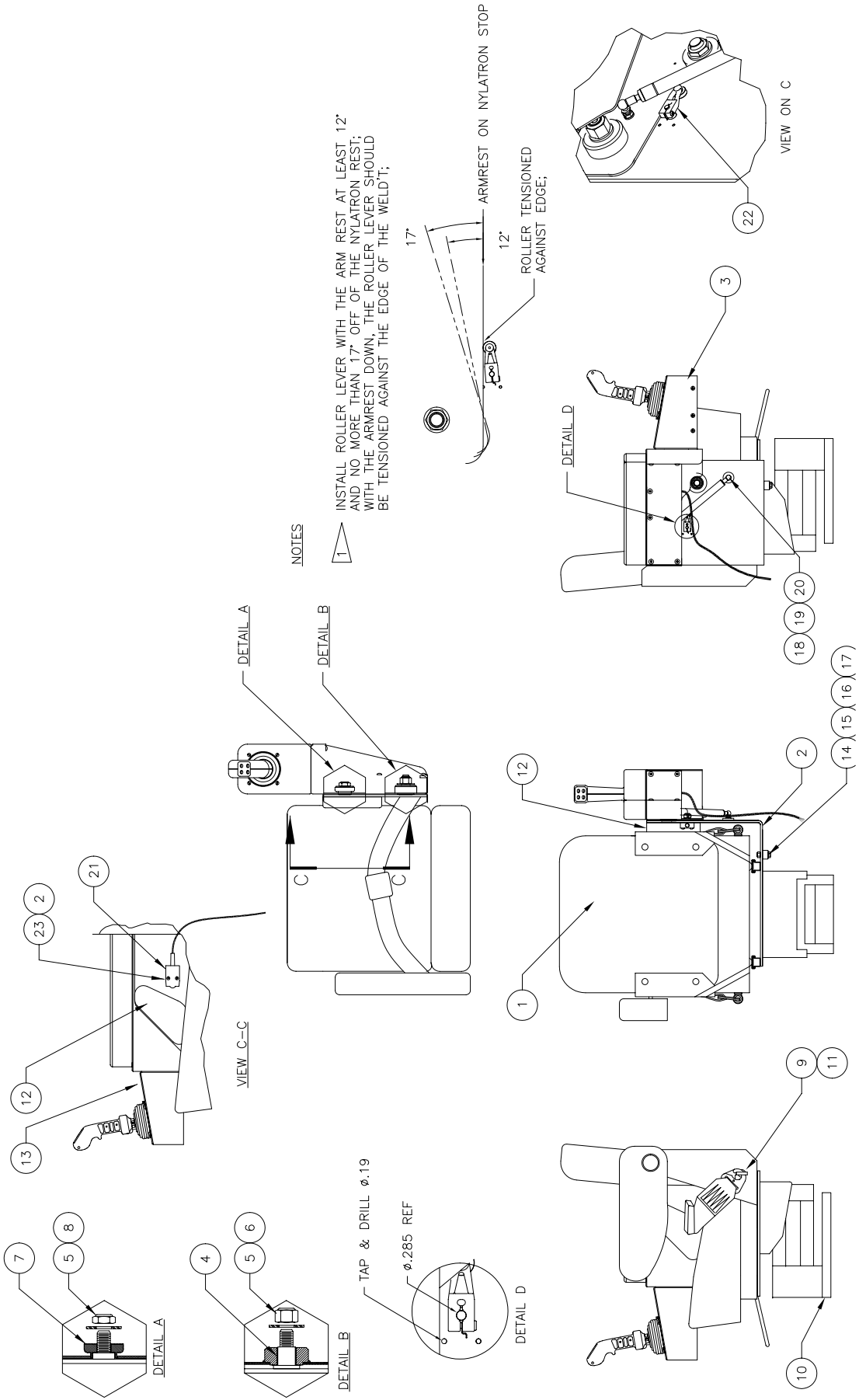

Seat Assembly



NOTES

1. INSTALL ROLLER LEVER WITH THE ARM REST AT LEAST 12" AND NO MORE THAN 17" OFF OF THE NYLATRON REST. WITH THE ARMREST DOWN, THE ROLLER LEVER SHOULD BE TENSIONED AGAINST THE EDGE OF THE WELD;

Seat Assembly

Item	Part No.	Qty	Description	Item	Part No.	Qty	Description
	580518		Seat Assembly				
1	249831	1	. Seat W/Lh Fold Up Arm	14	570819	1	. Washer
2	578224	1	. Seat Control Weldment	15	R13811036	1	. Capscrew
3	* 580519	1	. Armrest Assembly, Rh	16	R13806980	1	. Washer
4	207262	1	. Bearing, Nyliner	17	224131	1	. Nut
5	223187	2	. Washer	18	250040	1	. Spring, Gas
6	235461	1	. Nut	19	00114502	1	. Nut
7	704189	1	. Rest	20	201566	2	. Washer
8	00218443	1	. Nut	21	248949	1	. Switch, Limit
9	215096	1	. Belt, Safety	22	248950	1	. Lever, Roller
10	231800	1	. Pedestal & Swivel Assembly	23	R13085	2	. Capscrew
11	240259	1	. Kit, Seatbelt Hdwe				
12	577792	1	. Armrest, Rh Bolster				
13	561917	1	. Decal				
							* See Separate Coverage