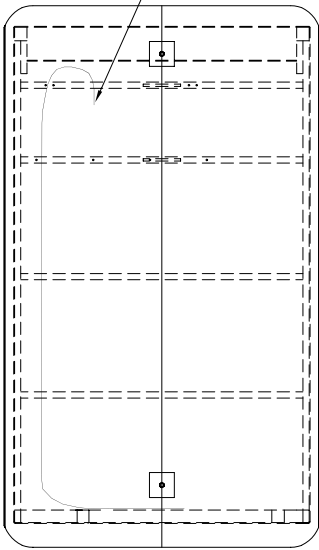


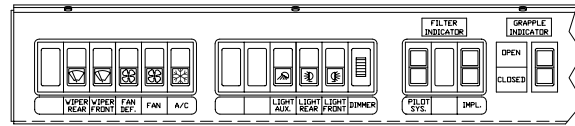
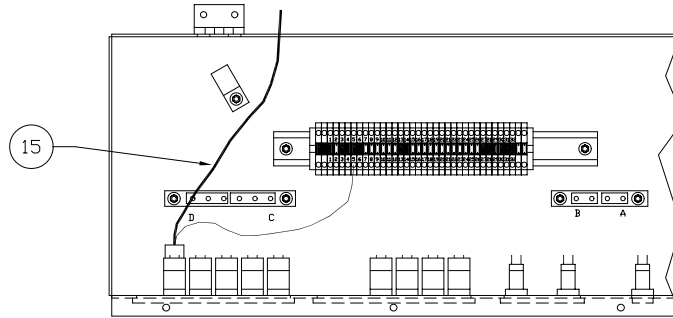
---

Wiper Assembly, Rear

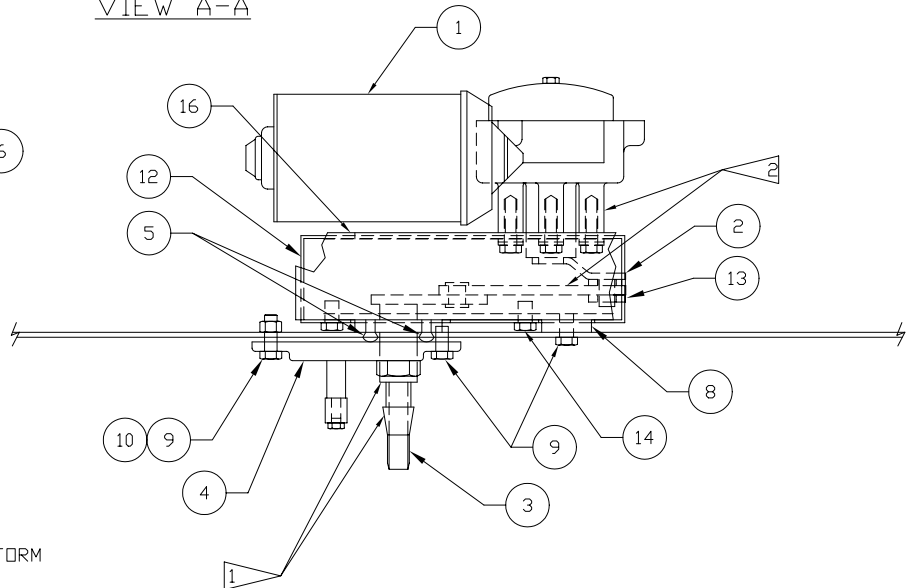
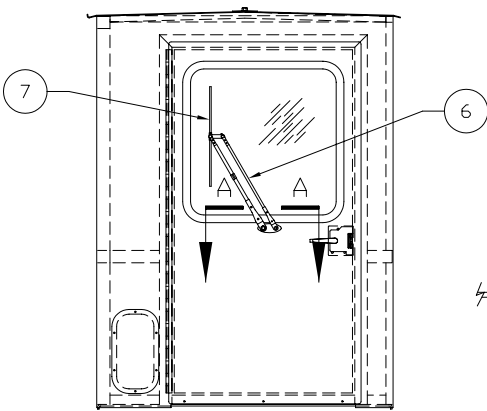
SEE CONSOLE DETAIL FOR CONTINUATION OF WIRING.



CONSOLE DETAIL



VIEW A-A



NOTE:

- 1. THESE PARTS ARE IN KIT FORM  
P/N 224662
- 2. THESE PARTS ARE IN THE HARDWARE KIT  
(P/N 235399) USED TO MOUNT THE MOTOR.

NOTE: FOR WIRING ORDER REFER TO WIRING DIAGRAM ON M/S

## Wiper Assembly, Rear

Item	Part No.	Qty	Description	Item	Part No.	Qty	Description
	<b>580515</b>		<b>Wiper Assembly, Rear</b>				
1	247681	1	. Motor, Wiper	9	234136	3	. Capscrew
2	247683	1	. Arm, Drive	10	235620	1	. Nut, Esna
3	248521	1	. Shaft, Pivot	12	247682	1	. Bracket, Wiper Motor
4	248522	1	. Adapter, Wiper	13	569736	2	. Bush
5	00100768	2	. Machine Screw	14	00181309	2	. Capscrew
6	250283	1	. Arm, Wiper	15	571577	1	. Wire Harness
7	221289	1	. Blade, Wiper	16	571573	1	. Plate, Cover
8	557784	1	. Spacer				