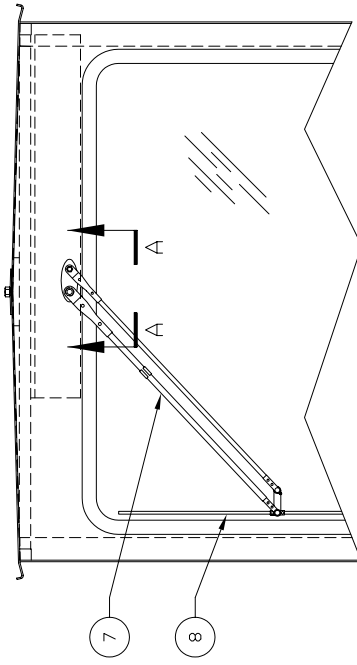
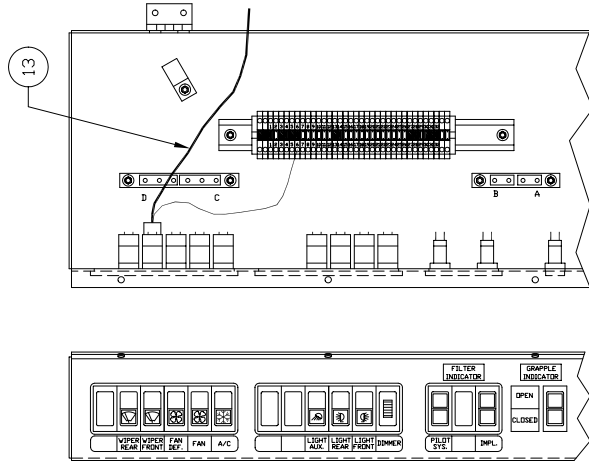


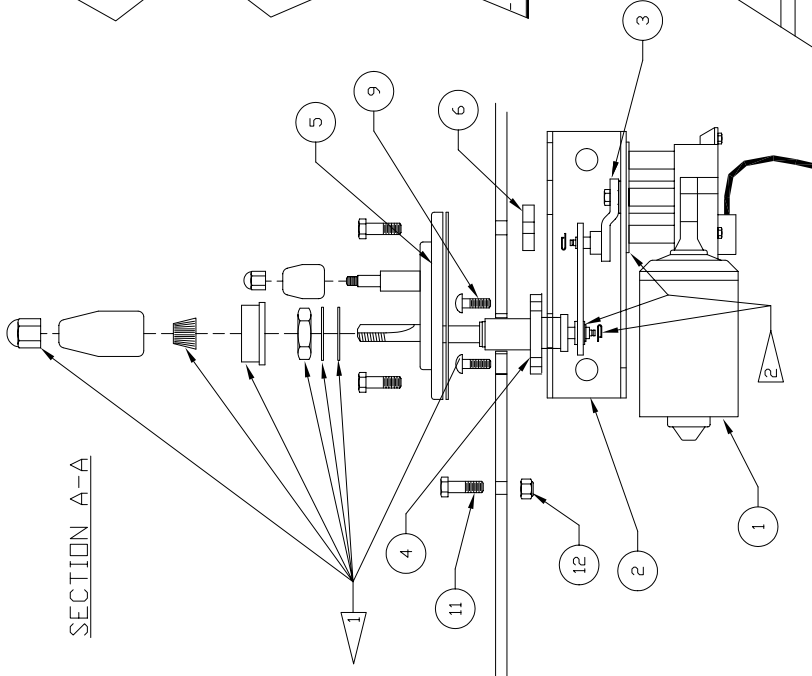
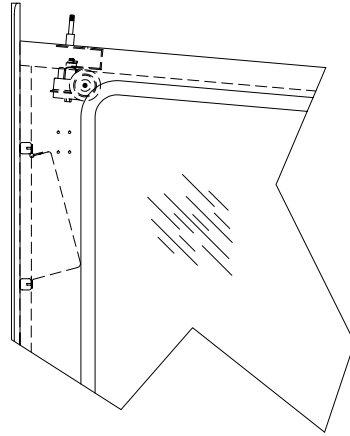
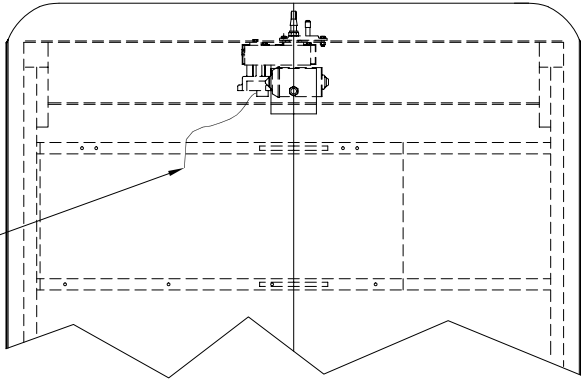
---

Wiper Assembly, Front

CONSOLE DETAIL



SEE CONSOLE DETAIL FOR WIRING CONTINUATION



- NOTE:
- 1. THESE PARTS ARE IN KIT FORM  
P/N 224662
  - 2. THESE PARTS ARE IN THE HARDWARE KIT  
(P/N 235399) USED TO MOUNT THE MOTOR.

NOTE: FOR WIRING ORDER REFER TO WIRING DIAGRAM ON M/S

## Wiper Assembly, Front

Item	Part No.	Qty	Description	Item	Part No.	Qty	Description
	<b>580514</b>		<b>Wiper Assembly, Front</b>				
1	247681	1	. Motor, Wiper	8	248520	1	. Blade, Wiper
2	247682	1	. Bracket, Wiper Motor	9	00100768	2	. Machine Screw
3	247683	1	. Arm, Drive	11	234136	3	. Capscrew
4	248521	1	. Shaft, Pivot	12	235620	1	. Nut, Esna
5	248522	1	. Adapter, Wiper	13	571576	1	. Wire Harness
6	557784	1	. Spacer				
7	248518	1	. Arm, Wiper				